

LED

# AQUAS 4 BY FORUM

The **AQUAS 4** series by FORUM is a line of extruded aluminum rectilinear luminaires approved for wet location, allowing for design consistency throughout wet and dry locations. The 4 is a 4 1/2" wide housing with a 4" aperture. Multiple mounting configurations are available including rigid stem, surface as well as wall mounted.

**AQUAS 4** can be lamped with T5 and T8 lamps, as well as LED.

**JOB:** \_\_\_\_\_ **TYPE:** \_\_\_\_\_

## LAMPING OPTIONS AT A GLANCE:



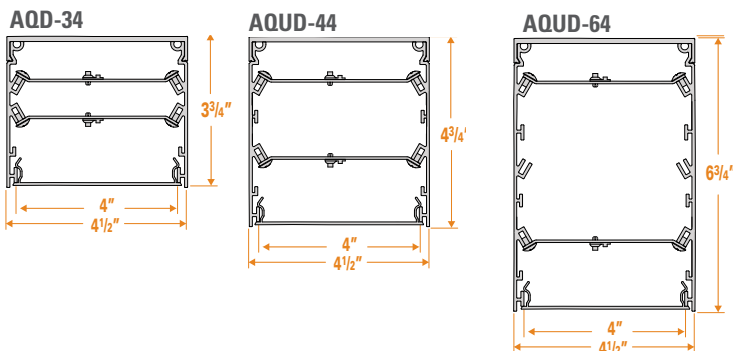
ALSO  
AVAILABLE IN



## ORDERING CODE

DISTRIBUTION	PROFILE	Indirect lm/ft LED temp	Direct lm/ft LED temp	Indirect	Direct	SHIELDING	MOUNTING	LENGTH	VOLTAGE	FINISH	OPTION 1	OPTION 2	OPTION 3
<b>AQD</b> Direct	<b>34</b> 3 3/4" height*	<b>65</b> 650 lm/ft 6.5 input watts/ft*	<b>27</b> 2700k temp 93.5% special order option			<b>SAT</b> Satin Lens*	<b>H</b> Stem Mount *	<b>1 2</b> 1' 2'	<b>120V</b>	<b>WH</b> White	<b>SF</b> Seam-Free End		<b>EMLED</b> LED battery pk
<b>AQU</b> Indirect	<b>44</b> 4 3/4" height	<b>95</b> 950 lm/ft 9.5 input watts/ft*	<b>30</b> 3000k temp 95.2%			<b>WOL</b> White Opal Lens*	<b>S</b> Surface Mount	<b>3 4</b> 3' 4'	<b>277V</b>	<b>SV</b> Silver	<b>F</b> Fusing		<b>SW</b> Separate Switch
<b>AQUD</b> Direct/Indirect	<b>64</b> 6 3/4" height	*assumes 4000k w/ satin lens <b>Lumen Multiplier =</b> % of 4000K Consult factory for limitations	<b>35</b> 3500k temp 96.8%			<b>CFA</b> Clear Frosted Acrylic**	<b>W</b> Wall Bracket Mount	<b>5 6</b> 5' 6'	<b>UNV</b> Universal	<b>BK</b> Black	<b>90 CRI</b> 90 CRI		<b>EC</b> Emergency Circuit
	*AQUD available in LED only		<b>40</b> 4000k temp 100%			*Direct Only **Indirect Only	*Spec. stem length:	<b>7 8</b> 8' 8'		<b>CC</b> Custom Color Provide custom color RAL#:	DIMMING OPTIONS		
			<b>50</b> 5000k temp 103%				Spec. run length:				<b>D10V</b> 0-10V dimming 1% power class	<b>DLA2</b> Lutron Hi-Lume 1% 2-wire LED driver (120V forward phase only)	
							Standard run length in even foot increments.				<b>DLA3</b> Lutron Hi-Lume 1% 3-wire LED driver	<b>DLA5</b> Lutron Hi-Lume 1% EcoSystem LED driver	
							Individual units cannot be joined in field to create runs.				<b>DLEH5</b> Lutron Hi-Lume 1%-H EcoSystem LED driver with soft-On, Fade-to-Black	<b>DLE55</b> Lutron 5-Series EcoSystem LED driver	
											<b>DALI</b> Digitally Addressable Lighting Interface	<b>DIM</b> Dimming Please specify dimming manufacturer/model (if required)	

## PROFILE DRAWINGS



## SPECIFICATIONS

**LISTING** All fixtures bare an AFL-CIO/IBEW union label and are UL listed for wall and mounting and wet location rated.

**DRIVER** 120V, 277V, and Universal Voltage available standard. Five year warranty. Please consult factory for special driver requirements.

**SHIELDING** Satin frosted and white opal lenses are snap in.

**MOUNTING** The Aquas 4 fixture can be mounted in various orientations including wall mount, stem mount, and surface mount. Please see supplemental documentation for mounting details.

**HOUSING** Consists of a single solid 6063-T5 extruded alloy profile. Built in individual pieces up to 8 ft in length. Individual fixtures cannot be joined in field to form continuous runs. Fixtures longer than 8 ft must be ordered as continuous runs.

**GEARTRAY / REFLECTOR** Integrated geartray and reflector made from .040" aluminum in a pre-paint white finish. Fully wired unit remains completely accessible from below via ballast panel.

**END FITTING** Applied end fitting is a standard .375" machined aluminum piece with concealed fasteners.

**LED SYSTEM** Forum utilizes a tunable LED system capable of supplying between 460-1610 lumens per foot. To specify specific lumen output other than standard 950 or 650, drop the last digit of the per foot lumen output desired, i.e. 400lm/ft. = 40LED35

\* Forum reserves the right to change this information at any time. UPDATED 03/15/17

\* Dimensions provided as general information. Please see shop drawings for specific rough-in dimensions.