

# FRAME BY FORUM

Sleek and simple geometric lines take architectural light to the next plateau. **FRAME** combines fundamental design form with the latest cutting edge LED technology. Minimalistic in form, limitless in application. Available in several standard portal configurations as well as source directional placement. Varied mounting configurations with a standard cordless power system.

## LAMPING OPTIONS AT A GLANCE:

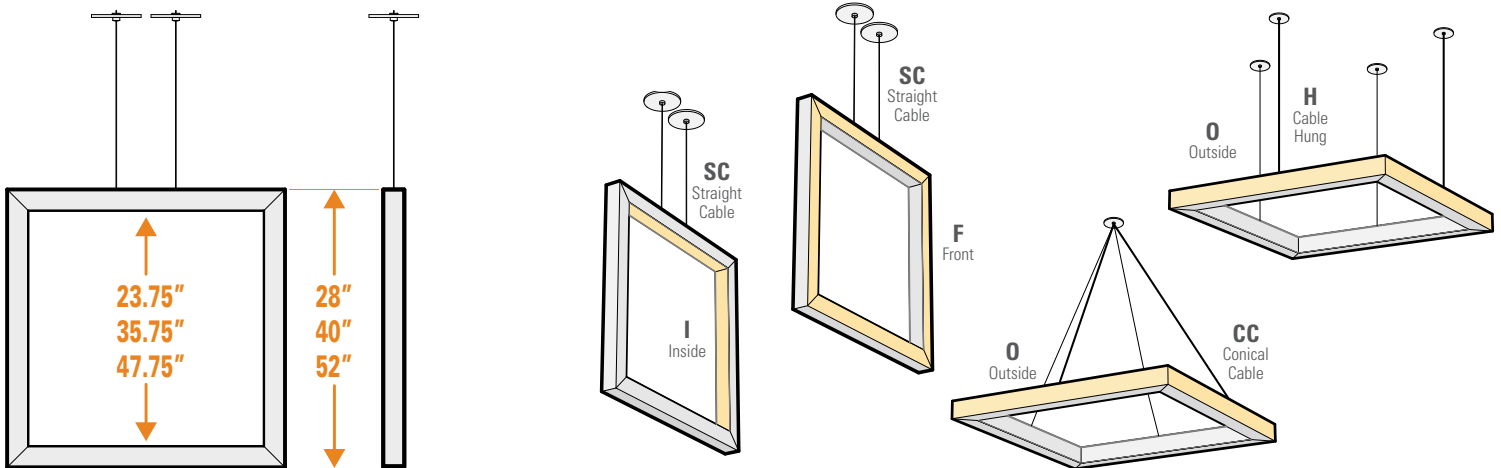


JOB: \_\_\_\_\_ TYPE: \_\_\_\_\_

## ORDERING CODE

FRM	SIZE	DIRECTION	LAMPING	SHIELDING	MOUNTING	FINISH	VOLTAGE	OPTION 1	
	2 2' Square	I Inside	110 110lm/ft	30 3000k temp	SAT Satin Lens	CC Conical Cable	WH White	120V EC Emergency Circuit	
	3 3' Square	F Front	35 3500k temp	WOL White Opal Lens	SC Straight Cable	S Silver	277V	DIMMING OPTIONS:	
	4 4' Square	O Outside	40 4000k temp		H Cable hung	BRZ Bronze	UNV Universal	DLA5 Lutron Hilume A-Series 5-wire	DLEH5 Lutron EcoSystem H-Series 5-wire
					S Standoff Surface	CC Custom Color Provide custom color RAL#:		DLE55 Lutron EcoSystem 5-Series 5-wire	DALI Digitally Addressable Lighting Interface
					*Spec. cable / stem / cantilevered length:				

## OVERVIEW DRAWINGS & MOUNTING OPTIONS



## SPECIFICATIONS

\* Forum reserves the right to change this information at any time UPDATED 3/4/15

**LISTING** All fixtures bare an AFL-CIO/IBEW union label and are UL listed for dry location. For alternative location configurations, please consult factory.

**DRIVER** 20V, 277V, and Universal Voltage available standard. 5 year warranty. Please consult factory for special driver requirements. Drivers are installed remotely by the installing contractor.

**SHIELDING** Satin frosted and white opal lenses are comprised of an acrylic blend optimized for maximum LED performance and snap into the fixture.

**MOUNTING** The FRAME fixture can be mounted in a number of orientations including wall mount, cable mount, stem mount, and surface mount.

**HOUSING** Consists of a single solid 6063-T5 extruded alloy profile. Built in 2', 3', 4' square.

**GEARTRAY / REFLECTOR** Integrated geartray and reflector made from 18 GA Aluminum in a high reflectance white finish. Fully wired units install into housing with self tapping hardware.