

# FRAME BY FORUM

Sleek and simple geometric lines take architectural light to the next plateau. **FRAME** combines fundamental design form with the latest cutting edge LED technology. Minimalistic in form, limitless in application. Available in several standard portal configurations as well as source directional placement. Varied mounting configurations with a standard cordless power system.

## LAMPING OPTIONS AT A GLANCE:

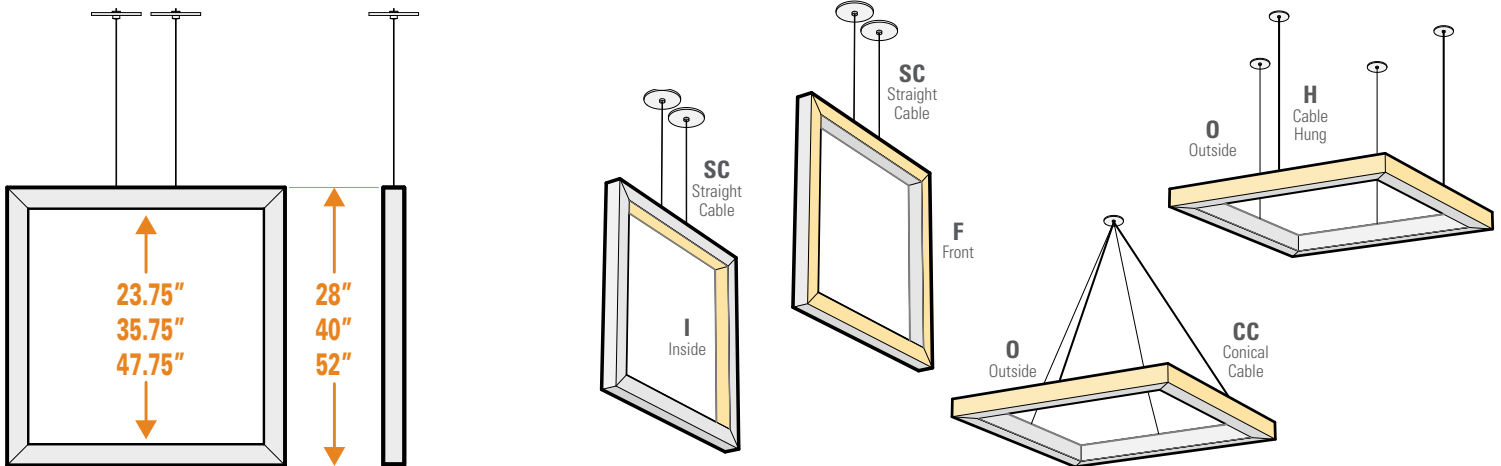


JOB: \_\_\_\_\_ TYPE: \_\_\_\_\_

## ORDERING CODE

| FRM | SIZE           | DIRECTION    | LAMPING          | SHIELDING              | MOUNTING  | FINISH  | VOLTAGE | OPTION 1                                  |  |
|-----|----------------|--------------|------------------|------------------------|---|---|---------|---|--|
|     | 2<br>2' Square | I<br>Inside  | 110<br>110lm/ft  | 30<br>3000k temp       | SAT<br>Satin Lens   | CC<br>Conical Cable                             | 120V    | EC<br>Emergency Circuit                   |  |
|     | 3<br>3' Square | F<br>Front   | 35<br>3500k temp | WOL<br>White Opal Lens | SC<br>Straight Cable  | SV<br>Silver                                    | 277V    | DIMMING OPTIONS:                          |  |
|     | 4<br>4' Square | O<br>Outside | 40<br>4000k temp |                        | H<br>Cable hung   | CC<br>Custom Color                              |         | UNV<br>Universal                          | DLA5<br>Lutron Hilume A-Series 5-wire            |
|     |                |              |                  |                        | S<br>Standoff Surface   | Provide custom color RAL#: <input type="text"/> |         | DLE55<br>Lutron EcoSystem 5-Series 5-wire | DALI<br>Digitally Addressable Lighting Interface |
|     |                |              |                  |                        | *Spec. cable / stem / cantilevered length: <input type="text"/> |   |         |   |  |

## OVERVIEW DRAWINGS & MOUNTING OPTIONS



## SPECIFICATIONS

\* Forum reserves the right to change this information at any time UPDATED 3/4/15

**LISTING** All fixtures bare an AFL-CIO/IBEW union label and are UL listed for dry location. For alternative location configurations, please consult factory.

**DRIVER** 20V, 277V, and Universal Voltage available standard. 5 year warranty. Please consult factory for special driver requirements. Drivers are installed remotely by the installing contractor.

**SHIELDING** Satin frosted and white opal lenses are comprised of an acrylic blend optimized for maximum LED performance and snap into the fixture.

**MOUNTING** The FRAME fixture can be mounted in a number of orientations including wall mount, cable mount, stem mount, and surface mount.

**HOUSING** Consists of a single solid 6063-T5 extruded alloy profile. Built in 2', 3', 4' square.

**GEARTRAY / REFLECTOR** Integrated geartray and reflector made from 18 GA Aluminum in a high reflectance white finish. Fully wired units install into housing with self tapping hardware.