

LED

REFLECTION 4 BY FORUM

The Forum **REFLECTION 4** sets a new bench mark in value performance quotient. A minimal 2" x 4" 18 gauge cable suspended rectilinear steel housing contains a high performance LED light engine. Utilizing the latest LED system components, **REFLECTION 4** provides numerous distribution configurations and output platforms. From conception, the **REFLECTION 4** has been designed to be easy to specify as well as install. At this performance level and price point, the **REFLECTION 4** is unrivaled.

JOB: _____ **TYPE:** _____

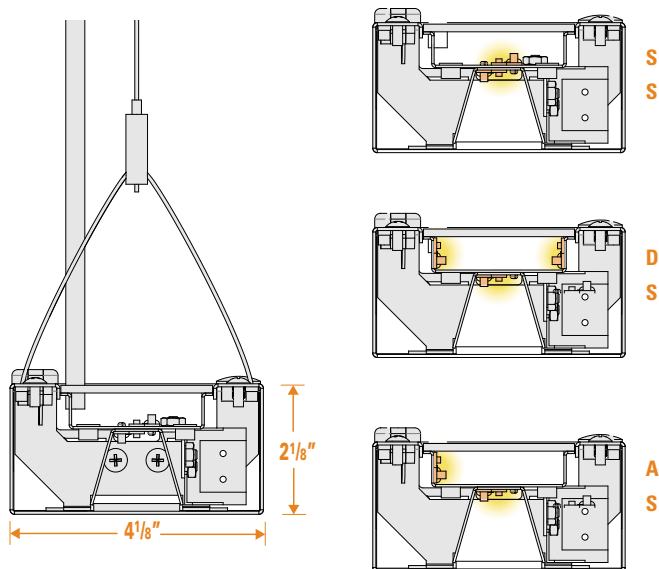
LAMPING OPTIONS AT A GLANCE:



ORDERING CODE

		Indirect				Direct								
- 24 -		- lm/ft LED temp -		/ - lm/ft LED temp -		- C X -		-		-		-		
DISTRIBUTION	PROFILE	LIGHTING OUTPUT	COLOR	LENS	LIGHTING OUTPUT	COLOR	LENS	MOUNTING	LENGTH	VOLTAGE	FINISH	OPTION 1	OPTION 2	OPTION 3
RFLD Direct	24 2 1/8" height	LIGHTING	OUTPUT				SHIELDING	C Cable Mount	INDIVIDUAL LENGTHS	120V	WH White	EMLED LED battery pk	SW Separate Switch	
RFLU Indirect		S Single Row	65 lm/ft	27* temp	SAT Satin Lens	STANDARD LENGTHS	3 3' 4 4'	277V	SV Silver	EC Emergency Circuit	F Fusing			
RFLUD Direct/Indirect		D* Dual Row	95 lm/ft	30 temp	WOL White Opal Lens	18" 24"	6 6' 8 8'	UNV Universal	BK Black	DIMMING OPTIONS				
		A* Asymmetric	110 lm/ft	35 temp	CFA* Clear Frosted Lens	48" 72"	XX xx' Spec. run length in multiples of 3' and/or 4':	Provide custom color RAL#:	D10V 0-10V dimming		DLA2 Lutron Hi-lume 1% 2-wire LED driver (120V forward phase only)			
		NA None	170 lm/ft	40 temp	* Available in indirect only	96" 120"	DLA3 Lutron Hi-lume 1% 3-wire LED driver		DLA5 Lutron Hi-lume 1% EcoSystem LED driver					
		50 5000k temp		*Spec. cable length:		DLA4 Lutron Hi-lume 1% 3-wire LED driver		DLE55 Lutron 5-Series EcoSystem LED driver						
		Custom Output (consult factory for min/max)				Individual units cannot be joined in field to create runs.		DLEH5 Lutron Hi-lume 1%-H EcoSystem LED driver with soft-On, Fade-to-Black		DALI Digitally Addressable Lighting Interface		DIM Dimming Please specify dimming manufacturer/model (if required)		
		* Available in indirect ONLY		LED lm/ft temp										
				*Special order only										

PROFILE DRAWINGS



SPECIFICATIONS

LISTING All fixtures bare an AFL-CIO/IBEW union label and are ETL listed. For alternative environmental certifications, please consult factory.

DRIVER 120V, 277V, and Universal Voltage available standard. Five year warranty. Please consult factory for special driver requirements.

SHIELDING Satin frosted, White opal, and LED Optimized Clear acrylic lenses are lay-in for the indirect component and captured by housing on the direct component.

MOUNTING The SSUD24 fixture is only offered in cable mounting with a variety of field-cutable standard self leveling cable lengths.

HOUSING Housing consists of a formed 18 ga. cold-rolled steel sheet in lengths of 3, 4, 6, or 8 ft. Fixtures can be ordered to form continuous runs in multiples of 3 and/or 4 ft. Downlight openings only in lengths of 3 or 4 ft nominal.

GEARTRAY / REFLECTOR Geartray and reflector are made from .040" aluminum with a pre-paint semi-gloss high reflective white finish. Fully wired unit is snapped into place without hardware and requires no special tools to remove for driver access.

END FITTING Applied end Fitting is a standard 1/4" machined aluminum piece with concealed fasteners adding 3/8" to the overall fixture length.

LED SYSTEM Forum utilizes a tunable LED system capable of supplying between 350 and 1700 lumens per LED component per foot of LED component. To specify specific lumen output, replace the first two numbers of the specification with the first two numbers of the desired lumen output, i.e. 400lm/ft. with 3500K lamps = 40LED35

* Forum reserves the right to change this information at any time. UPDATED 01/04/17

* Dimensions provided as general information. Please see shop drawings for specific rough-in dimensions.