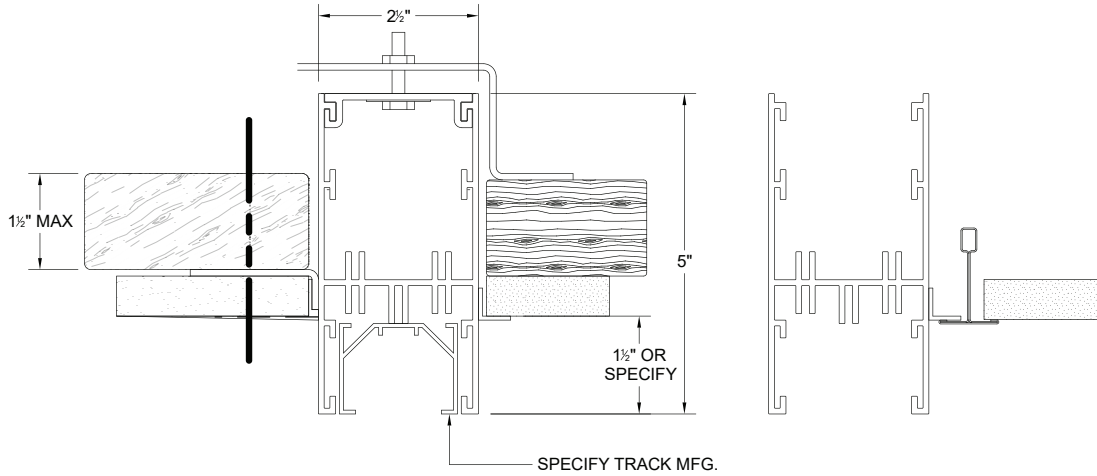


ALUMINA 525
EXTRUDED ALUMINUM SERIES
5" x 2 1/2" RECTILINEAR



ORDERING CODE

Mini Forecast Rectilinear Direct Aluminum Track Series	Mounting: SR = Semi-Recessed	Ceiling Trim: TG = ACT Ceiling F = Overlap Gyp Flange FF = Mud-in Gyp Flange	Nominal Housing Dimensions H x W	Length: 3 = 3' 4 = 4' 6 = 6' 8 = 8' 12 = 12' XX = Run Length in Feet	Voltage: 120 = 120 V 277 = 277 V UNV = Universal	Finish: WH = White (Standard) CC = Custom Color AZ = Anodized	End Treatment: ME = Machined End SF = Seam Free End	Track*: CST = Customer Supplied Track JT1 = Juno Single Circuit Track HT1 = Halo Single Circuit Track LSH = LSI Single Circuit Track /B = Black Track /W = White Track /S = Silver Track	Options: EC = Emergency Circuit EM1 = 550 Lumen EBP* EM2 = 1100 Lumen EBP* DIM = Dimming** F = Fusing
SADT	- SR	- <input type="text"/>	525 x <input type="text"/>	- <input type="text"/>	- <input type="text"/>	- <input type="text"/>	- <input type="text"/>	- <input type="text"/>	- <input type="text"/>

* Consult Factory
** Specify Manufacturer

Numerous configurations are possible integrating track and ambient illumination, please contact factory to configure each system to your particular needs

SPECIFICATION **NOTES**

- HOUSING:** Comprised of single one piece extruded profile to provide a nominal 5 x 2 1/2 housing envelope. 6063-T5 alloy is used to achieve a minimum wall thickness of 0.070". All housings are finished through a multistage triphosphor wash cycle followed by the electrostatic application of a polyester hybrid powder coat which is then baked on to achieve a uniform white finish. Custom colors are available to the designer.
- END FITTINGS:** Applied end fitting options give the designer vast flexibility in the final appearance of the luminous system. Standard, a flat end of .090" thick aluminum minimum is applied with concealed fasteners, providing a hairline seam that compliments the clean lines of the rectilinear shape.
- REFLECTOR:** When coupled with ambient lighting component, a computer enhanced design is applied to a 22 gauge aluminum sub straight. The reflector is coated with an optically pure white finish that provides a minimum reflectance of 92%.
- BALLAST:** When coupled with ambient lighting component each Luminaire is provided with an electronic ballast. Standard, a multi-lamp high power factor, low THD universal voltage product is used. If a project requires a specific performance ballast please contact the factory for availability.
- TRACK:** Standard configuration calls for black Juno style track, factory supplied. Customer specified track of choice is optional, consult factory for more information
- MOUNTING:** Semi-recessed housing system, configured to the particular ceiling system specific to each application.
- LISTINGS:** All fixtures bare an AFL-CIO/IBEW union label and are UL listed for damp location.
- CONFIGURATIONS:** Numerous configurations are possible integrating track and ambient illumination, please contact factory to configure each system to your particular needs