



# FORUM CORINTHIA

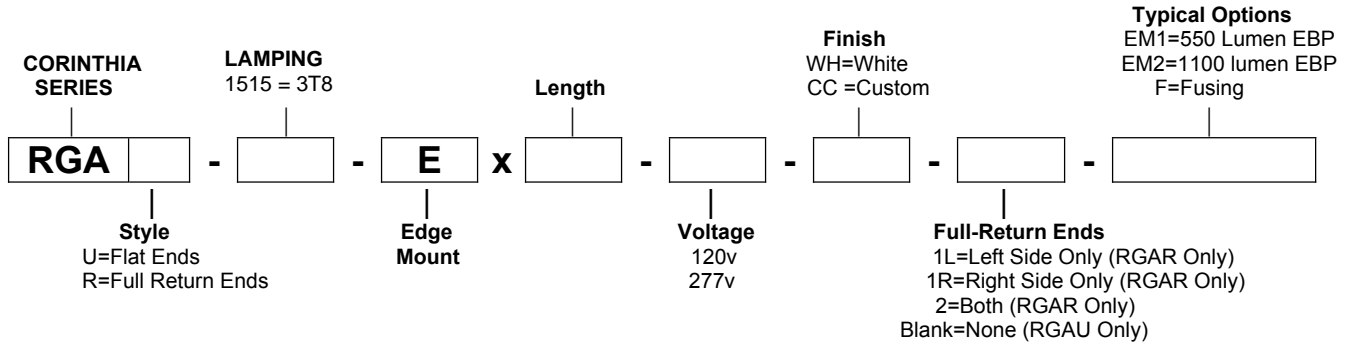
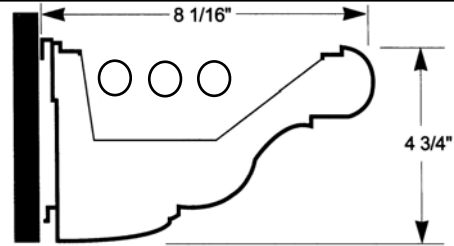
JOB \_\_\_\_\_

TYPE \_\_\_\_\_

**DESCRIPTION:** The FORUM/CORINTHIA fixture provides an indirect general illumination where quality lighting is required to meet specific tasks.

**APPLICATIONS:** Classrooms, Office Areas, Libraries, Churches, Lobbies, Retail Stores, Design Centers and Corridors.

**MOUNTING HEIGHTS:** The top of the fixture to ceiling should be a minimum of 18" for all fixtures (see mounting sheet for detail information.)



## CANDLEPOWER SUMMARY

### SPECIFICATIONS:

The FORUM/CORINTHIA housing shall be a nominal 4 3/4" high x 8 1/16" wide consisting of heavy gauge aluminum extrusion 6063-T5 alloy (.110" minimum wall thickness). Sockets shall be prewired and factory installed. The optional full return ends shall be mitered, welded and ground smooth for a soft continuous appearance. Standard continuous single sections shall be 16 feet. Standard finish shall be white consisting of a high solids baked polyester paint pretreated with a five (5) stage cleaning/conversion coating rust inhibitor. Other painted architectural finishes available as well as satin anodized.

**REFLECTOR:** Reflector shall be die formed 22 gauge aluminum with 86% reflectivity.

**BALLAST:** Ballast shall be electronic instant start <20% THD standard.

**PRODUCT LISTING:** Shall be U.L./CUL listed, for damp locations.

**CATALOG NO.:** RGAR-05  
**LAMP TYPE:** F32T8/SP35/RS  
**LUMENS:** 2900  
**FIXTURE EFFICIENCY:** 79.3%  
**LUMINAIRE INPUT WATTS:** 38  
**TEST REPORT NO.:** B.A.L. 7734.0

**CATALOG NO.:** RGAR-0505  
**LAMP TYPE:** F32T8/SP35/RS  
**LUMENS:** 2900  
**FIXTURE EFFICIENCY:** 75.4%  
**LUMINAIRE INPUT WATTS:** 62  
**TEST REPORT NO.:** B.A.L. 7735.0

