



FORUM CORINTHIA DIRECT/INDIRECT

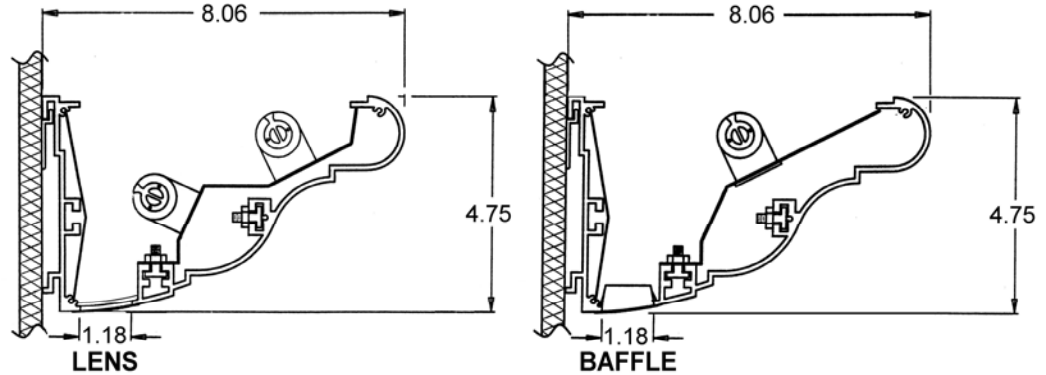
JOB _____

TYPE _____

DESCRIPTION: The FORUM/CORINTHIA fixture provides an indirect general illumination where quality lighting is required to meet specific tasks.

APPLICATIONS: Classrooms, Office Areas, Libraries, Churches, Lobbies, Retail Stores, Design Centers and Corridors.

MOUNTING HEIGHTS: The top of the fixture to ceiling should be a minimum of 18" for all fixtures (see mounting sheet for detail information.)



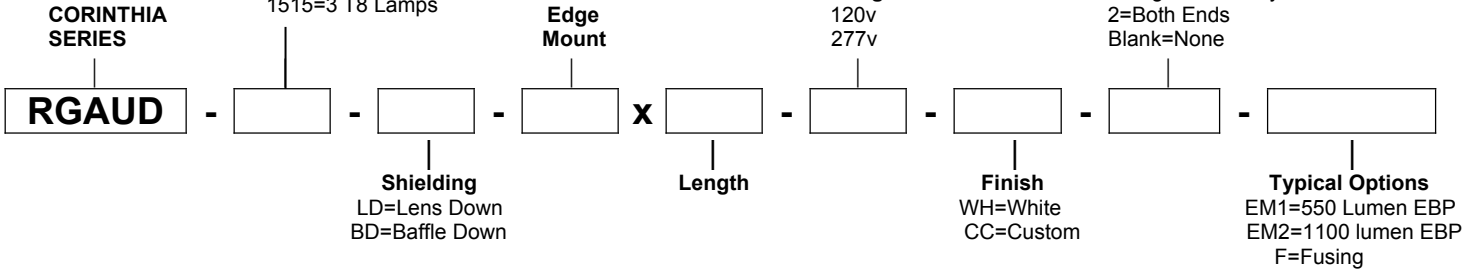
Lamping

- 03=1 T5 Lamp 03H=1 T5HO Lamp
- 0303=2 T5 Lamps 0303H=2 T5 Lamps
- 05=1 T8 Lamp 0505=2 T8 Lamps
- 1313= 3 T5 Lamps 1313H= 3 T5HO Lamps
- 1515=3 T8 Lamps

- Voltage**
120v
277v

Full-Return Ends

- 1L=Left Side Only
- 1R=Right Side Only
- 2=Both Ends
- Blank=None



SPECIFICATIONS:

The FORUM/CORINTHIA housing shall be a nominal 4 3/4" high x 8 1/16" wide consisting of heavy gauge aluminum extrusion 6063-T5 alloy (.110" minimum wall thickness). Sockets shall be prewired and factory installed. The optional full return ends shall be mitered, welded and ground smooth for a soft continuous appearance. Standard continuous single sections shall be 16 feet. Standard finish shall be white consisting of a high solids baked polyester paint pretreated with a five (5) stage cleaning/conversion coating rust inhibitor. Other painted architectural finishes available as well as satin anodized.

REFLECTOR: Reflector shall be die formed 22 gauge aluminum with 86% reflectivity.

SHEILDING: Shall be either a 1/2" high Aluminum Cross Baffle or a .125" thick Acrylic Lens

BALLAST: Ballast shall be electronic instant start <20% THD standard.

PRODUCT LISTING: Shall be U.L./CUL listed, for damp locations.