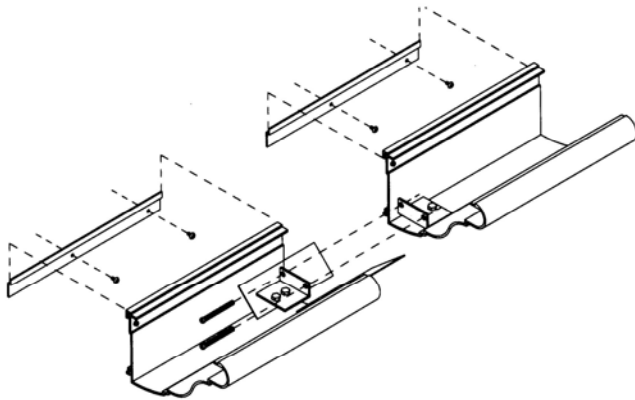




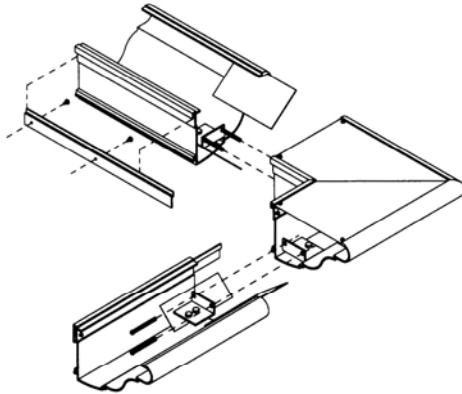
# FORUM CORINTHIA

MOUNTINGS / ACCESSORIES



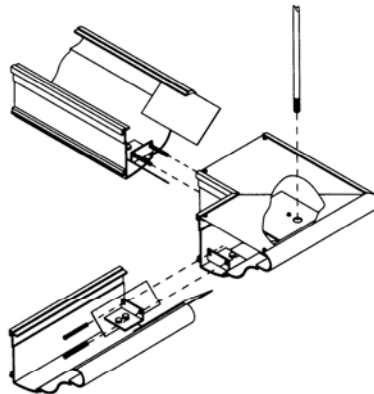
### EDGE MOUNTED

The RGAU series fixture can be edge mounted using the "EZ" mounting rail. Simply mount the rail level to the correct elevation first. Then hang the fixture on the "EZ" rail and complete the supply wire connection. The "EZ" rail simplifies the installation process.



### Corners

All CORINTHIA corners are hand fabricated from extruded aluminum. The corners all welded for strength and hand finished for a smooth and seamless appearance.



### Pendant Suspension (Stem or Cable)

The CORINTHIA can be provided with pendant suspension for grid installations only. Standard stem length is 18" and has a plus or minus 1/2" adjustment. A 5/8" deep round canopy and 22 degree swivel hanger are also standard. All mounting hardware is included.