

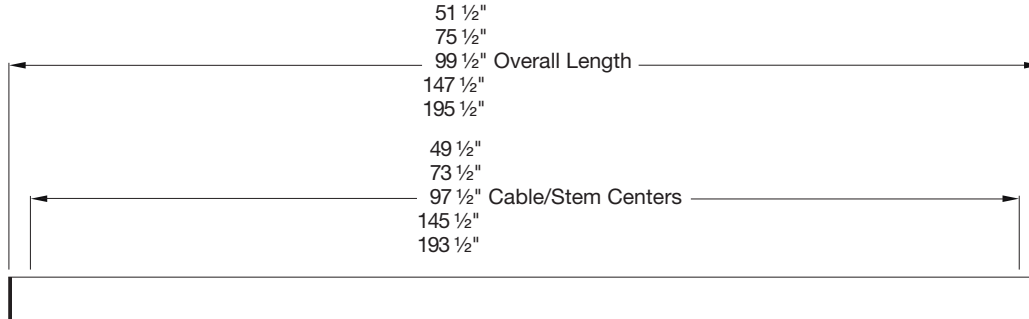


FORUM

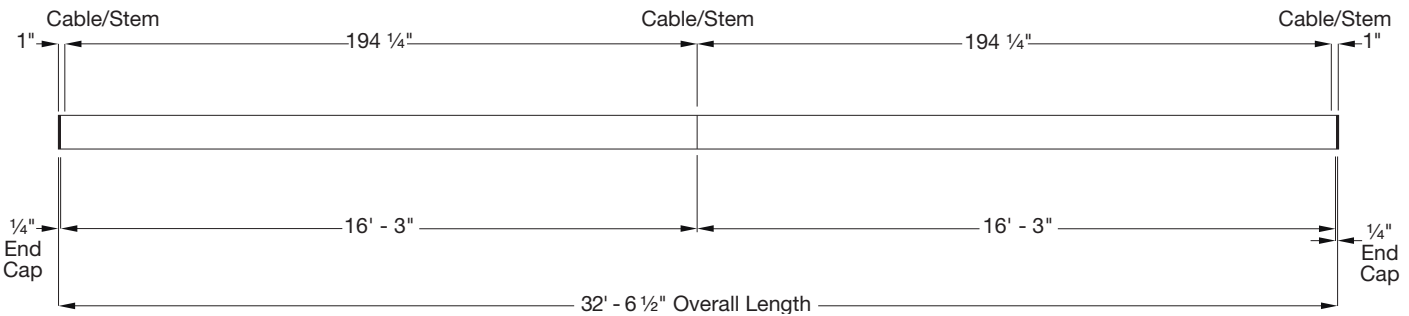
SMALL BODIED
CORINTHIA HANG
MOUNT LINEAR

MOUNTINGS / ACCESSORIES

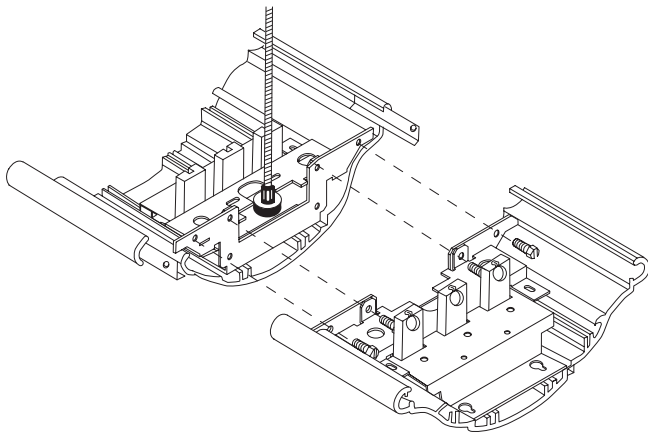
Individual Fixtures



Typical Run

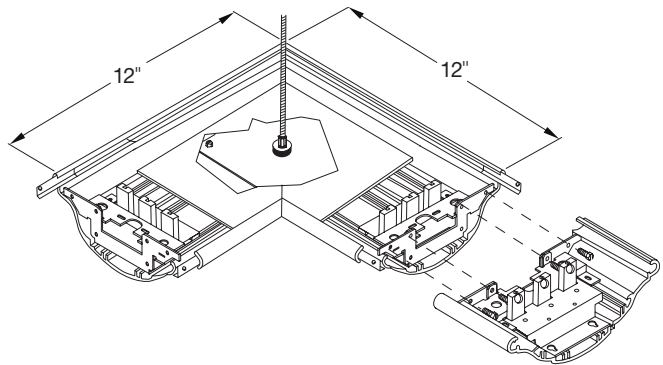


Joining Two Fixtures



Joining Two Fixtures: Die formed joiners and bottom aligners installed at the factory enable fixture sections to be easily joined together resulting in a hair-line seam and uninterrupted light at any desired length. Plug through wiring ensures appropriate electrical connections.

Mitered Corner



Corners: All CORINTHIA corners are hand fabricated from extruded aluminum. The corners are welded for extra strength and hand finished for a smooth and seamless appearance.