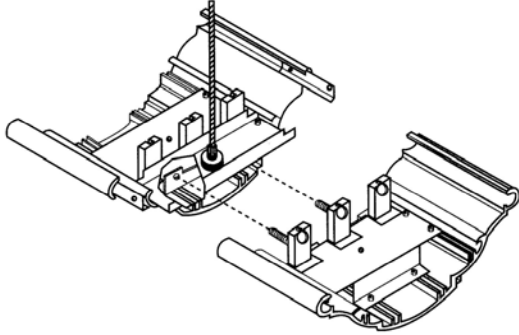




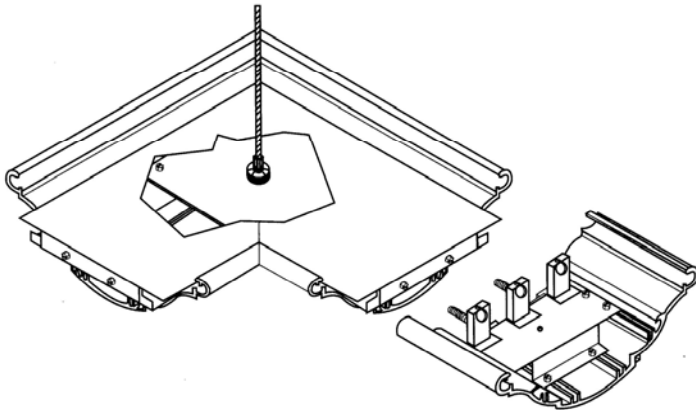
# FORUM CORINTHIA HANG MOUNT LINEAR

## MOUNTINGS/ACCESSORIES AND HOW TO SPECIFY



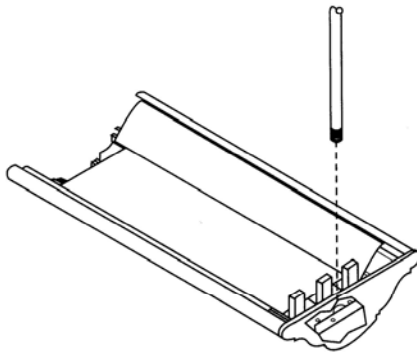
### Fixture Length

Continuous fixture sections of up to 16 feet can be provided for ease of installation and aesthetics. Fixture section can be joined together resulting in a hair-line seam and uninterrupted light of any desired length.



### Cable Support

Cable can be used in place of stems to give the fixture a floating effect. The Forum hanging system is adjustable at the fixture. One fingertip push of the release pin and the cable gripper moves easily and exactly to the desired position. When used at a feed location, a coil cord (standard) or straight cord is required (white standard). For cable mounting, the contractor must install a 1/4" x 20 stud, extending 3/4" below the ceiling.



### Stem Support

Standard stem length is 18" and has a plus or minus 1/2" adjustment. A round canopy and 22 degree swivel hanger are also standard. All mounting hardware is included.