



# FORUM

## FLYTE .5

JOB \_\_\_\_\_

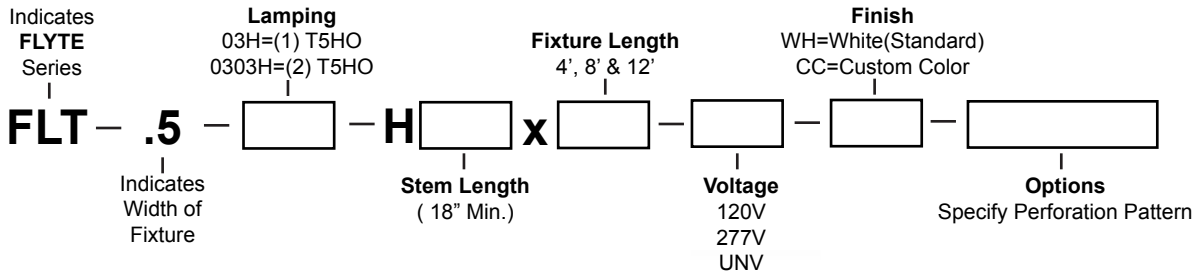
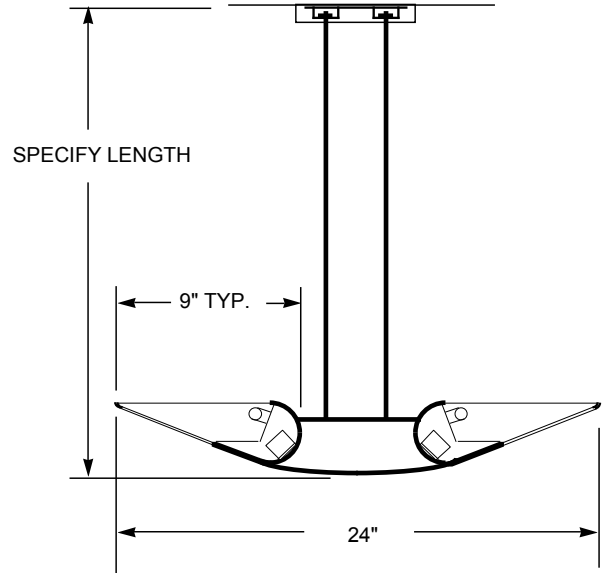
TYPE \_\_\_\_\_

**DESCRIPTION:** The FORUM/FLYTE .5 is a highly styled indirect lighting fixture, designed to provide even illumination. The FLYTE combines high quality aluminum extrusions with thoughtfully designed castings and perforated metal panels for visual comfort.

**APPLICATIONS:** Designed to complement contemporary spaces, including Retail Malls, Airports, Conference Rooms, Libraries and Lobbies.

**MOUNTING:** The top of the fixture to the ceiling distance should be a minimum of 18" for all fixtures.

**SPECIAL FEATURES:** Dramatic styling for open, contemporary spaces. Design details include high quality aluminum extrusions, functional yet aesthetically pleasing castings, and a wide variety of perforated patterns. Efficient beam pattern for comfortable lighting in any environment.



**SPECIFICATION:**

**HOUSING:** Shall be .090" aluminum extrusion 6063-T5 alloy for structural rigidity.

**BRACKET:** Shall be .375" aluminum mechanically fastened to the extrusion.

**REFLECTOR:** Die formed .025 white aluminum with 86% reflectivity.

**ENDS:** Shall be .125" thick aluminum mechanically fastened to the extrusion.

**PERFORATED PANELS:** Shall be 18 ga. CRS 4' long with 1/4" dia. holes. Specify hole pattern.

**OVERLAY:** Shall be .040" thick opal acrylic located above perforated panels.

**STEMS:** Shall be 5/8" or 3/8" dia. steel threaded on both ends.

**HANGER BRACKET:** Shall be 14 ga. steel mounting plate with (2) steel hanger brackets.

**CANOPY:** Shall be formed 20 ga. cold rolled steel.

**BALLAST:** Shall be electronic.

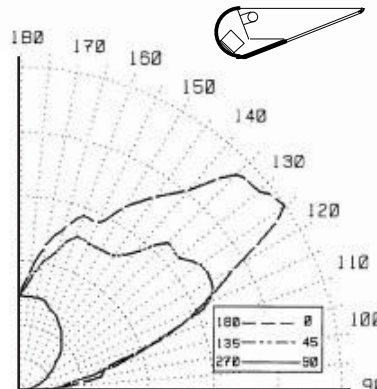
**PRODUCT LISTING:** Shall be U.L./CUL listed for damp locations.

**CANDLEPOWER SUMMARY - ONE SIDE ONLY**

**CATALOG NO.:** FLT-5-03H-120-WH  
**LAMP TYPE:** FP54T5HO/835  
**LUMENS:** 5000  
**LUMINAIRE INPUT WATTS:** 63.0w  
**TEST REPORT NO.:** B.A.L.12291.0

**CANDELLA DISTRIBUTION**

	0.0	45.0	90.0	135.0	180.0
0	0	0	0	0	0
5	0	0	0	0	0
15	0	0	0	0	0
25	0	0	0	0	0
35	0	0	0	0	0
45	0	0	0	0	0
55	0	0	0	0	0
65	0	0	0	0	0
75	0	0	0	0	0
85	0	0	0	0	0
90	0	0	0	0	0
95	232	255	24	14	10
105	667	750	105	177	155
115	1501	1555	214	390	385
125	2415	1645	322	494	607
135	2284	1562	444	810	694
145	1768	1235	541	951	981
155	1382	1214	628	891	1098
165	1250	1084	700	805	914
175	890	818	704	692	708
180	708	708	708	708	708



**ZONAL LUMEN SUMMARY**

ZONE	LUMENS	%LAMP	%FIXT
0-30	0	0	0
0-40	0	0	0
0-60	0	0	0
0-90	0	0	0
90-120	1333	26.7	28.9
90-130	2294	45.9	49.8
90-150	3806	76.1	82.6
90-180	4606	92.1	100
0-180	4606	92.1	100