



FORUM

FLYTE 1.0

JOB _____

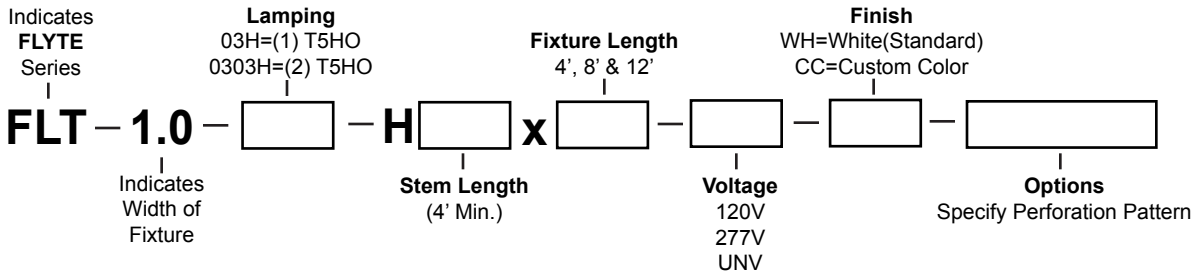
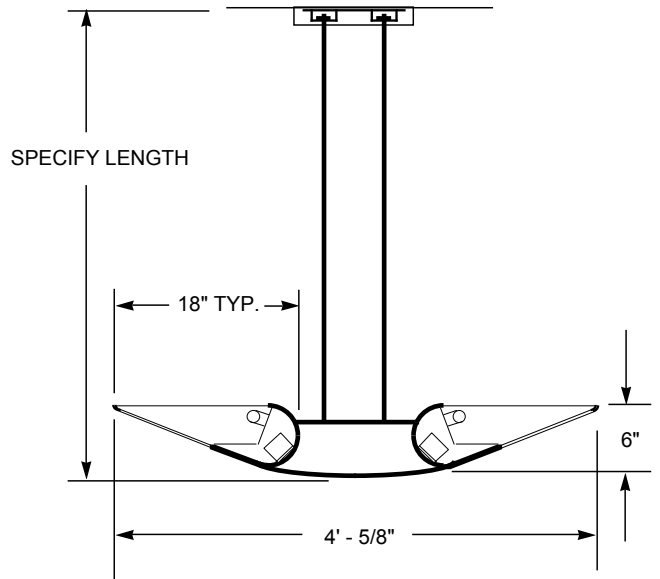
TYPE _____

DESCRIPTION: The **FORUM/FLYTE 1.0** is a highly styled indirect lighting fixture, designed to provide even illumination. The **FLYTE** combines high quality aluminum extrusions with thoughtfully designed castings and perforated metal panels for visual comfort.

APPLICATIONS: Designed to complement contemporary spaces, including Retail Malls, Airports, Conference Rooms, Libraries and Lobbies.

MOUNTING: The top of the fixture to the ceiling distance should be a minimum of 48" for all fixtures.

SPECIAL FEATURES: Dramatic styling for open, contemporary spaces. Design details include high quality aluminum extrusions, functional yet aesthetically pleasing castings, and a wide variety of perforated patterns. Efficient beam pattern for comfortable lighting in any environment.



SPECIFICATION:

HOUSING: Shall be .125" aluminum extrusion 6063-T5 alloy for structural rigidity.

BRACKET: Shall be .375" aluminum mechanically fastened to the extrusion.

REFLECTOR: Die formed .025 white aluminum with 86% reflectivity.

ENDS: Shall be .250" cast aluminum mechanically fastened to the extrusion.

PERFORATED PANELS: Shall be 18 ga. CRS 4' long x 10" wide with 1" dia. holes, 1 1/4" staggered spacing and a 1/2" margin around outside edges.

OVERLAY: Shall be .040" thick opal acrylic located above perforated panels.

STEMS: Shall be 5/8" dia. steel threaded on both ends.

HANGER BRACKET: Shall be 14 ga. steel mounting plate with (2) steel hanger brackets.

CANOPY: Shall be formed 20 ga. cold rolled steel.

BALLAST: Shall be electronic.

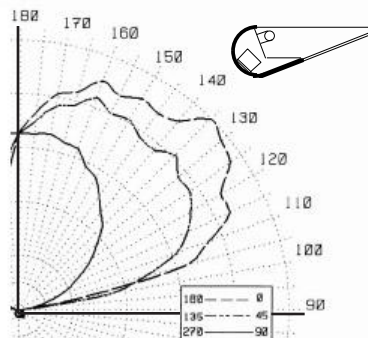
PRODUCT LISTING: Shall be U.L./CUL listed for damp locations.

CANDLEPOWER SUMMARY - ONE SIDE ONLY

CATALOG NO.: FLT-1.0-03H-120-WH
LAMP TYPE: FP54T5HO/835
LUMENS: 5000
LUMINAIRE INPUT WATTS: 65.0w
TEST REPORT NO.: B.A.L.12812.0

CANDELLA DISTRIBUTION

	0.0	45.0	90.0	135.0	180.0
0	45	45	45	45	45
5	46	45	45	42	42
15	48	47	44	42	38
25	49	46	36	35	32
35	54	46	33	26	23
45	45	39	21	16	13
55	36	30	14	5	2
65	30	24	4	0	0
75	24	17	0	0	0
85	14	7	0	0	0
90	14	7	0	0	0
95	51	74	36	16	14
105	1085	811	175	45	35
115	1458	1164	365	89	68
125	1616	1303	558	162	130
135	1696	1378	747	222	196
145	1508	1322	880	298	253
155	1484	1361	994	386	327
165	1421	1332	1088	552	449
175	1246	1189	1108	927	828
180	1110	1110	1110	1110	1110



ZONAL LUMEN SUMMARY

ZONE	LUMENS	%LAMP	%FIXT
0-30	35	.7	.9
0-40	58	1.2	1.5
0-60	94	1.9	2.5
0-90	118	2.4	3.1
90-120	1091	21.8	29
90-130	1729	34.6	45.9
90-150	2857	57.1	75.9
90-180	3644	72.9	96.9
0-180	3762	75.2	100