

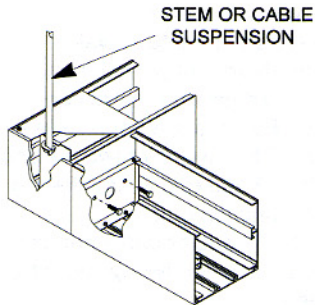


FORUM FORECAST

MOUNTINGS / ACCESSORIES

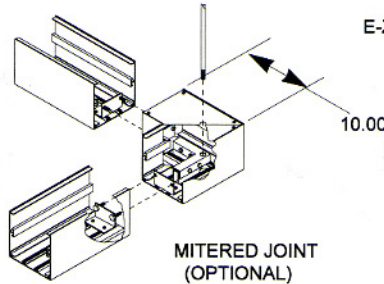
Corners - Inside or Outside 90 Degrees

For wall mounted applications allow 10 1/2" for corners and wall mounting bracket.
For corners other than 90 degrees, contact your Forum Factory Representative.

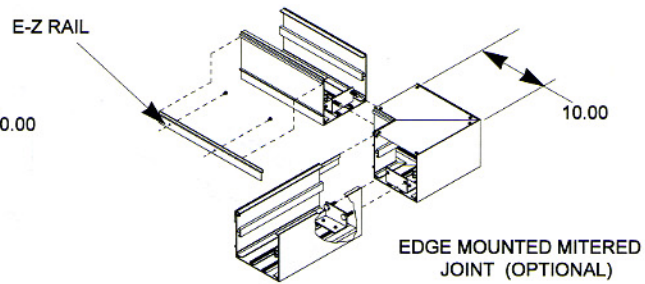


STEM OR CABLE
SUSPENSION

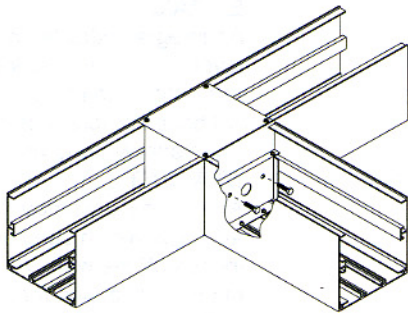
BUTT JOINT CORNER
(STANDARD)



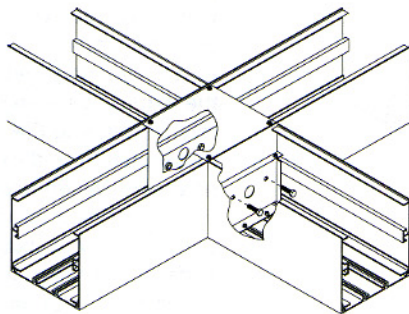
MITERED JOINT
(OPTIONAL)



EDGE MOUNTED MITERED
JOINT (OPTIONAL)



For grid installations that require the use of T's or crosses, consult your Forum Factory Representative.



For grid installations that require the use of T's or crosses, consult your Forum Factory Representative.

All Elbows, Tees, and Crosses are fabricated aluminum extrusions nominal 1/8" thick.

Finishes Available

White.....Standard
Satin Anodized.....S.A.N.
Custom Painted Finish.....Consult Factory

Ballasts

Low Energy.....E.S.B.
Electronic.....E.L.
Dimming.....DIM.

