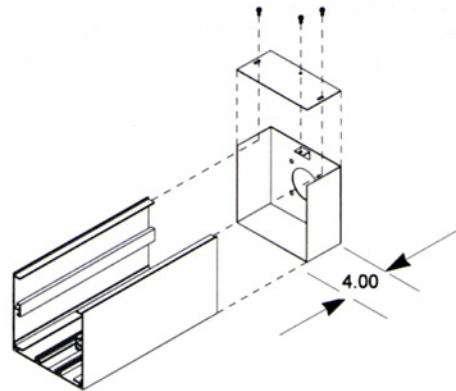




FORUM FORECAST

MOUNTINGS / ACCESSORIES

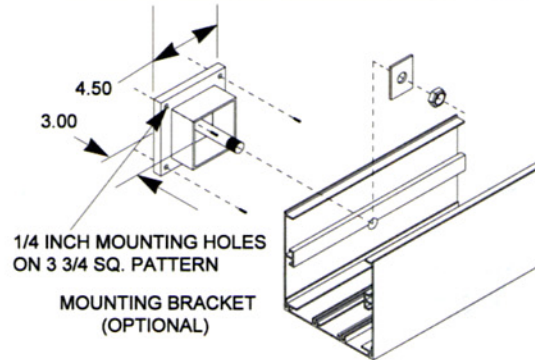
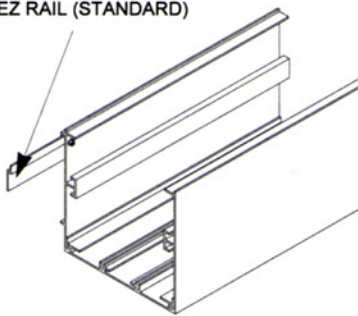


Wall mounted - Span

Fixture ends terminate in wall. Span end (feed) supported from an outlet box. Field measurements are required. Fixtures are adjustable plus or minus 1" by means of two telescoping ends. Feed end is attached to recessed junction box.

NOTE: Stem and/or cable hangers must be used when two or more fixtures are joined.

EZ RAIL (STANDARD)

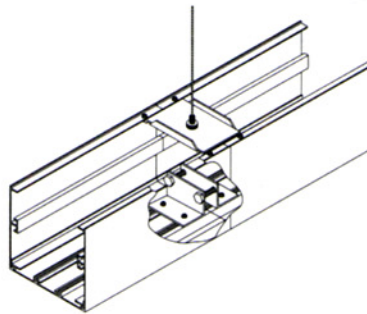
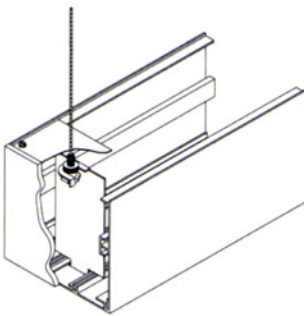


Edge Mounted EZ RAIL

An integral extruded mounting rail and leveling strip run the length of the fixture. You can rough in runs and electrical boxes before mounting the fixture. Then simply hang and wire the fixture.

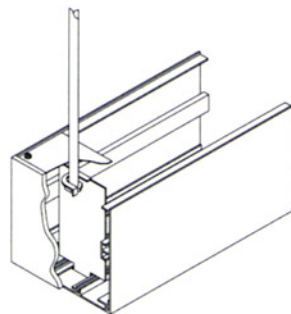
BRACKET

An optional wall mounting bracket is available which cantilevers the fixture 3 inches off the wall. All mounting brackets are pre-drilled for mounting and supply wire connections as necessary.



Cable Support

Cable can be used in place of stems to give the fixture a floating effect. The Forum hanging system is adjustable at the fixture. One fingertip push of the release pin and the cable gripper moves easily and exactly to the desired position. When used at a feed location, a coil cord (standard) or straight cord is required (black standard). For surface mounting, the contractor must install a 1/4" x 20 stud, extending 3/4" below the ceiling.



Stem Support

Standard stem length is 18" and has a plus or minus 1/2" adjustment. A round canopy and 45 degree swivel hanger are also standard. All mounting hardware is included.

NOTE: Stem locations are determined by adding 2" to the light length, on SAU/SAD units.