

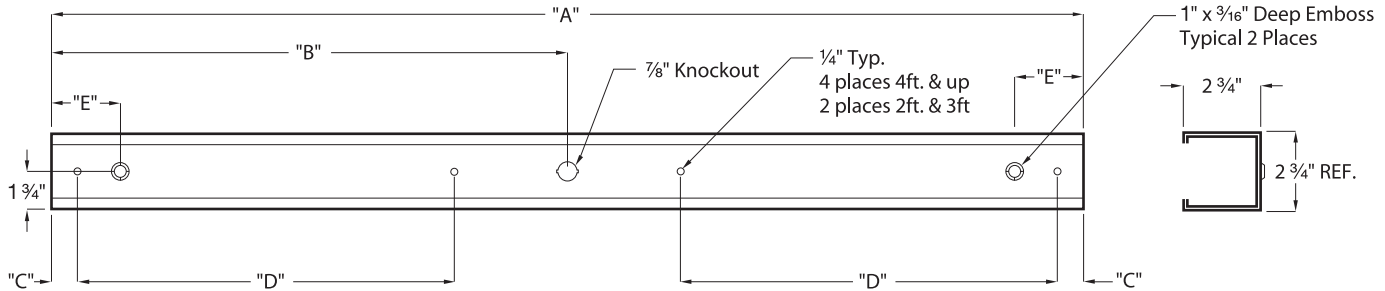


FORUM
LADA SERIES
ADA COMPLIANT



MOUNTING

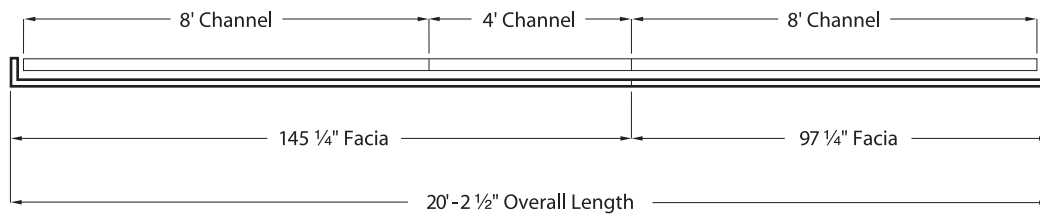
Individual Mounting Detail for BX, T5, or T8 Lamping



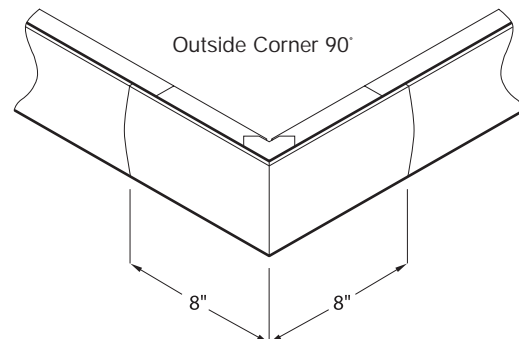
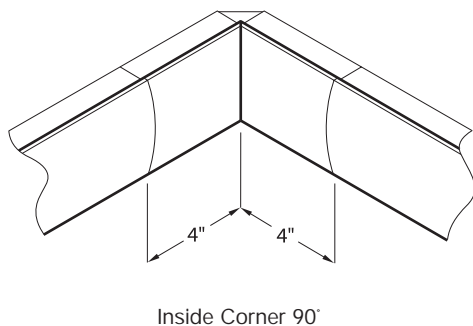
Channel Length	Knockout Location	Mounting Location	Mounting Location	Emboss Location
"A"	"B"	"C"	"D"	"E"
24"	12"	1 1/4"	NA	3"
36"	18"	1 1/4"	NA	3"
48"	24"	1 1/4"	20"	3"
60"	30"	1 1/4"	20"	3"
72"	36"	1 1/4"	16"	3"
96"	48"	1 1/4"	22 3/4"	3"

Light Length	Channel Length	Facia Length
2'	24"	26 1/2"
3'	36"	38 1/2"
4'	48"	50 1/2"
5'	60"	62 1/2"
6'	72"	74 1/2"
8'	96"	98 1/2"

Typical Run



Corners



Other angles and custom lengths are available. Consult factory.