



FORUM

LADA SERIES
ADA COMPLIANT



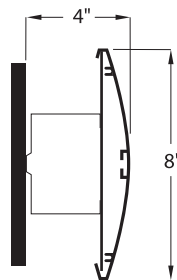
Job _____

Fixture Type _____

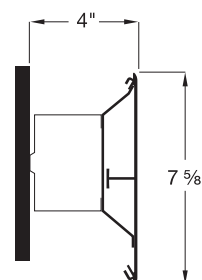
Catalog # _____

DESCRIPTION: The **FORUM/LADA SERIES** of ADA Compliant linear wall lighting and sconces provides a direct/indirect pattern of general illumination where quality efficient lighting of vertical wall surfaces is required. LADA luminaires install quickly and easily and provide a high degree of ambient and task lighting.

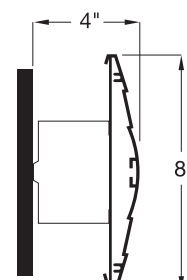
APPLICATIONS: Hallways, Stairwells, Student Carousels, Lobbies, Managed Care Facilities, Hospitals, Schools, Office Buildings



LADA C



LADA F



LADA T



SPECIAL FEATURES: Superior fixture efficiency – 88%... Finished ends standard – hide the channel and provide a finished, seamless end... Heavy walled aluminum extrusion – prevents sagging or wavy appearance prevalent in steel fixtures... T5, T8, or Biax lamping available.

05/05 = 1 Up/1 Down T8	2 - 39BX = 1 Up/1 Down 39W Biax	03H/03H = 1 Up/1 Down T5HO	03/03 = 1 Up/1 Down T5
05/0505 = 1 Up/2 Down T8	2 - 40BX = 1 Up/1 Down 40W Biax	03H/0303H = 1 Up/2 Down T5HO	03/0303 = 1 Up/2 Down T5
0505/05 = 2 Up/1 Down T8	2 - 50BX = 1 Up/1 Down 50W Biax	0303H/03H = 2 Up/1 Down T5HO	0303/03 = 2 Up/1 Down T5
0505/0505 = 2 Up/2 Down T8	2 - 55BX = 1 Up/1 Down 55W Biax	0303H/0303H = 2 Up/2 Down T5HO	0303/0303 = 2 Up/2 Down T5
	2 - 80BX = 1 Up/1 Down 80W Biax		

Indicates LADA Series

Voltage: 120V or 277V

White (Standard)

LADA - C - 05/05 - E X L - 120 - FINISH - OPTIONS

C = Contemporary Facia
F = Flat Facia
T = Traditional Facia

E = Edge Mount

L = Light Length
(Channel lengths available in 2', 3', 4', 5', 6' or 8' and can be combined to make longer fixture runs.)

*EC = Emergency Circuit
*E = Emergency Ballast
F = Fuse
*SC = Separate Circuit
IC = Inside Corner

OC = Outside Corner
D = Dimming Ballast
(where available)

1L = One Return End Left Side
1R = One Return End Right Side

* Not available on 2' and 3' fixtures.

SPECIFICATION:

The **FORUM/LADA SERIES** (facia) shall be constructed of .093 aluminum extrusion 6063-T5 alloy for structural rigidity. The full return ends shall be mitered, welded and ground smooth for a soft continuous appearance. Return ends are standard and provided on each end of individual fixtures and at the ends of the rows for run-mounted fixtures.

FIXTURE AND HARDWARE: All metal components are powder-coated white, minimum 89% reflectance. Fixtures, reflectors and facia supports are constructed from 20-gauge steel. Sockets are prewired and installed. When assembled, no unnecessary fasteners, tabs or knockouts are visible.

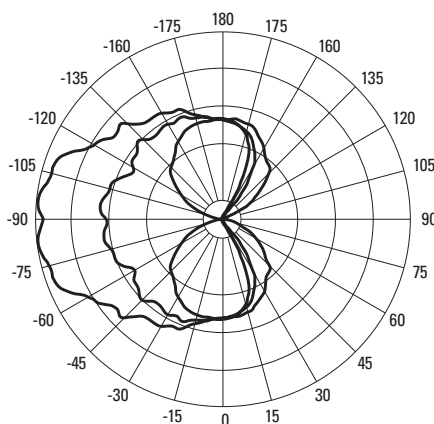
LAMPS: Supplied by others.

BALLAST: Electronic instant start <20% THD standard.

PRODUCT LISTING: Shall be U.L./CUL listed for damp locations.

CANDLEPOWER SUMMARY

CATALOG NO.: LADA-03H/03H
LAMP TYPE: FP54T5HO/835
LUMENS: 5000
FIXTURE EFFICIENCY: 88.4%
LUMINAIRE INPUT WATTS: 119
TEST REPORT NO.: B.A.L. 12182.0



CANDELA DISTRIBUTION

	0.0	45.0	90.0	Zonal Lumens
0	1076	1076	1076	
5	1075	1077	1087	103
15	1001	1044	1074	308
25	666	874	995	463
35	135	527	870	516
45	28	120	783	586
55	24	24	573	566
65	20	20	372	583
75	20	17	169	611
85	14	11	31	639
90	11	10	11	
95	1	0	1	647
105	4	4	140	612
115	10	7	355	595
125	17	17	559	586
135	21	214	763	597
145	230	614	863	538
155	736	894	995	473
165	1002	1037	1078	311
175	1080	1087	1091	105
180	1093	1093	1093	

LUMEN SUMMARY

Zone	Lumens	% Lamp	% Fixture
0-30	874	8.7	9.9
0-40	1390	13.9	15.7
0-60	2542	25.4	28.8
0-90	4372	43.7	49.5
90-120	1854	18.5	21.0
90-130	2440	24.4	27.6
90-150	3575	35.8	40.4
90-180	4465	44.6	50.5
0-180	8839	88.4	100.0

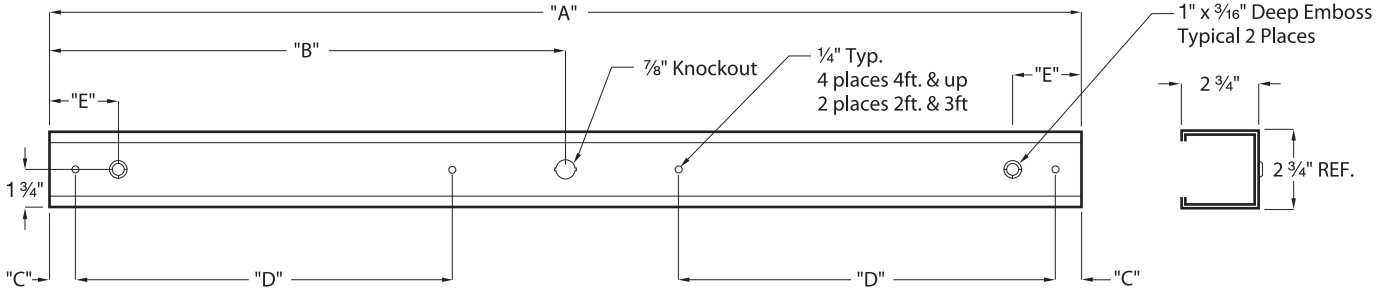


FORUM
LADA SERIES
ADA COMPLIANT



MOUNTING

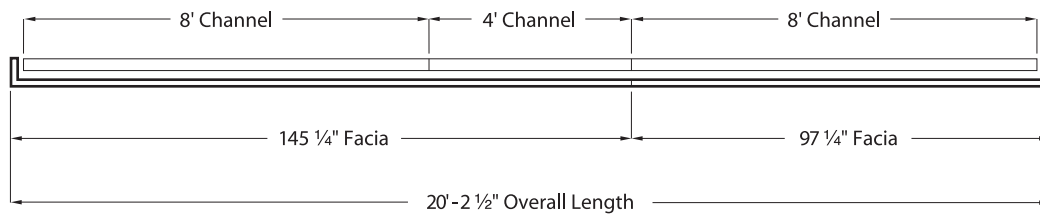
Individual Mounting Detail for BX, T5, or T8 Lamping



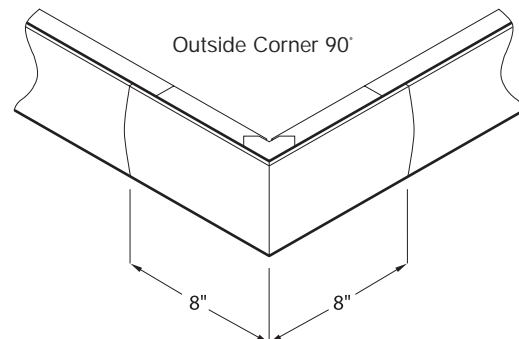
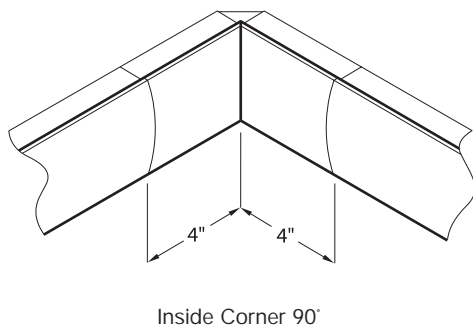
Channel Length	Knockout Location	Mounting Location	Mounting Location	Emboss Location
"A"	"B"	"C"	"D"	"E"
24"	12"	1 1/4"	NA	3"
36"	18"	1 1/4"	NA	3"
48"	24"	1 1/4"	20"	3"
60"	30"	1 1/4"	20"	3"
72"	36"	1 1/4"	16"	3"
96"	48"	1 1/4"	22 3/4"	3"

Light Length	Channel Length	Facia Length
2'	24"	26 1/2"
3'	36"	38 1/2"
4'	48"	50 1/2"
5'	60"	62 1/2"
6'	72"	74 1/2"
8'	96"	98 1/2"

Typical Run



Corners



Other angles and custom lengths are available. Consult factory.