



FORUM LEGACY PENDANT

FP-6-40-VOLTAGE-EL-FINISH
FP-4-40-VOLTAGE-EL-FINISH
FP-6-39-VOLTAGE-EL-FINISH
FP-4-39-VOLTAGE-EL-FINISH

DESCRIPTION:

The **FORUM/LEGACY** series achieves a new level of quality in direct/indirect lighting using the state-of-the-art technology in compact fluorescent lamps and electronic ballasts.

The **LEGACY** is a shallow profile lighting fixture constructed of extruded aluminum with a downlight lens. The lens is prism shaped and fabricated from white translucent acrylic, pressured formed for the sharp crisp detail necessary to complement the **LEGACY** quality.

The **LEGACY** is not only aesthetically attractive but also functional based on its luminaire efficiency of 69%.

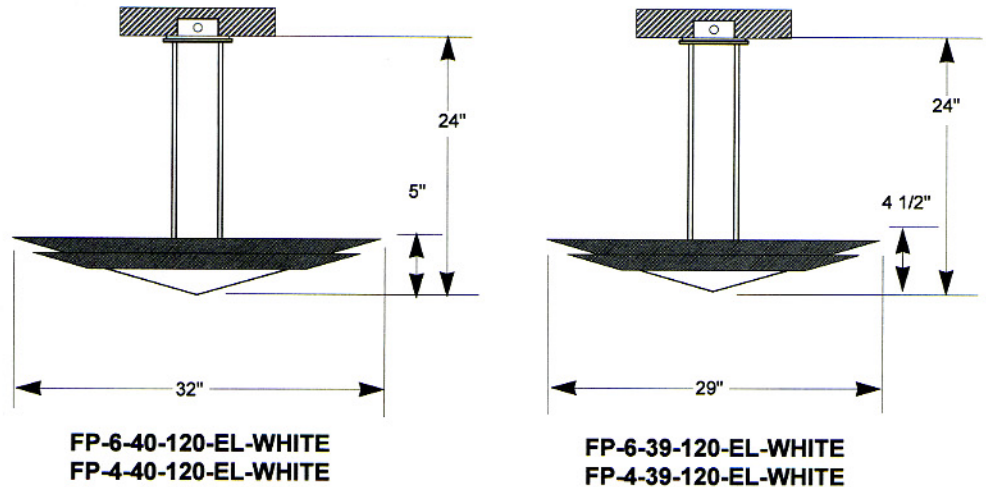
The **LEGACY** is available in either a four (4) or six (6) lamp version with choice of either F39 or F40 compact fluorescent lamps, depending on the ambient lighting requirements. Standard finish is white textured painted finish with white acrylic lens, however other painted finishes and lens colors are available.

APPLICATIONS:

Some suggested applications include General Office Areas, Conference Rooms, Lobbies, Cafeterias, Churches, Executive Offices, and CRT Areas.

MOUNTING HEIGHTS:

The **FORUM/LEGACY** comes standard with stems providing a ceiling-to-bottom-of-fixture dimension of 24 inches. Custom stem lengths are available, however dimensions less than 20 inches are not recommended.



SPECIFICATIONS:

FIXTURE BODY: Shall be constructed of .090 inch thick 6063-T5 extruded aluminum. The fixture body shall be 32.00 inches square and 5.00 inches deep when using F40 lamps and 29.00 inches square and 4.50 inches deep when using F39 lamps. All corners shall be mitered, welded, filled and ground smooth until no corner seams are visible. The upper and lower frame assemblies shall be factory-joined with mechanical fasteners that are not visible after installation. The fixture body shall contain integral ballast with a female connector for ease of wiring to the stem assembly.

REFLECTOR: Shall have a minimum reflectivity of 85% with a specular surface finish. The reflector shall disperse the light for even illumination of the ceiling and subtle lighting of the acrylic prism.

PENDANT ASSEMBLY: Shall consist of four (4) 3/8" OD stems equally spaced at 6 inches. The stems shall be threaded into a 9.00 inch square ceiling canopy with provisions for direct attachment to a recessed junction box. The stems shall be fitted with an attachment plate and four (4) leveling nuts for joining of the pendant assembly to the fixture body assembly. The pendant assembly shall be provided with a male electrical connector for ease of wiring with the fixture body assembly.

LAMPS: Shall be four (4) or six (6) lamp combination of either F39 or F40 type compact fluorescent. The lamps shall be positioned on a horizontal plane and rotated about the horizontal axis for optimum light distribution.

BALLAST: Shall be two (2) 3-lamp or two (2) 2-lamp electronic suitable for use with either F39 or F40 compact fluorescent lamps. The ballast shall be pre-wired with a female electrical connector for ease of wiring to the pendant assembly.

FINISH: Pendant assembly and fixture body shall be finished with a textured white semi-gloss polyurethane enamel. Optional painted finishes are available.

PRODUCT LISTING: Shall be U.L. listed.