

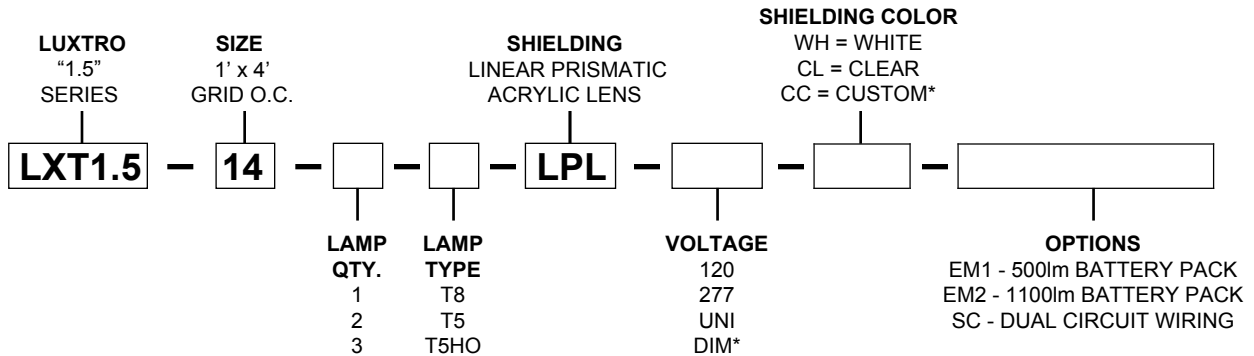
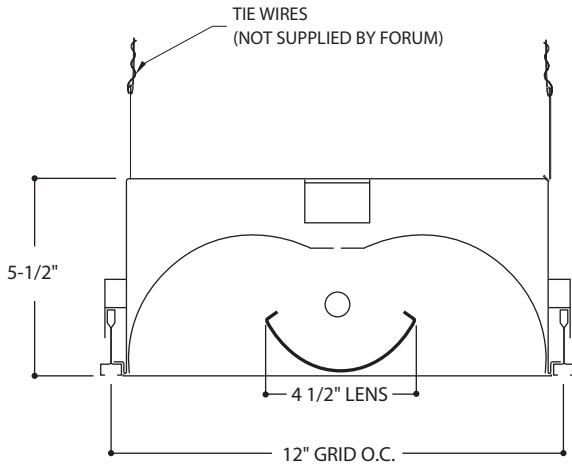


LUXTRO

BY FORUM

JOB _____

TYPE _____



* - Advise factory

DESCRIPTION:

High-performance recessed grid-mounted direct/indirect fixture utilizing a unique unitized steel construction reducing weight and increases rigidity, while giving the appearance that the fixture is constructed from a solid piece of steel. Designed for standard lay-in T-bar ceilings, grid mounting provides easier location/installation. Fixtures can be mounted end-to-end in continuous rows conditions. Ideal for low ceiling environments that prohibit use of suspended luminaires. Designed for spaces requiring overall lower contrast ratios and better max to min ratios at ceiling plane, ideal for application in small or open plan computer offices. Uniform vertical illumination eliminates wall 'scalping'. Hook-on linear prismatic lens swings away to easily permit tool-less lamp replacement. All Steel parts and reflectors treated with multi-stage rust inhibitor and finished with low glare, highly reflective white powder coat paint.

SPECIFICATION:

HOUSING: The Luxtro 1.5 1 x 4 housing is die formed from 20 gauge cold rolled steel and sized to fit a standard grid system. The housing is finished in a multi stage powder coat finish

REFLECTOR SYSTEM: The Luxtro reflector system is a unitized integral part of the housing. Die formed from 20 gauge cold rolled steel. The reflector system is finished in a multi stage high reflectance, low glare powder coat finish.

INTERNAL COMPONENTS: All internal components are constructed from a minimum of 22 gauge cold rolled steel. All internal components are finished in a multi stage powder coat white finish

BALLAST: the Luxtro 2060 is furnished with an electronic high power factor UL listed ballast. numerous ballast options available, consult factory of more information.

LISTING: The Luxtro product line is UL listed and bears an IBEW union label.