



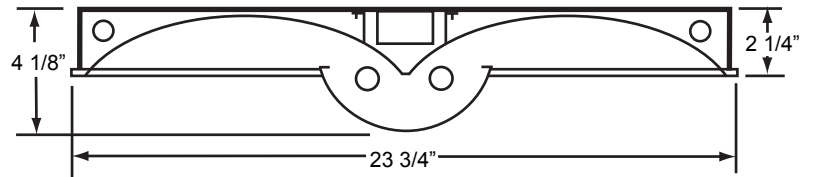
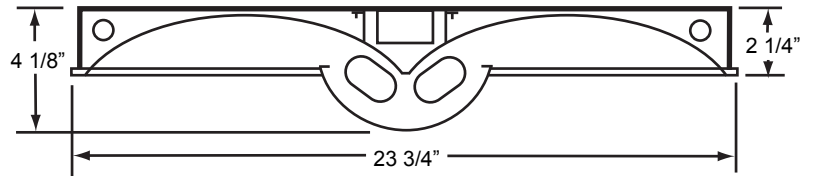
JOB _____

TYPE _____

DESCRIPTION: The **FORUM/LUXTRO** is a recessed indirect/direct lighting system designed to provide diffused, even illumination for today's office environment. Luxtro's smooth, die-formed reflector system consistently provides high reflectivity and excellent efficiency with minimal brightness.

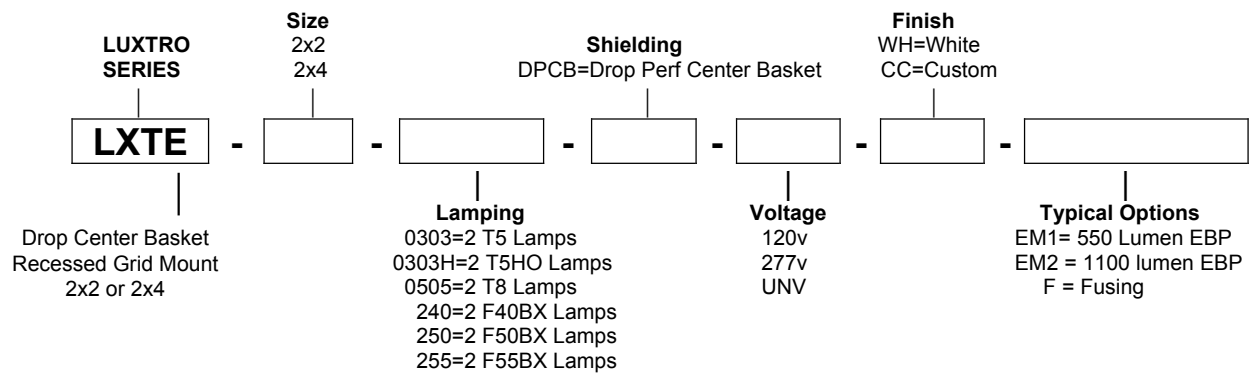
APPLICATIONS: Designed to complement contemporary offices. Ideally suited for offices with low ceiling heights.

MOUNTING: **FORUM/LUXTRO** can be installed in Grid or Drywall ceilings. (Framing Kit Required.)



SPECIAL FEATURES: Decorative, diffused lighting for today's offices. Shielded lamp image. Minimal reflection on computer screens, minimal shadowing. Competitively priced alternative to suspended linear indirect luminaries and parabolic troffers. Versatile lighting system, available with Drop Perf Basket.

For Drywall installations order the following kits:
 2'x2' DFK-22
 2'x4' DFK-24



SPECIFICATIONS:

The **FORUM/LUXTRO** housing is manufactured from die-formed 20 gauge CRS. Sockets shall be prewired and factory installed. Lamp image hidden by Perforated Shield with acrylic lens overlay. Fixture bodies available in 2'x2' and 2'x4'.

REFLECTOR: Reflector shall be die-formed, computer generated, manufactured from 20 gauge steel, finished in Optic White powder coat for maximum reflectivity.

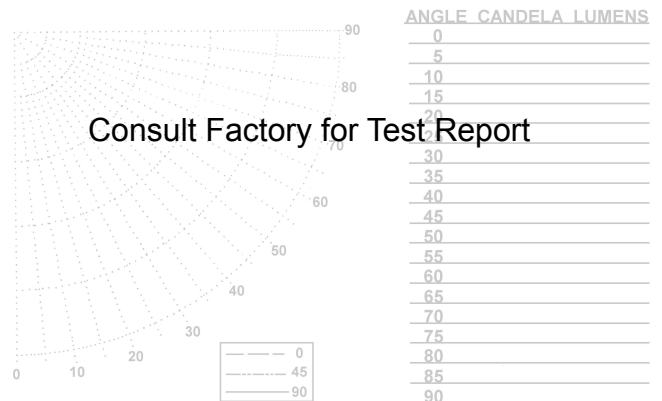
BALLAST: Electronic High power factor with thermal protection.

PRODUCT LISTING: Shall be U.L./CUL listed for damp location.

CANDLEPOWER SUMMARY: Consult Factory for Test Report

CANDLEPOWER SUMMARY

CATALOG NO.:
 LAMP TYPE:
 LUMENS:
 FIXTURE EFFICIENCY:
 LUMINAIRE INPUT WATTS:
 TEST REPORT NO.:



Consult Factory for Test Report