

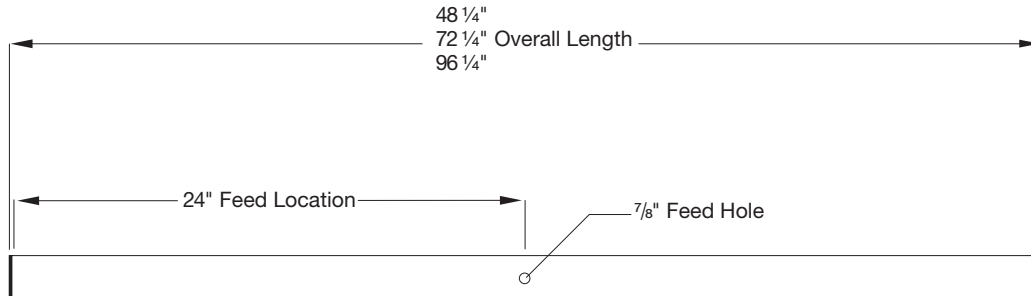


# FORUM

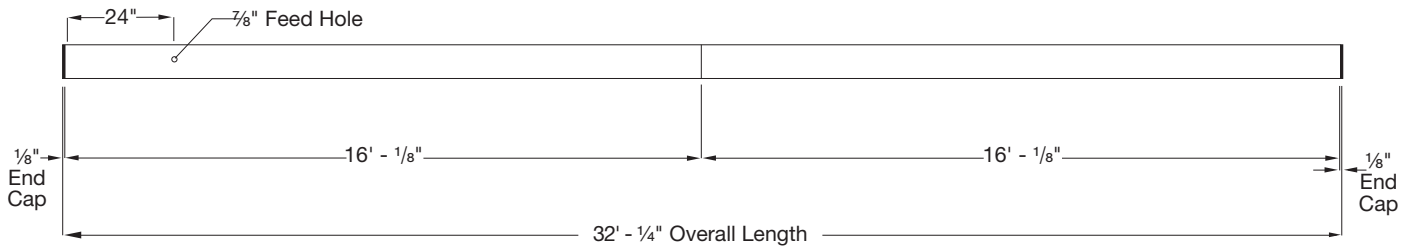
MINI FORECAST SERIES  
2" X 6" ASYMMETRIC  
WALLMOUNT

## MOUNTINGS / ACCESSORIES

### Individual Fixtures



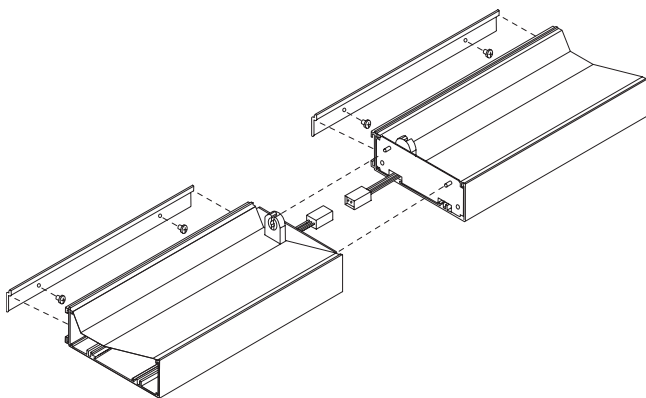
### Typical Run



\*Decorative End Caps add 4" to each end.

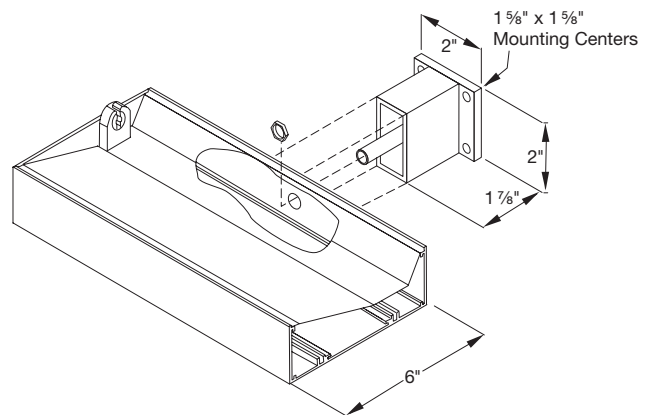
\*Some lamping options may require more than one power feed location. Consult factory.

### Edge Mount



**Mounting Detail:** The 2"x6" series fixture can be edge mounted using the "EZ" mounting rail. Simply mount the rail level to the correct elevation first. Then hang the fixture on the "EZ" rail and complete the supply wire connection. The "EZ" rail simplifies the installation process.

### Wall Brackets



**Bracket:** An optional wall-mounting bracket is available which cantilevers the fixture 8.00" off the wall. All mounting brackets are pre-drilled for ease of mounting. The power feed bracket is sized to cover a 4" octagon box and is manufactured to allow power feed wiring. Wall brackets are painted to match fixture.