



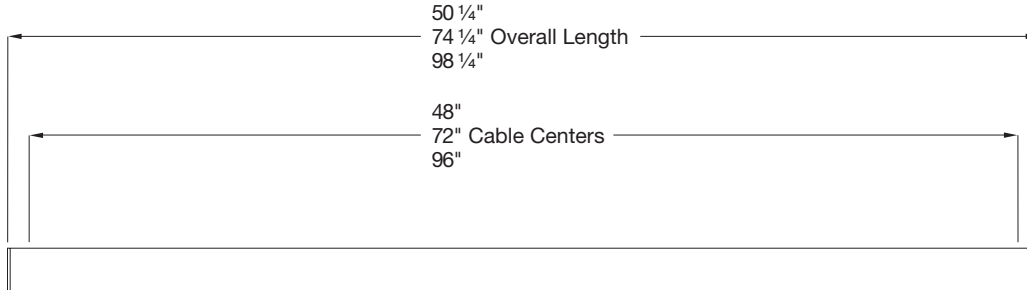
FORUM

MINI FORECAST SERIES

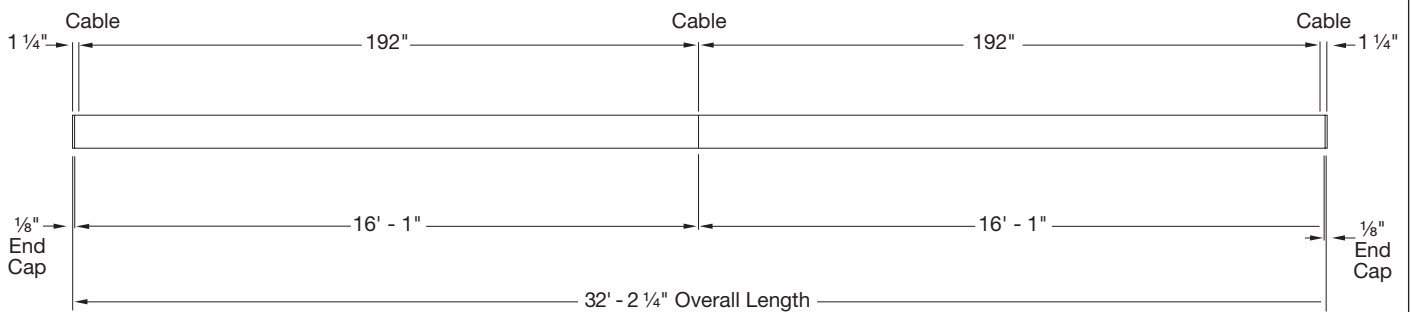
1.5" X 8"

MOUNTINGS / ACCESSORIES

Individual Fixtures



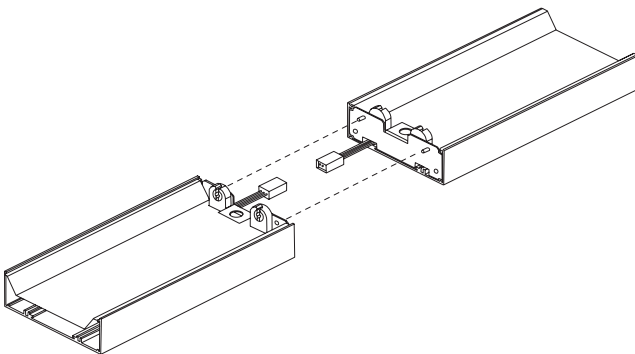
Typical Run



* Consult factory for T-8 dimensions.

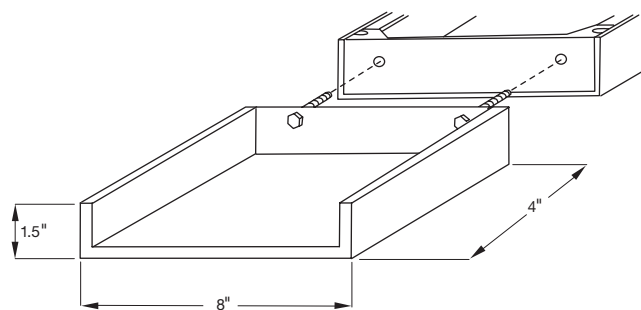
* Decorative end Caps add 4" to each end.

Joining Two Sections



Fixture Length: Continuous fixture sections of up to 16 feet can be provided for ease of installation and aesthetics. Fixture sections can be joined together resulting in a hair-line seam and uninterrupted light of any desired length.

Optional Decorative End Cap



Decorative End Cap: When specified with the Decorative End Cap option, each end of row fixture shall have the 4" Decorative End Cap attached at the factory.