



# FORUM

MINI FORECAST SERIES  
5" X 2"

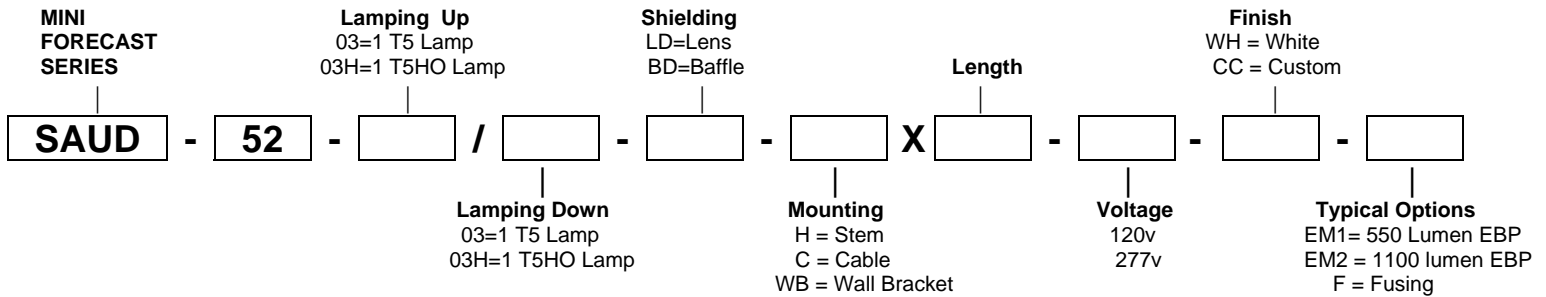
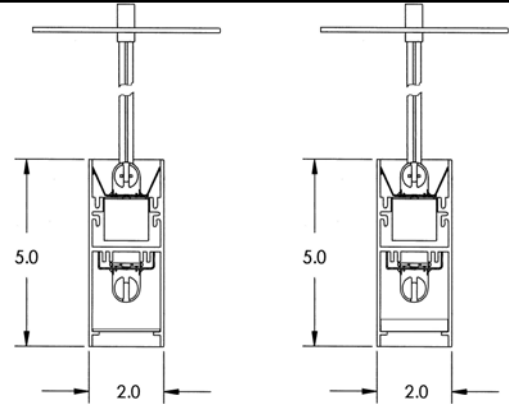
JOB \_\_\_\_\_

TYPE \_\_\_\_\_

**DESCRIPTION:** The **FORUM/MINI FORECAST** fixture provides a soft, even, general illumination.

**APPLICATION:** Banks, Modern Office Spaces, Lobbies, Computer Spaces.

**MOUNTING HEIGHT:** The top of the fixture to ceiling should be a minimum of 18" for all fixtures.



**SPECIFICATION:**

The **FORUM/MINI FORECAST** housing shall be 2 inches wide x 5 inches high one piece aluminum extrusion 6063 T5 alloy. Sockets shall be prewired and factory installed. The ends shall be .125" thick aluminum with no visible fasteners. Standard continuous single sections shall be 16 feet. Standard finish shall be white consisting of a high solids baked polyester paint pretreated with a five (5) stage cleaning/conversion coating. Other painted architectural finishes are available.

**REFLECTOR:** Reflector shall be die formed .024 white aluminum with 88% reflectivity.

**BALLAST:** Electronic with high power factor.

**CABLE SUPPORT:** Factory installed hanger system that is adjustable at the fixture. A 3/32" diameter cable 18" long is standard. A factory installed power cord is attached to the fixture.

**STEM:** 3/8" diameter x 18" long with a 1/2" deep canopy allowing for a 45 degree swivel when specified. Canopy and stem shall be painted white.

**PRODUCT LISTING:** Shall be U.L./CUL listed for damp locations.