



# FORUM

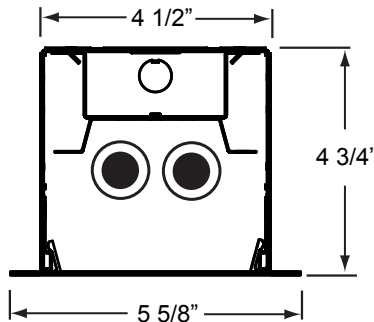
## MINI FORECAST SERIES

### RECESSED DRYWALL MOUNT

#### 4"x4" T5 / T5HO and T8 LAMPING

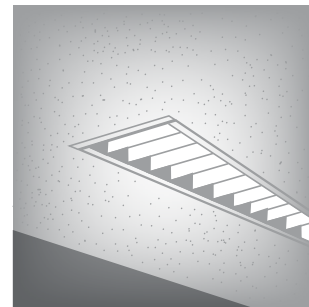
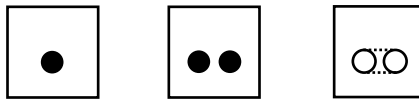
JOB \_\_\_\_\_

FIXTURE TYPE \_\_\_\_\_

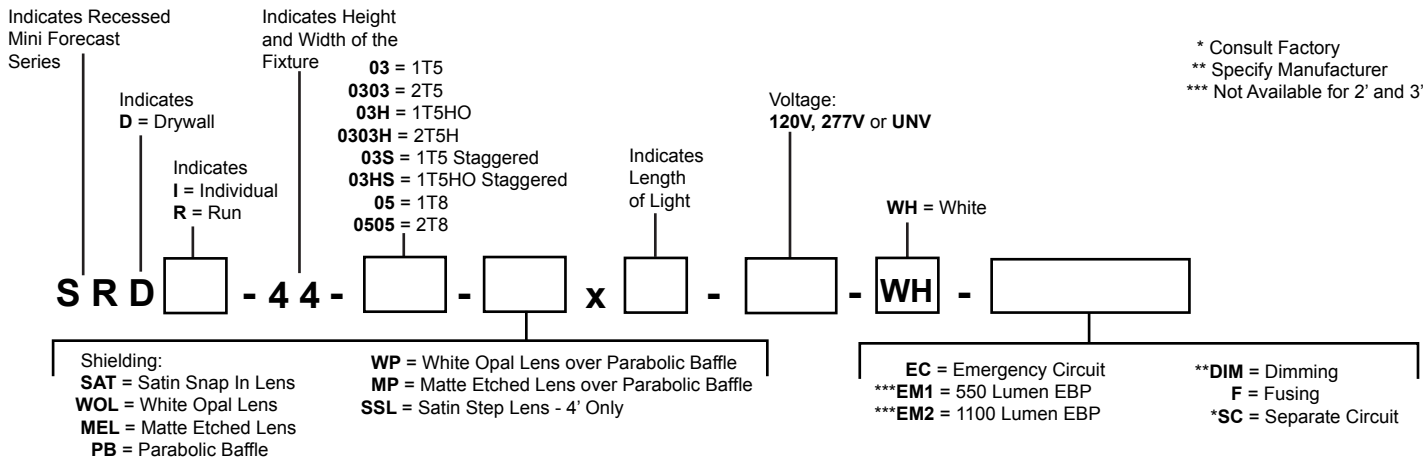


**DESCRIPTION:** The **FORUM/MINI FORECAST** fixture provides a soft, even, general illumination.

**APPLICATIONS:** Classrooms, Modern Office Spaces, Libraries, Houses of Worship, Hospitals, Retail Stores and Auditoriums.



**SPECIAL FEATURES:** Superior optics with multiple lamp, lens and louver options...Symmetric or Asymmetric distribution available.



## SPECIFICATION

The **FORUM/MINI FORECAST** housing shall be a nominal 4 inches high by 4 inches wide formed cold rolled steel. Housing shall be white (standard). Custom finishes available consult factory.

**MOUNTING:** Shall be installed in drywall ceilings.

**REFLECTOR:** Shall be die formed 22 gauge cold rolled steel with white finish.

**BALLAST:** Electronic high power factor with <10% THD with disconnect.

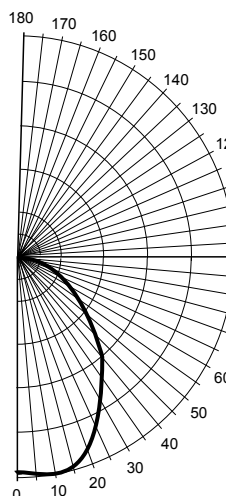
**PARABOLIC BAFFLE:** Low Iridescent semi-specular aluminum 3/4" high x 2" on centers.

**PRODUCT LISTING:** Shall be U.L. listed for damp locations.

## PHOTOMETRICS

### CANDLEPOWER SUMMARY

CATALOG NO.: NSAD-44-05-SAT-Cx4-120-WH  
LAMP TYPE: F32T8/835/RS  
LUMENS: 2950  
FIXTURE EFFICIENCY: 54.9%  
LUMINAIRE INPUT WATTS: 33  
TEST REPORT NO.: B.A.L. 13675.0



### CANDELA DISTRIBUTION

	0.0	45.0	90.0	Zonal Lumens
0	669	669	669	
5	673	673	673	64.2
15	664	664	664	188.2
25	581	582	581	269.3
35	489	489	487	306.7
45	374	374	370	289.4
55	260	262	257	233.4
65	161	163	157	159.6
75	80	82	77	85.6
85	20	20	19	22.0
90	0	0	0	

### LUMEN SUMMARY

Zone	Lumens	% Lamp	% Fixture
0-30	522	17.7	32.2
0-40	828	28.1	51.2
0-60	1351	45.8	83.5
0-90	1618	54.9	100.0