



FORUM

PWW

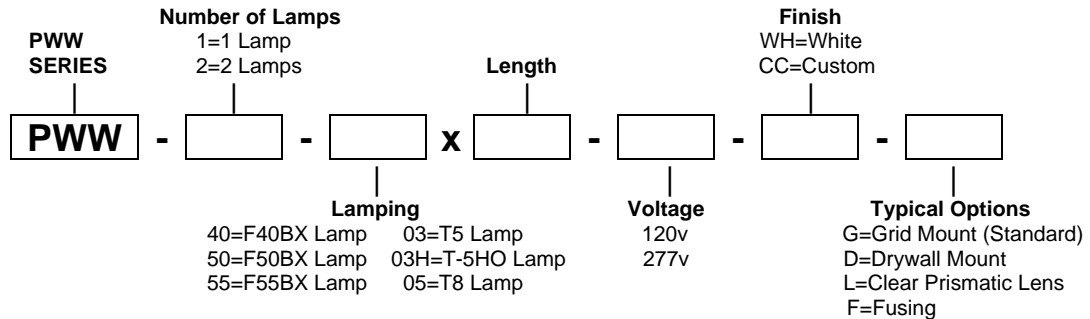
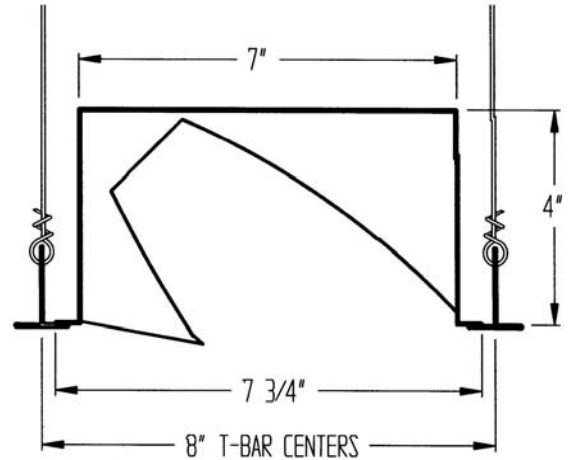
JOB _____

TYPE _____

DESCRIPTION: The **FORUM PWW** fixture provides an even, general wall wash illumination where uniform vertical foot candles are required for wall wash applications.

APPLICATIONS: Retail Stores, Supermarkets, Libraries, Lobbies, Classrooms, Bookstores and Restaurants.

MOUNTING: Can be mounted in a suspended lay-in acoustical ceiling, or in a drywall ceiling. Typical installation for maximum and uniform light levels call for the fixture to be mounted between two and three feet from the vertical surface to be illuminated.



SPECIFICATIONS: The **PWW** housing shall be 7 3/4" wide x 4" high and constructed of 20 ga. die-formed cold rolled steel. The sockets shall be prewired and factory installed. The standard length shall be 4'. A white high solids, baked polyester paint, pretreated with a five stage cleaning/rust inhibitor conversion coating shall be the standard finish.

LAMPS: (By others) Shall be two(2) F40, two(2) F50, or two(2) F55 compact fluorescent twin lamps. **OPTIONAL:** One(1) F032, one(1) F28T5, or one(1) FP54HOT5 fluorescent lamp.

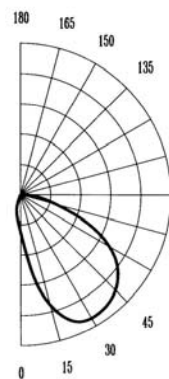
REFLECTOR: Shall be die-formed, low brightness, low iridescent diffuse aluminum.

BALLAST: Shall be electronic.

PRODUCT LISTING: Shall be U.L. and C.S.A. listed for damp locations.

CANDLEPOWER SUMMARY

CATALOG NO.: PWW-2-40 X 4'
LAMP TYPE: F40BX
LUMENS: 3150
FIXTURE EFFICIENCY: 48.5%
LUMINAIRE INPUT WATTS: 67
TEST REPORT NO.: B.A.L. 9557.0



ANGLE	CANDELA	LUMENS
180	0	0
175	0	0
165	0	0
155	0	0
145	0	0
135	0	0
125	0	0
115	0	0
105	0	0
95	0	0
90	20	
85	79	41
75	420	251
65	1064	485
55	1554	579
45	1764	572
35	1850	488
25	1847	367
15	1530	213
5	930	61
0	647	