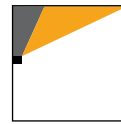




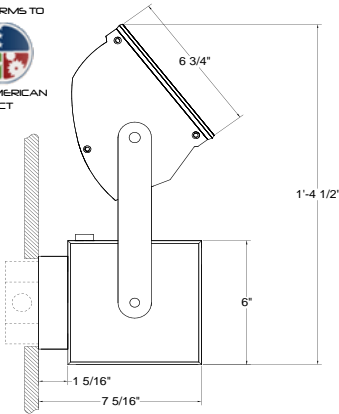
JOB _____

FIXTURE TYPE _____

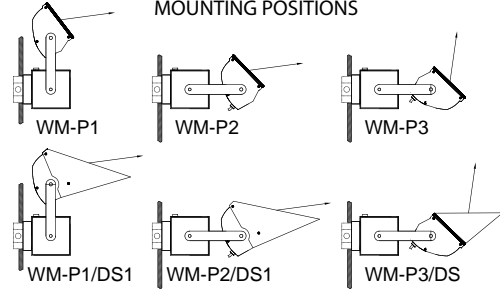


LARGE BODY QUASAR
AIM-ABLE ASYMMETRIC HID
2 LAMP HEAD WALL MOUNTED
INDOOR/OUTDOOR USE

CONFORMS TO



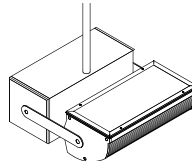
MOUNTING POSITIONS



NEW



Smooth Housing



PENDENT MOUNTED WALL BOX



ORDERING CODE

Quasar Asymmetric Adjustable Aluminum HID Point Source	Listing: W = UL Wet Location Blank = UL Damp Location	Lamp Qty: 2 = 2 Lamp Single Housing	Lamping*: 70MH = 70Watt MH 100MH = 100Watt MH 150PS = 150Watt MH 175PS = 175Watt MH 250PS = 250Watt MH 320PS = 320Watt MH 350PS = 350Watt MH 400PS = 400Watt MH 39CMH = T6 CMH 70CMH = T6CMH 150CMH = T6CMH	Style: 2WM = Intergral ballast Wall Mount	Voltage: 120 = 120 V 277 = 277 V	Finish: WH = White (Standard) CC = Custom Color AZ = Anodized	Optics REF/LENS: SA = Satin Anodized (Standard) SP = Specular Aluminum SH = Specular Hammettone /FG = Frosted Micro Prism Glass (Standard) /CG = Clear Glass /SG = Solite Micro Prism Glass	Options: DS = Front Deflector DS1 = Rear Deflector PDS = Front Perf Deflector PDS1 = Rear Perf Deflector EM-Q = Quartz Restrike EM-S = Quartz Socket DIM = Dimming** NAT = Natatorium F = Fusing PMD = Pendent Mounting P1 = Mounting Position 1 P2 = Mounting Position 2 P3 = Mounting Position 3 SH = Smooth Housing MOD = Custom Modification*
QUA -	[] -	2 -	[] -	2WM -	[] -	[] -	[] -	[] -

* Consult Factory
** Specify Manufacturer

SPECIFICATION

FIXTURE BODY: Shall be .125" thick extruded 6063 -T5 aluminum with external surface ribbing for improved heat dissipation which will prolong lamp life. The standard finish for the housing is white. The end plates shall be .375" thick aluminum, gasketed and mechanically attached to the housing. The ends shall be painted white (standard).

LENS AND FRAME: Damp location fixture utilizes a one piece cast frame secured to the housing by four (4) captive screws, with a 0.125" thick high temperature frosted patterned tempered glass (standard). Wet location fixtures utilize a mitered extruded aluminum frame that is gasketed and secured to the housing by four (4) captive screws. The frame shall be white powder coat to match the housing .

REFLECTOR: Shall be bright dip anodized multifaceted pre-focused aluminum (standard).

BALLAST HOUSING: Shall be fabricated from .090" aluminum, and finished in a white powder coat to match the housing

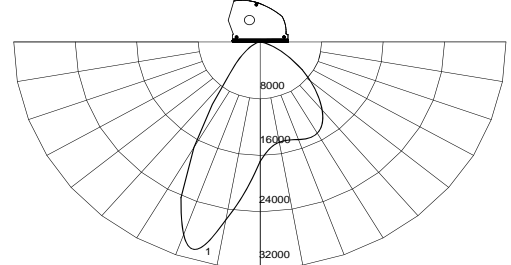
DEFLECTOR SHIELDS: Shall be fabricated from 18 gauge steel. The shields shall be die formed, welded, and ground smooth to provide a seamless finished appearance. Standard finish shall be white powder coat to match housing. Custom finishes available.

WALL MOUNTING BRACKET: Shall be die formed from 18 gauge C.R.S.. Standard finish is white to match the housing.

PRODUCT LISTING: Shall be U.L. for damp location, wet location available. All product manufactured in an IBEW union facility

PERFORMANCE

IES INDOOR REPORT BAL No.10614.MOD2
 PHOTOMETRIC FILENAME : QUA-2-400MH-1CM-FROSTED LENS.IES
 LAMP (2)MH400/U/ED28 36,000 LUMENS SPECULAR REFLECTOR



Maximum Candela = 31762 Located At Horizontal Angle = 180, Vertical Angle = 15
 # 1 - Vertical Plane Through Horizontal Angles (180 - 0) (Through Max. Cd.)

Zonal Lumen Summary		Zonal Lumen Summary	
Zone	Lumens	%Lamp	%Fixt
0-30	16557	23.0	40.8
0-40	26186	36.4	64.5
0-60	37735	52.4	93.0
0-90	40587	56.4	100.0
0-180	40587	56.4	100.0
Total Luminaire Efficiency = 56.4%			