



# FORUM

## QUASAR/PROJECTOR PENDANT MOUNT DOUBLE

JOB \_\_\_\_\_

TYPE \_\_\_\_\_

### FORUM QUASAR/PROJECTOR SERIES

The **QUASAR/PROJECTOR** is a heavy duty, remote ballasted floodlight with a high degree of beam control. The optics are designed to evenly illuminate either vertical or horizontal surfaces.

**APPLICATIONS:** Classrooms, Office Areas, Libraries, Lobbies, Retail Stores.

**MOUNTING:** The **QUASAR/PROJECTOR** can be floor, parapet, ceiling, or wall mounted.

### SPECIFICATION:

**HOUSING:** Shall be .125" thick extruded 6063 -T5 aluminum with external surface ribbing for improved heat dissipation which will prolong lamp life. The standard finish for the housing is white. The end plates shall be .375" thick aluminum, gasketed and mechanically attached to the housing. The ends shall be painted white (standard). Custom finishes and bright dip anodize finish available. Consult factory.

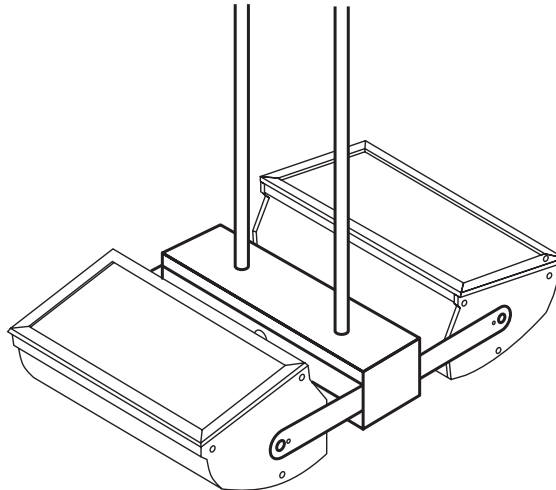
**LÉNS AND FRAME:** Shall be .125" thick high temperature clear patterned tempered glass. The extruded aluminum frame shall be gasketed and secured to the housing by four (4) captive screws. An internal stainless steel wire leader shall be tethered to the frame to facilitate relamping. The frame shall be white (standard).

**REFLECTOR:** Shall be highly polished, multi-faceted, prefocused anodized aluminum.

**REMOTE BALLAST :** For lamp wattages from 70-175W, shall be encased and potted, HPS, CWA with a B sound rating. For lamp wattages from 250-400W, shall be encased and potted, HPF, CWA with a C sound rating. All ballasts are provided with an integral wire splice box.

**PRODUCT LISTING:** Shall be U.L. and C.S.A. listed for Damp Location.

**PATENT PENDING:** The housing contours of the luminaire constitute a trademark of Forum, Inc.



Quasar/ Projector Series	2=2 Lamp	Remote Ballast No Shroud	Finish WH=White CC=Custom	Pendant Mount Double
<b>QUA</b>	<b>2</b>	<b>1NS</b>		<b>PMD</b>
	<b>Lamp Watage</b>		<b>Voltage</b>	<b>Options</b>
	70MH 175PS		120v	DS=Deflector Shield
	100MH 250PS		277v	CBB=Cross Blade Baffle
	175MH 320PS			RBT=Remote Ballast Tray
	250MH 350PS			EM-Q=Quartz Restrike
	400MH 400PS			EM-S=Quartz Socket
				NAT=Natatorium
				F=Fusing