

FORUM

QUASAR/PROJECTOR

WALL/CEILING MOUNT

JOB _____

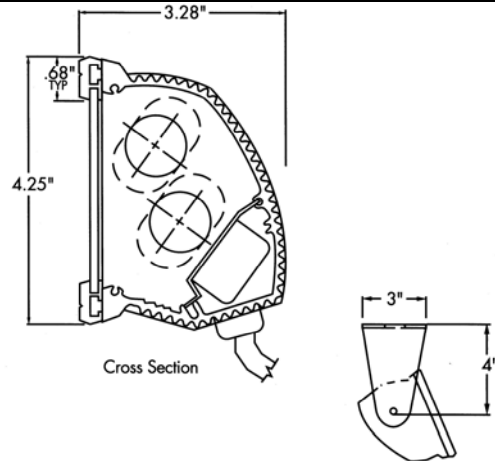
TYPE _____

FORUM QUASAR/PROJECTOR SERIES

The **QUASAR/PROJECTOR** is a heavy duty luminaire with a high degree of beam control. The optics are designed to evenly illuminate either vertical or horizontal surfaces.

APPLICATIONS: Classrooms, Office Areas, Libraries, Lobbies, Retail Stores, Atriums.

MOUNTING: The **QUASAR/PROJECTOR** can be mounted to illuminate vertical or horizontal surfaces.



QUASAR/ PROJECTOR SERIES		Small Bodied		Lamping 39BX=39W Biax 40BX=40W Biax 50BX=50W Biax 55BX=55W Biax 80BX=80W Biax (1 lamp only)		Mounting CM=Ceiling Mount WM=Wall Mount		Finish WH=White (Standard) CC=Custom	
QUA		S							
	W=Wet Location		Number of Lamps 1=1 Lamp 2=2 Lamps	Type of Ballast 1=Remote 2=Integral		Voltage 120v 277v		Typical Options **IPB=Internal Parabolic Baffle *ERB=External Radial Baffle *EM1=550 Lumen EBP F=Fusing	
							**Damp Location with (1) Lamp Only *Damp Location Only		

SPECIFICATION:

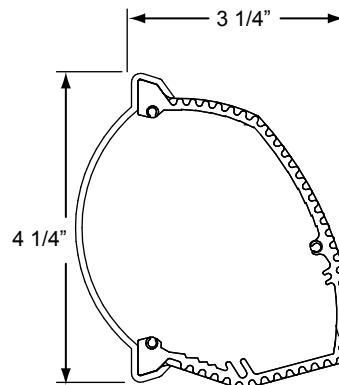
HOUSING: Shall be .125" thick extruded 6063-T5 aluminum with external surface ribbing for improved heat dissipation which will prolong lamp life. The standard finish for the housing is white. The end plates shall be .375" thick aluminum, gasketed. The ends shall be painted white (standard). Custom finishes and bright dip anodized finish available. Consult factory.

LENS ASSEMBLY: Snap on acrylic lens standard.

REFLECTOR: Shall be highly polished, multi-faceted prefocused anodized aluminum, with symmetrical or asymmetrical distribution available.

PRODUCT LISTING: Shall be U.L. listed for damp location. Wet Location optional.

PATENT PENDING: The housing contours of the luminaire constitute a trademark of Forum, Inc.



Wet Location