



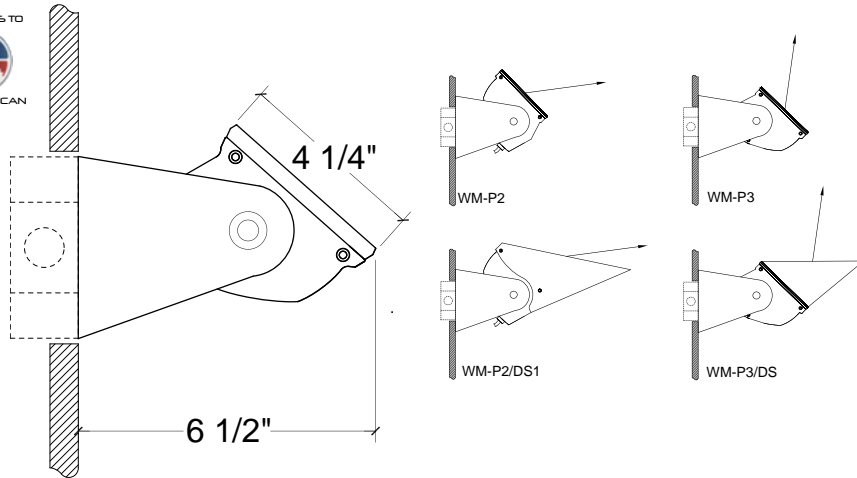
JOB _____

FIXTURE TYPE _____

SMALL BODY QUASAR
 AIM-ABLE ASYMMETRIC
 LINEAR FLUORESCENT
 WALL MOUNT
 INDOOR USE/OUT DOOR USE

CONFORMS TO

 BUY AMERICAN
 ACT



ORDERING CODE

Quasar Asymmetric Adjustable Aluminum Housing	Listing: W = Wet UL Label Blank = Damp UL Label	Housing: S = Small Body	Lamping*: 03 = 1 T5 0303 = 2 T5 03H = 1 T5HO 0303H = 2 T5HO 05 = 1 T8 0505 = 2 T8	Style: 2WM = Integral Ballast Wall Mount	Length: 2 = 2' 3 = 3' 4 = 4' 6 = 6' 8 = 8' XX = Run length in feet*	Voltage: 120 = 120 V 277 = 277 V UNV = Universal	Finish: WH = White (Standard) CC = Custom Color AZ = Anodized	Optics REF/LENS: SA = Satin Anodized (Standard) SP = Specular Aluminum SH = Specular Hammerstone /OP = Open (Standard) # /CAL = Clear Acrylic Lens /IPB = Internal Parabolic Baffle # /ERB = External Radial Baffle #	Options: DS = Front Deflector # DS1 = Rear Deflector # PDS = Front Perf Deflector # PDS1 = Rear Perf Deflector # EM = Emergency Ballast** EC = Emergency Circuit DIM = Dimming** NAT = Natatorium P2 = Mounting Position 2 P3 = Mounting Position 3 F = Fusing MOD = Custom Modification*
--	--	--------------------------------------	--	---	---	--	--	--	--

QUA- [] S - [] - 2WM X [] - [] - [] - [] - []

* Consult Factory
 ** Specify Manufacturer
 # Damp table Only

SPECIFICATION

FIXTURE BODY: Shall be .125" thick extruded 6063 -T5 aluminum with external surface ribbing for improved heat dissipation which will prolong lamp life. The standard finish for the housing is white. The end plates shall be .375" thick aluminum, gasketed and mechanically attached to the housing. The ends shall be painted white (standard).

LENS AND FRAME: Damp location fixture utilizes a one piece snap on lens, 0.125" thick virgin acrylic (standard). Wet location fixture utilizes a one piece snap on lens, 0.125" thick virgin acrylic .

REFLECTOR: Shall be bright dip anodized multifaceted pre-focused aluminum (standard).

BALLAST HOUSING: Shall be fabricated from .090" aluminum, and finished in a white powder coat to match the housing

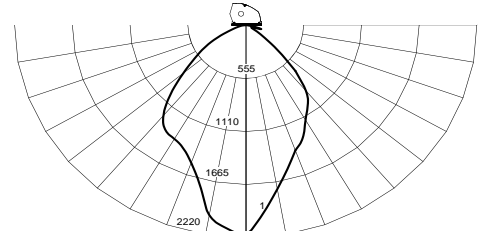
DEFLECTOR SHIELDS: Shall be fabricated from 18 gauge steel. The shields shall be die formed, welded, and ground smooth to provide a seamless finished appearance. Standard finish shall be white powder coat to match housing. Custom finishes available.

WALL MOUNTING BRACKET: Shall be die formed from 18 gauge C.R.S.. Standard finish is white to match the housing.

PRODUCT LISTING: Shall be U.L. for damp location, wet location available. All product manufactured in an IBEW union facility

PERFORMANCE

BALL LAB TEST 11344.0
 PHOTOMETRIC FILENAME : QUA-S-03H-2WMX4-OPEN.IES



Maximum Candela = 2220 Horizontal Angle = 0, Vertical Angle = 0 (adjusted from 45 in test)
 # 1 - Vertical Plane Through Horizontal Angles (0 - 180) (Through Max. Cd.)

										Zonal Lumen Summary			
										(Note: fixture rotated to 45° in test)			
	0	22.5	45	67.5	90	112.5	135	157.5	180	Zone	Lumens	%Lamp	%Fixt
0	675	675	675	675	675	675	675	675	675	0- 30	535	10.7	13.1
10	1042	1030	989	859	655	480	314	232	212	0- 40	964	19.3	23.7
20	1311	1242	1101	958	607	245	109	58	46	0- 60	2207	44.1	54.2
30	1555	1450	1217	925	534	125	46	146	182	0- 90	3699	74.0	90.8
40	1973	1819	1331	893	453	56	164	28	25	0- 120	365	7.3	9.0
50	2139	2025	1584	869	354	61	17	0	0	90- 130	377	7.5	9.2
60	1712	1688	1498	942	256	47	0	0	0	90- 150	377	7.5	9.2
70	1416	1322	1097	805	149	0	0	0	0	90- 180	377	7.5	9.2
80	1359	1248	899	429	41	0	0	0	0	0- 180	4075	81.5	100.0
90	1033	932	645	242	0	0	0	0	0				
100	597	524	309	55	0	0	0	0	0				
110	299	238	103	0	0	0	0	0	0				
120	103	79	41	0	0	0	0	0	0				
130	35	17	0	0	0	0	0	0	0				
140	0	0	0	0	0	0	0	0	0				
											Total Luminaire Efficiency = 81.5%		

Note: values reflect fixture rotated to 45° in test