



# FORUM

## QUASAR / PROJECTOR

### WALL / CEILING MOUNT

JOB \_\_\_\_\_

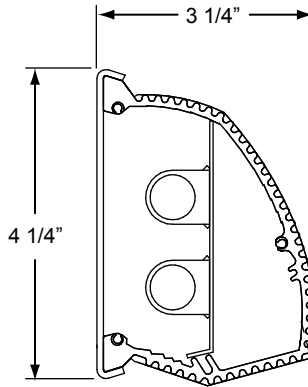
TYPE \_\_\_\_\_

#### FORUM QUASAR/PROJECTOR SERIES

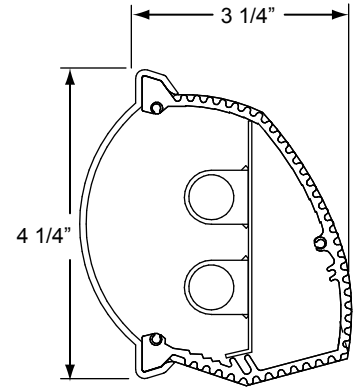
The **QUASAR/PROJECTOR** is a heavy duty luminaire with a high degree of beam control. The optics are designed to evenly illuminate either vertical or horizontal surfaces.

**APPLICATIONS:** Classrooms, Office Areas, Libraries, Lobbies, Retail Stores, Atriums.

**MOUNTING:** The **QUASAR/PROJECTOR** can be mounted to illuminate vertical or horizontal surfaces.



Damp Location



Wet Location

**QUASAR/  
PROJECTOR  
SERIES**

**Small  
Bodied**

**Type of Ballast**

2=Integral

**Fixture  
Length**

**Finish**  
WH=White (Standard)  
CC=Custom

**QUA**

W=Wet  
Location

**S**

**Lamping**  
03=1 T5 Lamp  
0303=2 T5 Lamps  
03H=1 T5HO Lamp  
0303H=2 T5HO Lamps  
\*\*05=1 T8 Lamp  
\*\*0505=2 T8 Lamps  
\*\*N/A with IPB

**Mounting**  
CM=Ceiling Mount  
WM=Wall Mount

**Voltage**  
120v  
277v

**Typical Options**  
\*IPB=Internal Parabolic  
Baffle  
\*ERB=External Radial  
Baffle  
\*EM1=550 Lumen EBP  
F=Fusing  
\* Damp Location Only

#### SPECIFICATION:

**HOUSING:** Shall be .125" thick extruded 6063-T5 aluminum with external surface ribbing for improved heat dissipation which will prolong lamp life. The standard finish for the housing is white. The end plates shall be .375" thick aluminum, gasketed. The ends shall be painted white (standard). Custom finishes and bright dip anodized finish available. Consult factory.

**LENS ASSEMBLY:** Snap on acrylic lens standard.

**REFLECTOR:** Shall be highly polished, multi-faceted prefocused anodized aluminum, with symmetrical or asymmetrical distribution available.

**PRODUCT LISTING:** Shall be U.L. listed for damp location. Wet Location optional.

**PATENT PENDING:** The housing contours of the luminaire constitute a trademark of Forum, Inc.

CANDLEPOWER DISTRIBUTION  
0 DEGREE PLANE CONTAINS MAXIMUM CANDLEPOWER

VERT	HORIZONTAL															
	.0	22.5	45.0	67.5	90.0	112.5	135.0	157.5	180.0	157.5	135.0	112.5	90.0	67.5	45.0	22.5
0	675.	675.	675.	675.	675.	675.	675.	675.	675.	675.	675.	675.	675.	675.	675.	675.
5	929.	899.	842.	756.	657.	586.	499.	434.	408.	408.	434.	499.	586.	657.	756.	842.
10	1042.	1030.	989.	859.	655.	480.	314.	232.	212.	212.	232.	314.	480.	655.	859.	989.
15	1140.	1106.	1027.	935.	649.	377.	206.	142.	124.	124.	142.	206.	377.	649.	935.	1027.
20	1311.	1242.	1101.	958.	607.	245.	109.	58.	46.	46.	58.	109.	245.	607.	958.	1101.
25	1390.	1326.	1143.	934.	582.	188.	68.	38.	29.	29.	38.	68.	188.	582.	934.	1143.
30	1555.	1450.	1217.	925.	534.	125.	46.	146.	182.	182.	146.	46.	125.	534.	925.	1217.
35	1741.	1578.	1242.	901.	500.	92.	107.	161.	92.	92.	107.	161.	92.	500.	901.	1242.
40	1973.	1819.	1331.	893.	453.	56.	164.	28.	25.	25.	28.	164.	56.	453.	893.	1331.
45	2220.	2052.	1536.	917.	410.	40.	43.	16.	16.	16.	16.	43.	40.	410.	917.	1536.
50	2139.	2025.	1584.	869.	354.	61.	17.	0.	0.	0.	0.	17.	61.	354.	869.	1584.
55	2048.	1971.	1626.	863.	303.	95.	0.	0.	0.	0.	0.	0.	95.	303.	863.	1626.
60	1712.	1688.	1498.	842.	256.	47.	0.	0.	0.	0.	0.	0.	47.	256.	842.	1498.
65	1531.	1479.	1368.	865.	202.	11.	0.	0.	0.	0.	0.	0.	11.	202.	865.	1368.
70	1416.	1322.	1097.	805.	149.	0.	0.	0.	0.	0.	0.	0.	0.	149.	805.	1097.
75	1371.	1250.	916.	640.	89.	0.	0.	0.	0.	0.	0.	0.	0.	89.	640.	916.
80	1359.	1248.	899.	429.	41.	0.	0.	0.	0.	0.	0.	0.	0.	41.	429.	899.
85	1253.	1143.	841.	351.	10.	0.	0.	0.	0.	0.	0.	0.	0.	10.	351.	841.
90	1033.	932.	645.	242.	0.	0.	0.	0.	0.	0.	0.	0.	0.	0.	242.	645.
95	786.	696.	434.	119.	0.	0.	0.	0.	0.	0.	0.	0.	0.	0.	119.	434.
100	597.	524.	309.	55.	0.	0.	0.	0.	0.	0.	0.	0.	0.	0.	55.	309.
105	456.	389.	190.	26.	0.	0.	0.	0.	0.	0.	0.	0.	0.	0.	26.	190.
110	299.	238.	103.	0.	0.	0.	0.	0.	0.	0.	0.	0.	0.	0.	0.	103.
115	170.	134.	56.	0.	0.	0.	0.	0.	0.	0.	0.	0.	0.	0.	56.	134.
120	103.	79.	41.	0.	0.	0.	0.	0.	0.	0.	0.	0.	0.	0.	41.	79.
125	62.	50.	0.	0.	0.	0.	0.	0.	0.	0.	0.	0.	0.	0.	50.	62.
130	35.	17.	0.	0.	0.	0.	0.	0.	0.	0.	0.	0.	0.	0.	17.	35.
135	0.	0.	0.	0.	0.	0.	0.	0.	0.	0.	0.	0.	0.	0.	0.	0.
140	0.	0.	0.	0.	0.	0.	0.	0.	0.	0.	0.	0.	0.	0.	0.	0.
145	0.	0.	0.	0.	0.	0.	0.	0.	0.	0.	0.	0.	0.	0.	0.	0.
150	0.	0.	0.	0.	0.	0.	0.	0.	0.	0.	0.	0.	0.	0.	0.	0.
155	0.	0.	0.	0.	0.	0.	0.	0.	0.	0.	0.	0.	0.	0.	0.	0.
160	0.	0.	0.	0.	0.	0.	0.	0.	0.	0.	0.	0.	0.	0.	0.	0.
165	0.	0.	0.	0.	0.	0.	0.	0.	0.	0.	0.	0.	0.	0.	0.	0.
170	0.	0.	0.	0.	0.	0.	0.	0.	0.	0.	0.	0.	0.	0.	0.	0.
175	0.	0.	0.	0.	0.	0.	0.	0.	0.	0.	0.	0.	0.	0.	0.	0.
180	0.	0.	0.	0.	0.	0.	0.	0.	0.	0.	0.	0.	0.	0.	0.	0.

