



# FORUM

## 6" ROUND

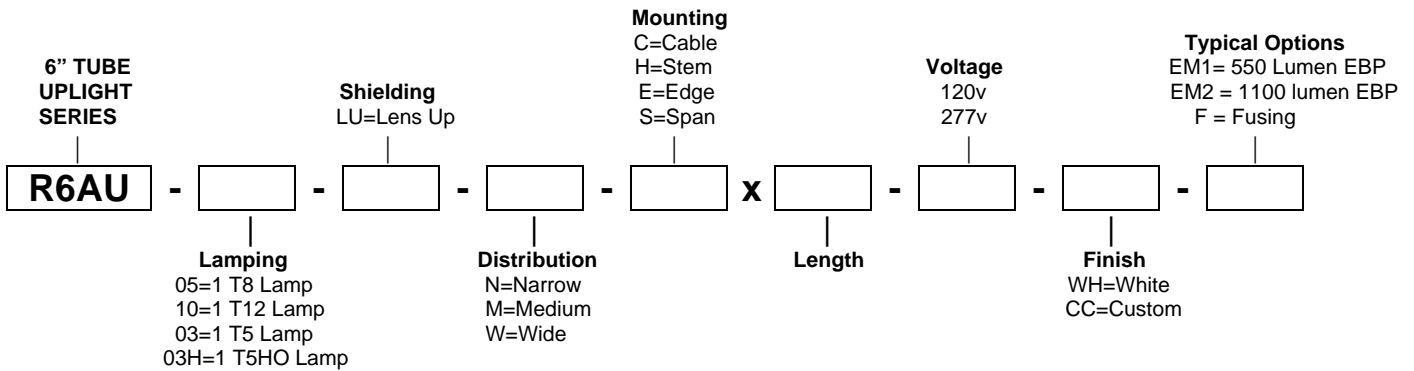
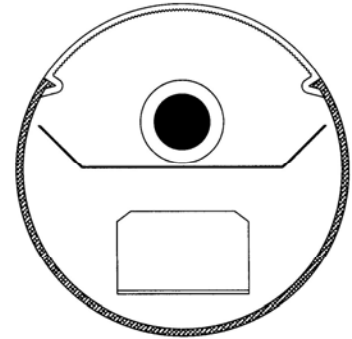
JOB \_\_\_\_\_

TYPE \_\_\_\_\_

**DESCRIPTION:** The FORUM/ROUND fixture provides an indirect general illumination where quality lighting is required to meet specific tasks.

**APPLICATIONS:** Classrooms, Office Areas, Libraries, Lobbies, Retail Stores, Design Centers.

**MOUNTING HEIGHTS:** The top of the fixture to ceiling should be a minimum of 18" for all fixtures (see mounting sheet for detail information).



### SPECIFICATION:

The FORUM/ROUND housing shall be 6" in diameter constructed of .125" aluminum extrusion 6063-T5 alloy for structural rigidity. Sockets shall be prewired and factory installed. The ends shall be .250" thick aluminum with no visible fasteners. Standard continuous single sections shall be 16 feet. Standard finish shall be white consisting of a high solids baked polyester paint pretreated with a five (5) stage cleaning/conversion coating rust inhibitor. Other painted architectural finishes available as well as satin anodized.

**REFLECTOR:** Reflector shall be die formed 22 gauge aluminum with 86% reflectivity.

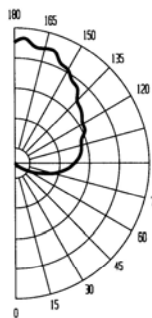
**LENS:** Shall be clear acrylic prismatic with 20% DR for optical control.

**BALLAST:** Ballast shall be energy saving CBM/ETL certified Class P.

**PRODUCT LISTING:** Shall be U.L. listed.

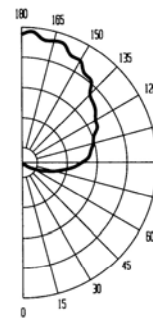
### CANDLEPOWER SUMMARY

**CATALOG NO.:** R6AU-05-L  
**LAMP TYPE:** F32T8/SP35/RS  
**LUMENS:** 2900  
**FIXTURE EFFICIENCY:** 72.9%  
**LUMINAIRE INPUT WATTS:** 35  
**TEST REPORT NO.:** B.A.L. 4957.0



ANGLE CANDELA LUMENS		
180	561	
175	579	55
165	549	154
155	509	229
145	466	270
135	411	263
125	382	248
115	360	225
105	320	192
95	299	170
90	277	
85	253	134
75	185	94
65	108	47
55	51	19
45	22	11
35	15	7
25	0	0
15	0	0
5	0	0
0	0	0

**CATALOG NO.:** R6AU-10-L  
**LAMP TYPE:** F40T12WWW/RS  
**LUMENS:** 3200  
**FIXTURE EFFICIENCY:** 67.7%  
**LUMINAIRE INPUT WATTS:** 44  
**TEST REPORT NO.:** B.A.L. 4939.0



ANGLE CANDELA LUMENS		
180	592	
175	607	58
165	582	163
155	544	242
145	505	285
135	446	283
125	416	267
115	385	240
105	341	200
95	311	169
90	277	
85	242	126
75	157	77
65	87	37
55	42	17
45	9	4
35	0	0
25	0	0
15	0	0
5	0	0
0	0	0