

FORUM TEMPO I

U.S. PATENT #4,293,900

TWR-1000/1MH-PR-a-24DB
TWR-1000/1MH-PR-a-24FB

FORUM/TEMPO achieves a new level of quality indirect lighting. The Tempo reflector is a multi faceted prefocused specular parabolic design. The individual segments of highly polished aluminum guarantee complete control of lumen output to yield the widest, most uniform distribution pattern of any indirect lighting system on the market today.

Applications: Tennis courts, gymnasiums, natatoriums, factory assembly areas and any high ceiling large area applications.

Mounting height: Because of the reflector's unique ability to distribute light over a wide, uniform area, Forum/Tempo can be mounted closer to the ceiling than any other indirect lighting system. Distance from the ceiling to the top of the reflector housing can be a minimum of 48".

SPECIFICATION:

Optical System - Shall consist of 16 individual highly polished aluminum reflector segments. Each segment is hydro-formed with 8 prefocused linear parabolic surfaces. Each surface is concave to minimize the amount of light that passes through the arc tube of the lamp.

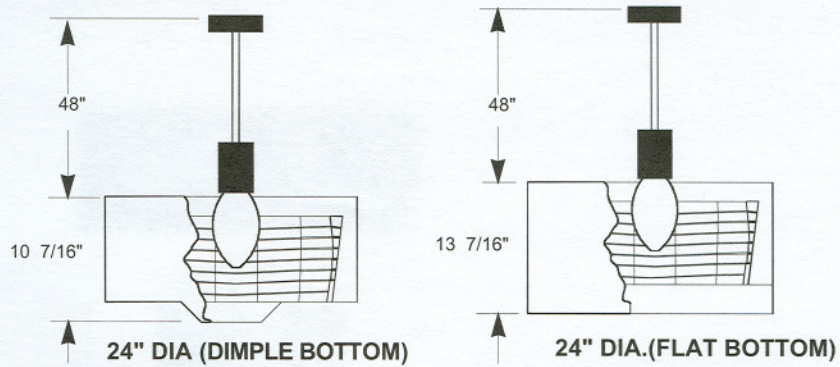
Housing - Shall be spun from 18 ga. steel (standard finish white). The shroud shall be hung from a single stem. The shroud shall be attached to the stem assembly with aircraft cable and can be serviced without tools.

Ballast - Shall be an indoor encased constant wattage auto transformer for remote mounting only.

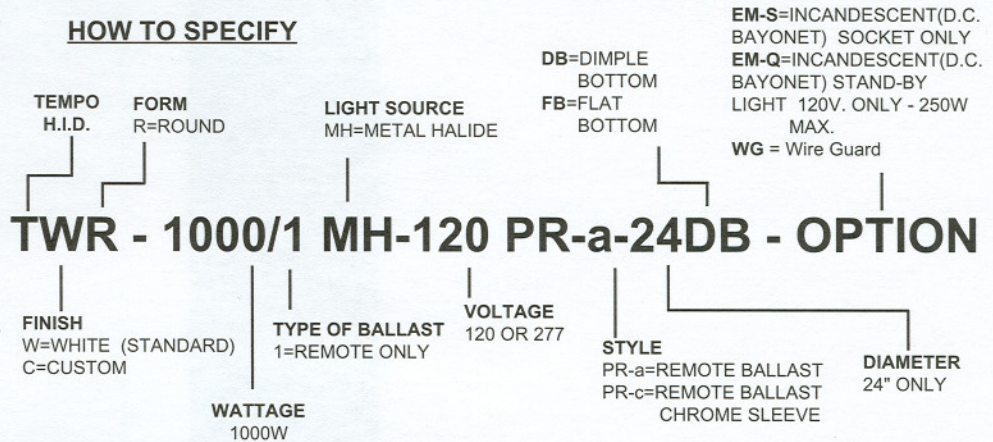
Square Housing - Available: 25" Sq. x 13 7/16" H.

PRODUCT LISTING: Shall be U.L. listed.

See **TEMPO I** mounting and accessories sheet.

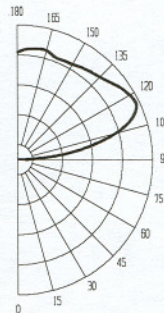


HOW TO SPECIFY



CANDLEPOWER SUMMARY

CATALOG NO.: TWR-1000 /1MH 24DB
LAMP TYPE: MH1000/C/U
LUMENS: 110,000
FIXTURE EFFICIENCY: 78.0%
LUMINAIRE INPUT WATTS: 1070
TEST REPORT NO.: B.A.L. 3905.0



ANGLE CANDELA LUMENS

ANGLE	CANDELA	LUMENS
180	14348	
175	14811	1414
165	15088	4277
155	14595	6755
145	14983	9413
135	15612	12091
125	16763	15039
115	17490	17361
105	13460	14240
95	4736	5168
90	1113	0
85	0	0
75	0	0
65	0	0
55	0	0
45	0	0
35	0	0
25	0	0
15	0	0
5	0	0
0	0	0