

# FORUM TEMPO SATURN

U.S. PATENT #4,293,900

Job \_\_\_\_\_

Fixture Type \_\_\_\_\_

**FORUM/TEMPO SATURN** The Saturn possesses an eye-catching brilliance. The neon effect created as the light glows through a translucent colored ring gives Saturn a quality all its own. The Tempo optical system combined with a fresnel lens provides the advantages of a controlled down lighting component with the superior performance of an indirect system.

**Applications:** Restaurants, retail shops, malls and airports.

**Mounting height:** Forum Saturn can be mounted closer to the ceiling than any other indirect lighting system. Distance from the ceiling to the top of the reflector housing can be a minimum of 18".

### SPECIFICATION:

**Optical System** - Shall consist of individual highly polished aluminum reflector segments. 16 segments for the 24" dia. housing and 12 segments for the 18" dia. Each segment is hydro-formed with prefocused linear parabolic surfaces. 8 surfaces for the 24" dia. and 6 surfaces for the 18" dia.

**Lens** - Shall be 10 1/2" dia. for the 18" dia. shroud or 13 1/2" dia. for the 24" dia. shroud. It shall be fresnel and made of 5/16" thick borosilicate glass. **OPTIONAL:** 1/8" thick opal acrylic overlay to the fresnel lens.

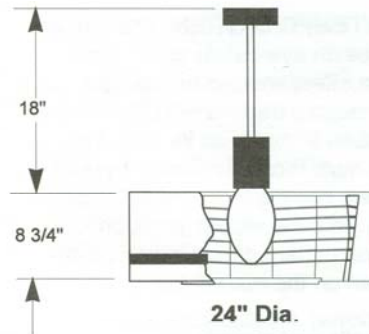
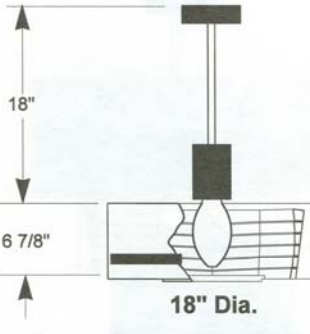
**Optical Ring** - Shall be translucent colored acrylic. (See color catalog)

**Housing** - Shall be spun from 18 ga. steel (standard finish white). The shroud shall be hung from a single stem. The shroud shall be attached to the stem assembly with aircraft cable and can be serviced without tools.

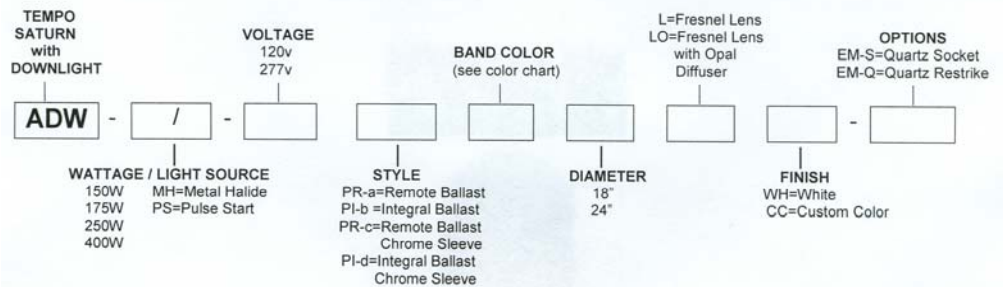
**Ballast** - Shall be encased and potted, HPF, CWA with B sound rating for integral canopy and C for remote mounting. Integral ballasts are mounted to a plate which is fastened to the ceiling over an outlet box. Remote - Refer to Mounting/Accessories Sheet.

**PRODUCT LISTING:** Shall be U.L. listed.

See **TEMPO I mounting and accessories sheet.**



### HOW TO SPECIFY



### CANDLEPOWER SUMMARY

**CATALOG NO.:** ADW-250/ MH (18" DIA)  
**LAMP TYPE:** MH250/C/U  
**LUMENS:** 20,500  
**FIXTURE EFFICIENCY:** 69.7%  
**LUMINAIRE INPUT WATTS:** 295  
**TEST REPORT NO.:** B.A.L. 4934.0

**CATALOG NO.:** ADW-400/ MH (24" DIA)  
**LAMP TYPE:** MH400/C/U  
**LUMENS:** 36,000  
**FIXTURE EFFICIENCY:** 82.1%  
**LUMINAIRE INPUT WATTS:** 450  
**TEST REPORT NO.:** B.A.L. 4936.0

ANGLE CANDELA LUMENS		
180	1489	
175	1467	140
165	1470	417
155	1764	816
145	1996	1254
135	2186	1693
125	2351	2110
115	2330	2313
105	1971	2086
95	628	686
90	60	
85	59	64
75	106	112
65	165	163
55	227	204
45	411	318
35	941	591
25	1543	714
15	1638	464
5	1482	142
0	1466	

ANGLE CANDELA LUMENS		
180	3183	
175	3369	322
165	3217	912
155	3047	1410
145	3063	1924
135	3408	2639
125	4529	4063
115	6833	6783
105	3987	4217
95	476	519
90	62	
85	54	59
75	117	124
65	82	81
55	124	111
45	267	207
35	1334	838
25	5035	2331
15	7722	2189
5	8723	833
0	8467	