



FORUM WEDGE

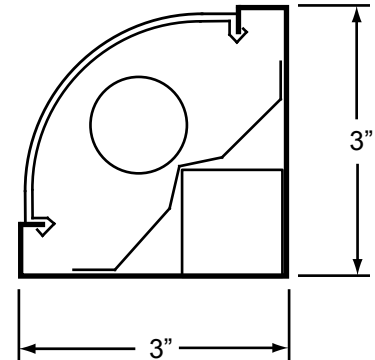
JOB _____

TYPE _____

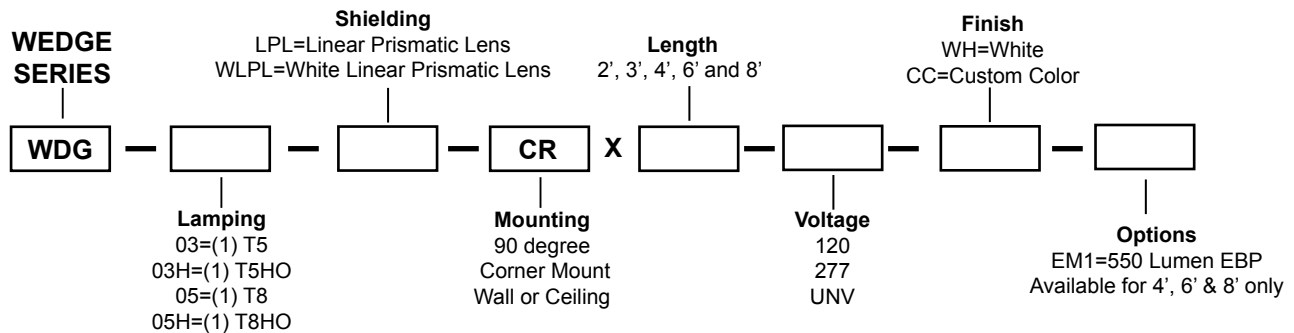
DESCRIPTION: The **FORUM/WEDGE** is a small profile quarter round style fixture designed to be mounted either vertically or horizontally in 90 degree corner applications. Provides a wide angle, uniform, low brightness level of illumination.

APPLICATIONS: Designed to be used in corridors, offices, restrooms, dressing rooms or any location where high levels of uniform lighting are required. With the addition of an emergency ballast, the **FORUM/WEDGE** is the perfect fixture for stairwell applications.

MOUNTING: The **FORUM/WEDGE** is designed to be surface mounted at the 90 degree intersection of two walls or wall and ceiling. The fixture can also be wall mounted to provide mostly indirect distribution (lens facing up) or mostly direct distribution (lens facing down).



SPECIAL FEATURES: Decorative CNC machined aluminum end caps in conjunction with a die-formed 20 ga. CRS housing provides a contemporary styled fixture at a competitive price level.



SPECIFICATIONS:

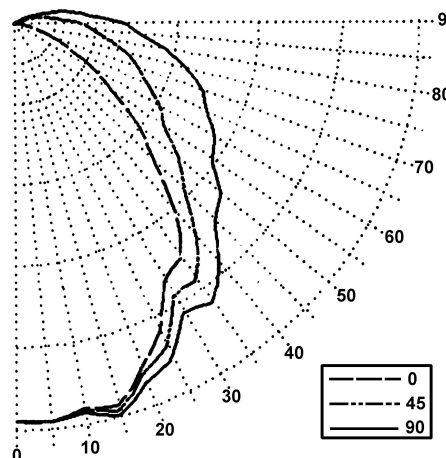
The **FORUM/WEDGE** housing is manufactured from 20 gauge CRS with CNC machined aluminum end caps. Sockets shall be prewired and factory installed. Lamp shall be shielded by either a linear prismatic or white opal linear prismatic lens.

REFLECTOR: Reflector shall be die-formed, computer generated .025" white aluminum for maximum reflectivity.

BALLAST: Electronic High power factor with thermal protection.

PRODUCT LISTING: Shall be U.L./CUL listed for damp location.

FIXTURE TEST ORIENTATION



CANDLEPOWER SUMMARY

CATALOG NO.: WDG-05-LPL-CR4-120-WH
LAMP TYPE: F32T8/SP35/RS
LUMENS: 2900.
FIXTURE EFFICIENCY: 67.5%
LUMINAIRE INPUT WATTS: 35w
TEST REPORT NO.: B.A.L. 7699.0

ANGLE	CANDELA	LUMENS
180	0.	
175	0.	0.0
165	0.	0.0
155	0.	0.0
145	0.	0.0
135	4.	0.4
125	10.	3.1
115	30.	13.2
105	75.	39.3
95	123.	69.1
90	169.	
85	194.	118.0
75	272.	174.8
65	325.	215.0
55	369.	248.7
45	434.	284.5
35	525.	304.1
25	567.	252.6
15	622.	174.5
5	626.	59.2
0	611.	