



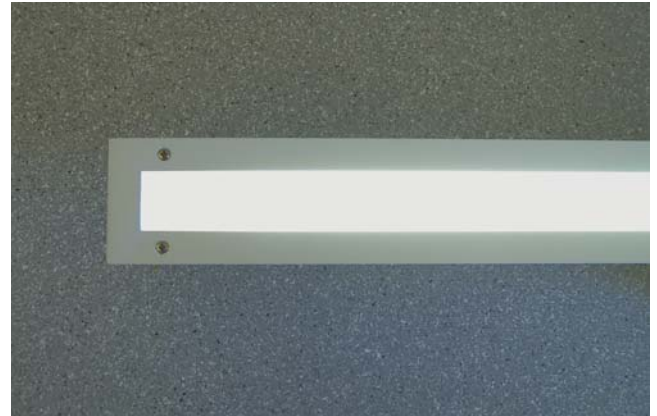
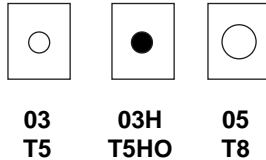
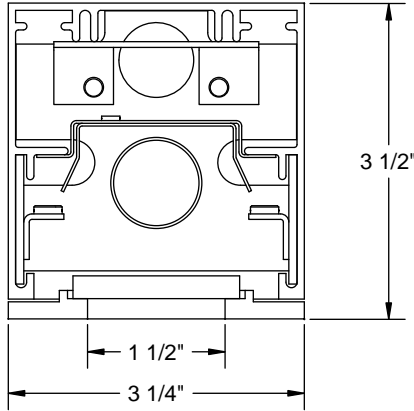
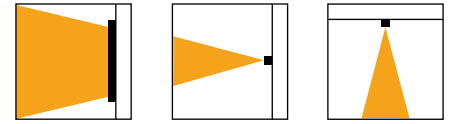
FORUM

MINI FORECAST
ALUMINUM SERIES

3"x3" WET LOCATION SURFACE / WALL MOUNT

JOB _____

FIXTURE TYPE _____



ORDERING CODE

Mini Forecast
Aluminum Series
Direct Distribution

Nominal Housing
Dimensions
H x W

Mounting:
CM = Ceiling Mount
WM = Wall Mount

Voltage:
120 = 120V
277 = 277V
UNV = Universal

Finish:
WH = White (Standard)
CC = Custom Color
AZ = Natural Anodized

* Consult Factory
** Specify Manufacturer

Wet
Location

Lamping:
03 = 1T5
03H = 1T5HO
05 = 1T8

Length:
2 = 2'
3 = 3'
4 = 4'

End Treatment:
FE = Flat End
SF = Seam Free

SAD-W - 33 - [] - **FLG** - [] x [] - [] - [] - [] - []

Shielding:
FLG = Laminated Safety Glass
with Frosted Interlayer
Mounted in Welded
Aluminum Frame

Options:
EC = Emergency Circuit
*EM1 = 550 Lumen EBP
*EM2 = 1100 Lumen EBP

**DIM = Dimming
F = Fusing

DESCRIPTION

The **MINI-FORECAST** series is a compilation of rectilinear profiles specifically designed for the specification market. Clean aesthetic lines are achieved through the use of extruded external housing components, produced from aircraft grade aluminum that provides a structurally integral unitized assembly. Attention to function is evident in the design of the internal joining components which are die formed and designed to ease the process for the installing contractor. Superior optical performance is achieved through the use of computer enhanced reflector design and cutting edge coating materials. The Mini-Forecast family of products brings classic style forward to a new level of performance.

SPECIFICATION

HOUSING: Comprised of a single extruded profile to provide a nominal 3x3 housing envelope. 6063-T5 alloy is used to achieve a minimum wall thickness of 0.070". All housings are finished through a multistage triphosphor wash cycle followed by the electrostatic application of a polyester hybrid powder coat which is then baked on to achieve a uniform white finish. Custom colors are available to the designer.

END FITTINGS: Applied end fitting options give the designer vast flexibility in the final appearance of the luminous system. Standard, a flat end of .25" thick aluminum minimum is applied with concealed fasteners, providing a hairline seam that complements the clean lines of the rectilinear shape.

REFLECTOR: Computer enhanced design is applied to a 22 gauge aluminum sub straight. The reflector is coated with an optically pure white finish that provides a minimum reflectance of 86%.

BALLAST: Each luminaire is provided with an electronic ballast. Standard, a multi-lamp high power factor, low THD universal voltage product is used. If a project requires a specific performance ballast please contact the factory for availability.

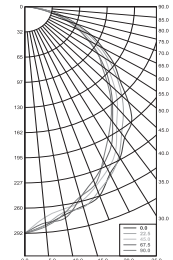
SHIELDING: A frosted laminated safety glass is provided as the standard diffusing medium. By layering 1/8" safety glass around a frosted polymer interlayer a functional as well as visually pleasing diffusing element is created

MOUNTING: The fixture is created to be surface mounted via gasketed hardware through the top/rear of the aluminum housing

LISTINGS: All fixtures bare an AFL-CIO/IBEW union label and are UL listed for wet location.

PERFORMANCE

Zone	Lumens	%Lamp	%Fixt
0- 30	207	7.1	30.6
0- 40	326	11.3	48.3
0- 60	546	18.8	80.8
0- 90	675	23.3	100.0
90-180	0.0	0.0	0.0
0-180	675	23.3	100.0



Candela	Distribution:					
	0.0'	22.5'	45.0'	67.5'	90.0'	
0.0'	292.1	292.1	292.1	292.1	292.1	
5.0'	282.5	282.1	272.5	279.7	284.5	
10.0'	272.5	269.0	265.1	276.5	270.5	
15.0'	266.3	267.8	259.6	254.5	253.5	
20.0'	259.1	254.0	245.8	238.0	243.6	
25.0'	238.0	240.4	231.9	222.1	218.7	
30.0'	225.1	222.5	214.8	205.2	196.8	
35.0'	206.1	199.7	189.4	181.1	177.7	
40.0'	196.1	181.5	170.7	161.3	158.7	
45.0'	173.1	162.4	151.4	142.2	137.8	
50.0'	146.5	141.9	130.9	123.6	119.2	
55.0'	129.2	122.5	115.2	104.7	105.9	
60.0'	106.9	102.6	93.5	86.8	87.3	
65.0'	87.2	82.0	76.0	70.9	71.0	
70.0'	64.6	62.7	58.3	55.6	53.2	
75.0'	47.2	43.6	39.9	36.5	35.4	
80.0'	26.6	24.8	22.5	19.3	17.8	
85.0'	10.9	9.7	7.7	7.6	7.1	
90.0'	2.3	1.4	2.3	2.2	2.2	