

LED

ALUMINA⁴ REC

BY FORUM

The **ALUMINA 4 REC** series by FORUM is a line of extruded aluminum rectilinear recessed luminaires. The 4 is a 4 1/2" wide housing with a 4" aperture. **ALUMINA 4 REC** can be lamped with LED.

LAMPING OPTIONS
AT A GLANCE:

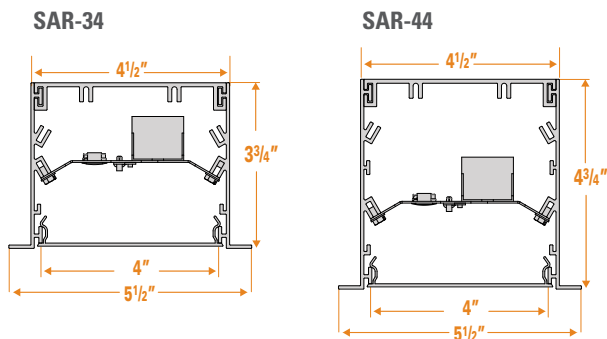


JOB: _____ TYPE: _____

ORDERING CODE

PROFILE	LAMPING	SHIELDING	LENGTH	VOLTAGE	FINISH	OPTION 1	OPTION 2	OPTION 3
34 3 3/4" height*	65 650 lm/ft 6.5 input watts/ft*	27 2700k temp 93.5% special order option	SAT Satin Lens	2 3 2' 3'	120V	WH White	F Fusing	EMLED LED battery pk
44 4 3/4" height	95 950 lm/ft 9.5 input watts/ft*	30 3000k temp 95.2%	WOL White Opal Lens	4 5 4' 5'	277V	SV Silver	90 CRI 90 CRI	SW Separate Switch
	*assumes 4000k w/ satin lens Lumen Multiplier = % of 4000K Consult factory for limitations	35 3500k temp 96.8%		6 7 6' 7'	UNV Universal	BK Black		EC Emergency Circuit
		40 4000k temp 100%		8 8'		CC Custom Color Provide custom color RAL#:	DIMMING OPTIONS	
	Custom Output (min 460/max 1610 lm/ft)	50 5000k temp 103%		Spec. run length:			D10V 0-10V dimming 1% power class	DLA2 Lutron Hi-Lume 1% 2-wire LED driver (120V forward phase only)
	LED lm/ft temp			Standard run length in even foot increments.			DLA3 Lutron Hi-Lume 1% 3-wire LED driver	DLA5 Lutron Hi-Lume 1% EcoSystem LED driver
				Individual units cannot be joined in field to create runs.			DLEH5 Lutron Hi-Lume 1%-H EcoSystem LED driver with soft-On, Fade-to-Black	DLE55 Lutron 5-Series EcoSystem LED driver
							DALI Digitally Addressable Lighting Interface	DIM Dimming Please specify dimming manufacturer/model (if required)

PROFILE DRAWINGS



SPECIFICATIONS

LISTING All fixtures bare an AFL-CIO/IBEW union label and are UL listed for wall and mounting.

DRIVER 120V, 277V, and Universal Voltage available standard. Five year warranty. Please consult factory for special driver requirements.

SHIELDING Satin and white opal lenses are snap in.

HOUSING Consists of a single solid 6063-T5 extruded alloy profile. Built in individual pieces up to 8 ft in length. Individual fixtures cannot be joined in field to form continuous runs. Fixtures longer than 8 ft must be ordered as continuous runs.

GEARTRAY / REFLECTOR Integrated geartray and reflector made from .040" aluminum in a pre-paint white finish. Fully wired unit remains completely accessible from below via ballast panel.

END FITTING Applied end fitting is a standard .375" machined aluminum piece with concealed fasteners.

LED SYSTEM Forum utilizes a tunable LED system capable of supplying between 460-1610 lumens per foot. To specify specific lumen output other than standard 950 or 650, drop the last digit of the per foot lumen output desired, i.e. 400lm/ft.= 40LED35

FLANGE Alumina REC is available with 1/2" overlap flange on the perimeter for hard ceiling installation.

* Forum reserves the right to change this information at any time. UPDATED 07/12/17

* Dimensions provided as general information. Please see shop drawings for specific rough-in dimensions.