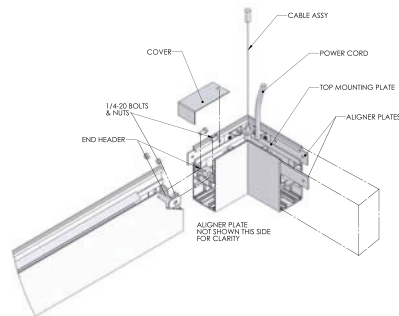
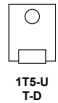
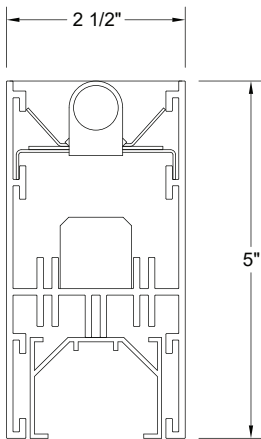


**ALUMINA 525**  
EXTRUDED ALUMINUM SERIES  
5" x 2 1/2" RECTILINEAR LUMINAIRE



**ORDERING CODE**

<b>Mini Forecast Rectlineair Direct/Indirect Aluminum Series</b>	<b>Nominal Housing Dimensions H x W</b>	<b>Lamping UP:</b> 03 = 1T5 03H = 1T5HO LED = LED Consult Factory	<b>Shielding Up:</b> OP = Open CAL = Clear Acrylic Lens	<b>Mounting:</b> C = Cable Mount H = Stem Mount WB = Wall Bracket	<b>Length:</b> 3 = 3' 4 = 4' 6 = 6' 8 = 8' 12 = 12' XX = Run Length in Feet	<b>Voltage:</b> 120 = 120 V 277 = 277 V UNV = Universal	<b>Finish:</b> WH = White (Standard) CC = Custom Color AZ = Anodized	<b>End Treatment:</b> FE = Flat End (Standard) ME = Machined End SF = Seam Free End	<b>Track*:</b> CST = Customer Supplied Track JT1= Juno Single Circuit Track HT1= Halo Single Circuit Track LS1= LSI Single Circuit Trac /B= Black Track /W= White Track /S= Silver Track	<b>Options:</b> EC = Emergency Circuit EM1 = 550 Lumen EBP* EM2 = 1100 Lumen EBP* DIM = Dimming** F = Fusing						
SAUT - 525 -	[ ]	/ TD -	[ ]	/	[ ]	X	-	[ ]	-	[ ]	-	[ ]	-	[ ]	-	[ ]

\* Consult Factory  
\*\* Specify Manufacturer

**SPECIFICATION**

**HOUSING:** Comprised of single one piece extruded profile to provide a nominal 5 x 2 1/2 housing envelope. 6063-T5 alloy is used to achieve a minimum wall thickness of 0.070". All housings are finished through a multistage triphospher wash cycle followed by the electrostatic application of a polyester hybrid powder coat which is then baked on to achieve a uniform white finish. Custom colors are available to the designer.

**END FITTINGS:** Applied end fitting options give the designer vast flexibility in the final appearance of the luminous system. Standard, a flat end of .090" thick aluminum minimum is applied with concealed fasteners, providing a hairline seem that compliments the clean lines of the rectilinear shape.

**REFLECTOR:** Computer enhanced design is applied to a 22 gauge aluminum sub straight. The reflector is coated with an optically pure white finish that provides a minimum reflectance of 86%.

**BALLAST:** Each Luminaire is provided with an electronic ballast. Standard, a multi-lamp high power factor, low THD universal voltage product is used. If a project requires a specific performance ballast please contact the factory for availability.

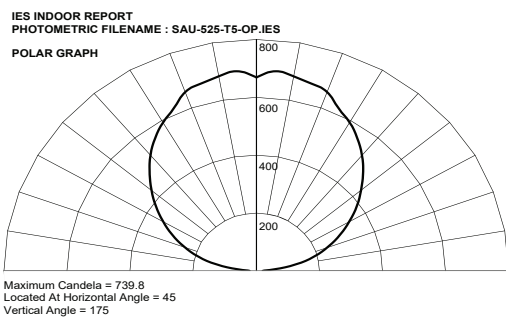
**TRACK:** Standard configuration calls for black Juno style track, factory supplied. Customer supplied track of choice is optional, consult factory for more information

**CABLE SUPPORT:** 1/16" thin stainless steel aircraft cable, pre-installed at the factory to help reduce labor and confusion in the field. Provided as standard, a fully adjustable 18" hanging assembly is supplied. Varying lengths are available upon request. At all power feed locations an 18/3 white SJT power cord is provided and installed as well.

**WALL BRACKET SUPPORT:** the standard wall bracket is fabricated from extruded aluminum components, and mechanically attached to the housing. Standard stand-off is 1" so as to meet ADA requirements, consult factory for additional mounting configurations

**LISTINGS:** All fixtures bare an AFL-CIO/IBEW union label and are UL listed for damp location.

**PERFORMANCE**



**Zonal Lumen Summary**

Zone	Lumens	%Lamp	%Fixt
90-120	550	19.0	23.5
90-130	1749	60.3	74.6
90-180	2344	80.8	100.0
0-180	2344	80.8	100.0
Total Luminaire Efficiency = 80.8%			