

LED

AQUAS 4 BY FORUM

The **AQUAS 4** series by FORUM is a line of extruded aluminum rectilinear luminaires approved for wet location, allowing for design consistency throughout wet and dry locations. The 4 is a 4 1/2" wide housing with a 4" aperture. Multiple mounting configurations are available including rigid stem, surface as well as wall mounted. **AQUAS 4** can be lamped with LED.

JOB: _____ TYPE: _____

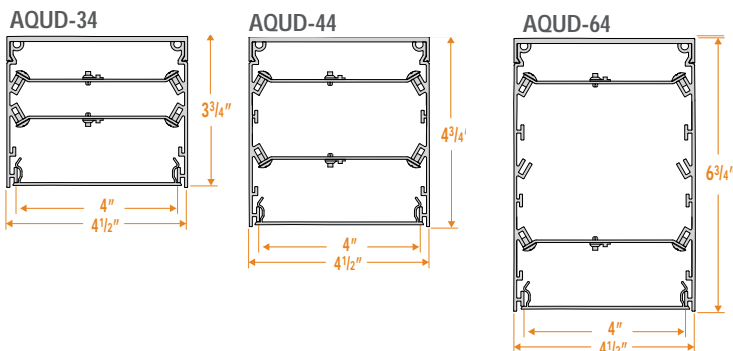
LAMPING OPTIONS
AT A GLANCE:



ORDERING CODE

		Indirect	Direct	Indirect	Direct										
DISTRIBUTION	PROFILE	LAMPING		SHIELDING	MOUNTING	LENGTH	VOLTAGE	FINISH	OPTION 1	OPTION 2	OPTION 3				
AQD Direct	34 3 3/4" height*	65 650 lm/ft 6.5 input watts/ft*	27 2700k temp 93.5% special order option	SAT Satin Lens*	H Stem Mount *	2 3 2' 3'	120V	WH White	F Fusing	EMLED LED battery pk					
AQU Indirect	44 4 3/4" height	95 950 lm/ft 9.5 input watts/ft*	30 3000k temp 95.2%	WOL White Opal Lens*	S Surface Mount	4 5 4' 5'	277V	SV Silver	90 CRI 90 CRI	SW Separate Switch					
AQUD Direct/Indirect	64 6 3/4" height	*assumes 4000k w/ satin lens Lumen Multiplier = % of 4000K Consult factory for limitations	35 3500k temp 96.8%	CFA Clear Frosted Acrylic**	W Wall Bracket Mount	6 7 6' 7'	UNV Universal	BK Black			EC Emergency Circuit				
	*AQUD available in LED only	Custom Output (min 460/max 1610 lm/ft)		*Direct Only **Indirect Only	*Spec. stem length:	8 8'		CC Custom Color Provide custom color RAL#:	DIMMING OPTIONS						
			40 4000k temp 100%			Spec. run length:			D10V 0-10V dimming 1% power class	DLA2 Lutron Hi-Lume 1% 2-wire LED driver (120V forward phase only)					
			50 5000k temp 103%			Standard run length in even foot increments.			DLA3 Lutron Hi-Lume 1% 3-wire LED driver	DLA5 Lutron Hi-Lume 1% EcoSystem LED driver					
						Individual units cannot be joined in field to create runs.			DLEH5 Lutron Hi-Lume 1%-H EcoSystem LED driver with soft-On, Fade-to-Black	DLE55 Lutron 5-Series EcoSystem LED driver					
									DALI Digitally Addressable Lighting Interface	DIM Dimming Please specify dimming manufacturer/model (if required)					

PROFILE DRAWINGS



SPECIFICATIONS

LISTING All fixtures bare an AFL-CIO/IBEW union label and are UL listed for wall and mounting and wet location rated.

DRIVER 120V, 277V, and Universal Voltage available standard. Five year warranty. Please consult factory for special driver requirements.

SHIELDING Satin, clear frosted, and white opal lenses are snap in.

MOUNTING The Aquas 4 fixture can be mounted in various orientations including wall mount, stem mount, and surface mount. Please see supplemental documentation for mounting details.

HOUSING Consists of a single solid 6063-T5 extruded alloy profile. Built in individual pieces up to 8 ft in length. Individual fixtures cannot be joined in field to form continuous runs. Fixtures longer than 8 ft must be ordered as continuous runs.

GEARTRAY / REFLECTOR Integrated geartray and reflector made from .040" aluminum in a pre-paint white finish. Fully wired unit remains completely accessible from below via ballast panel.

END FITTING Applied end fitting is a standard .375" machined aluminum piece with concealed fasteners.

LED SYSTEM Forum utilizes a tunable LED system capable of supplying between 460-1610 lumens per foot. To specify specific lumen output other than standard 950 or 650, drop the last digit of the per foot lumen output desired, i.e. 400lm/ft. = 40LED35

* Forum reserves the right to change this information at any time. UPDATED 06/26/17

† Dimensions provided as general information. Please see shop drawings for specific rough-in dimensions.