

LED

ALUMINA22 BY FORUM LIGHTING

The **22** is a mere two inches square of aluminum extrusion which can be configured to outperform systems four times the size. The **22** is available in indirect or direct, as well as discreet bidirectional distribution. **22** can be suspended from ultra-thin aircraft cable or rigid stem, edge or bracket mounted to a vertical or horizontal surface. **22** can be configured in linear ribbons of illumination, or as varied and complex linear patterns traversing from the horizontal to vertical planes. Incorporates point source chip on board down light components, all integrated in selectable distribution performance envelopes.

JOB: _____ **TYPE:** _____

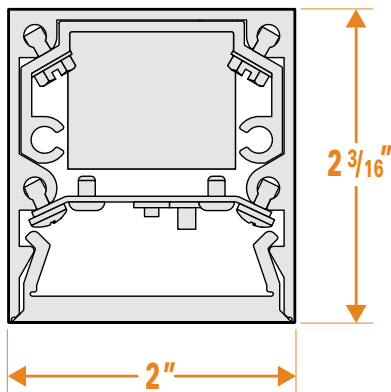
LAMPING OPTIONS AT A GLANCE:



ORDERING CODE

Indirect		Direct		Indirect		Direct				
- 22 -		LED		/		LED		X		
DISTRIBUTION	PROFILE	LAMPING	SHIELDING	MOUNTING	LENGTH	VOLTAGE	FINISH	OPTION 1	OPTION 2	OPTION 3
SAD Direct	22 2 1/8" square	65 650 lm/ft 6.5 input watts/ft*	27 2700k temp 93.5% special order option	WOL White Opal Lens	H Stem Mount *	1 2 1' 2'	120V	WH White	SF Seam-Free End	EMLED LED battery pk
SAU Indirect		95 950 lm/ft 9.5 input watts/ft*	30 3000k temp 95.2%		C Cable Mount *	3 4 3' 4'	277V	SV Silver	MR 37W MAX MR Module (see addendum for calculation specs)	SW Separate Switch
SAUD* Direct/Indirect		35 3500k temp 96.8%	40 4000k temp 100%		S Surface Mount†	5 6 5' 6'	UNV Universal	BK Black	EC Emergency Circuit	F Fusing
* Requires remote driver.		*assumes 4000k w/ satin lens	50 5000k temp 103%		W Wall Mount	7 8 8' 8'		CC Custom Color	DIMMING OPTIONS	
		Lumen Multiplier = % of 4000K			*Spec. cable / stem length:	9 10 9' 10'		Provide custom color RAL#:	D10V 0-10V dimming 1% power class	DLA2 Lutron Hi-lume 1% 2-wire LED driver (120V forward phase only)
		Consult factory for limitations			†Available in SAD (Direct) ONLY.	11 12 11' 12'			DLA3 Lutron Hi-lume 1% 3-wire LED driver	DLA5 Lutron Hi-lume 1% EcoSystem LED driver
		Custom Output (consult factory for min/max)							DLEH5 Lutron Hi-lume 1%-H EcoSystem LED driver with soft-On, Fade-to-Black	DLE55 Lutron 5-Series EcoSystem LED driver
		lm/ft LED temp							DALI Digitally Addressable Lighting Interface	DIM Dimming Please specify dimming manufacturer/model (if required)
						Standard run length in even foot increments.				
						Individual units cannot be joined in field to create runs.				

PROFILE DRAWING



SPECIFICATIONS

LISTING All fixtures bare an AFL-CIO/IBEW union label and are UL listed for surface mounting and damp location rated. For alternative environmental certifications, please consult factory.

DRIVER 120V, 277V, and Universal Voltage available standard. Five year warranty. Please consult factory for special driver requirements.

SHIELDING Satin frosted and white opal lenses are snap in. Parabolic baffles are made from high quality aluminum and come in a variety of finishes.

MOUNTING The Alumina22 fixture can be mounted in various orientations including wall mount, cable mount, stem mount, and surface mount. Please see supplemental documentation for mounting details.

HOUSING Consists of a single solid 6063-T5 extruded alloy profile. Built in individual pieces up to 12 ft in length. Individual fixtures cannot be joined in field to form continuous runs. Fixtures longer than 12 ft must be ordered as continuous runs.

GEARTRAY / REFLECTOR Integrated geartray and reflector made from 18 GA cold rolled steel in a pre-paint white finish. Fully wired unit remains completely accessible from below via ballast panel.

END FITTING Applied end fitting is a standard .375" machined aluminum piece with concealed fasteners.

LED SYSTEM Forum utilizes a tunable LED system capable of supplying between 350-950 lumens per foot. To specify specific lumen output other than standard 950 or 650, drop the last digit of the per foot lumen output desired, i.e. 400lm/ft. = 40LED35

* Forum reserves the right to change this information at any time. UPDATED 02/04/19

† Dimensions provided as general information. Please see shop drawings for specific rough-in dimensions.