

LED

## ARCR 3

BY FORUM  
LIGHTING

The **ARCR 3** series by FORUM is a recessed line of extruded aluminum curvi-linear luminaires. The 3 is a 2 15/16" wide housing with a 1 15/16" aperture. **ARCR 3** is lamped with premium LED components.

LAMPING OPTIONS  
AT A GLANCE:

JOB: \_\_\_\_\_ TYPE: \_\_\_\_\_

## ORDERING CODE

## ARCR-F -

## LED

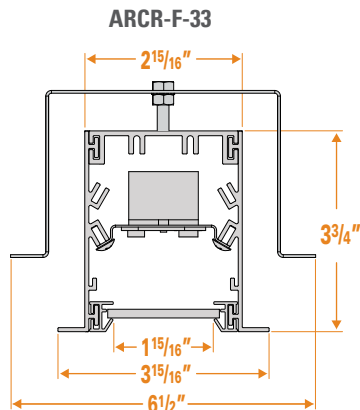
PROFILE	LAMPING	SHIELDING	SHAPE	LENGTH	VOLTAGE	FINISH	OPTION	OPTION 2	OPTION 3
33 3 3/4" height	65 650 lm/ft 6.1 input watts/ft*	27 2700k temp 93.5% special order option	WOL White Opal Lens	REC Rectangle	Specify fixture total linear feet	120V	WH White	SF Seam-Free End	EMLED LED battery pk
				CIR Circle			*See work- sheet	277V	SV Silver
	95 950 lm/ft 8.9 input watts/ft*	30 3000k temp 95.2%	MS Misc. Shape Individual units cannot be joined in field to create runs.	SQU Square	UNV Universal	BK Black	F Fusing	EC Emergency Circuit	
				CC Custom Color Provide custom color RAL#:		DIMMING OPTIONS			
*assumes 4000k w/ satin lens  Lumen Multiplier = % of 4000K  Consult factory for limitations	35 3500k temp 96.8%	40 4000k temp 100%	50 5000k temp 103%	Custom Output (460 lm/ft-1610 lm/ft)			D10V 0-10V dimming 1% power class	DLA2 Lutron Hi-Lume 1% 2-wire LED driver (120V forward phase only)	
							DLEH5 Lutron Hi-Lume 1%-H EcoSystem LED driver with soft-On, Fade- to-Black	DLE55 Lutron 5-Series EcoSystem LED driver	
							DALI Digitally Addressable Lighting Interface	DIM Dimming  Please specify dimming manufacturer/model (if required)	

## OPTIONS

## PROFILE DRAWINGS

## SPECIFICATIONS

3" w	Profile: 33
3" h	Options: ARCR-F



**LISTING** All fixtures bear an AFL-CIO/IBEW union label and are ETL listed for surface mounting and damp location rated. For alternative environmental certifications, please consult factory.

**DRIVER** 120V, 277V, and Universal Voltage available standard. Five year warranty. Please consult factory for special driver requirements.

**SHIELDING** White opal lenses are snap in direct, lay-on indirect. Clear frosted acrylic lenses are lay-on indirect

**MOUNTING** The ARCR 3 fixture is a recessed fixture attached to blocking via mounting yoke. Please see supplemental documentation for mounting details.

**HOUSING** Consists of a 6063-T5 extruded alloy profile. Built in individual pieces up to 12 ft in length. Individual fixtures cannot be joined in field to form continuous runs. Fixtures longer than 12 ft must be ordered as continuous system.

**GEARTRAY / REFLECTOR** Integrated geartray and reflector made from .040" aluminum in a pre-paint white finish. Fully wired unit remains completely accessible from below via ballast panel.

**END FITTING** Applied end fitting is a standard .375" machined aluminum piece with concealed fasteners.

**LED SYSTEM** Forum utilizes a tunable LED system capable of supplying between 350-950 lumens per foot. To specify specific lumen output other than standard 950 or 650, drop the last digit of the per foot lumen output desired, i.e. 400lm/ft.= 40LED35

\* Forum reserves the right to change this information at any time. UPDATED 12/18/2018

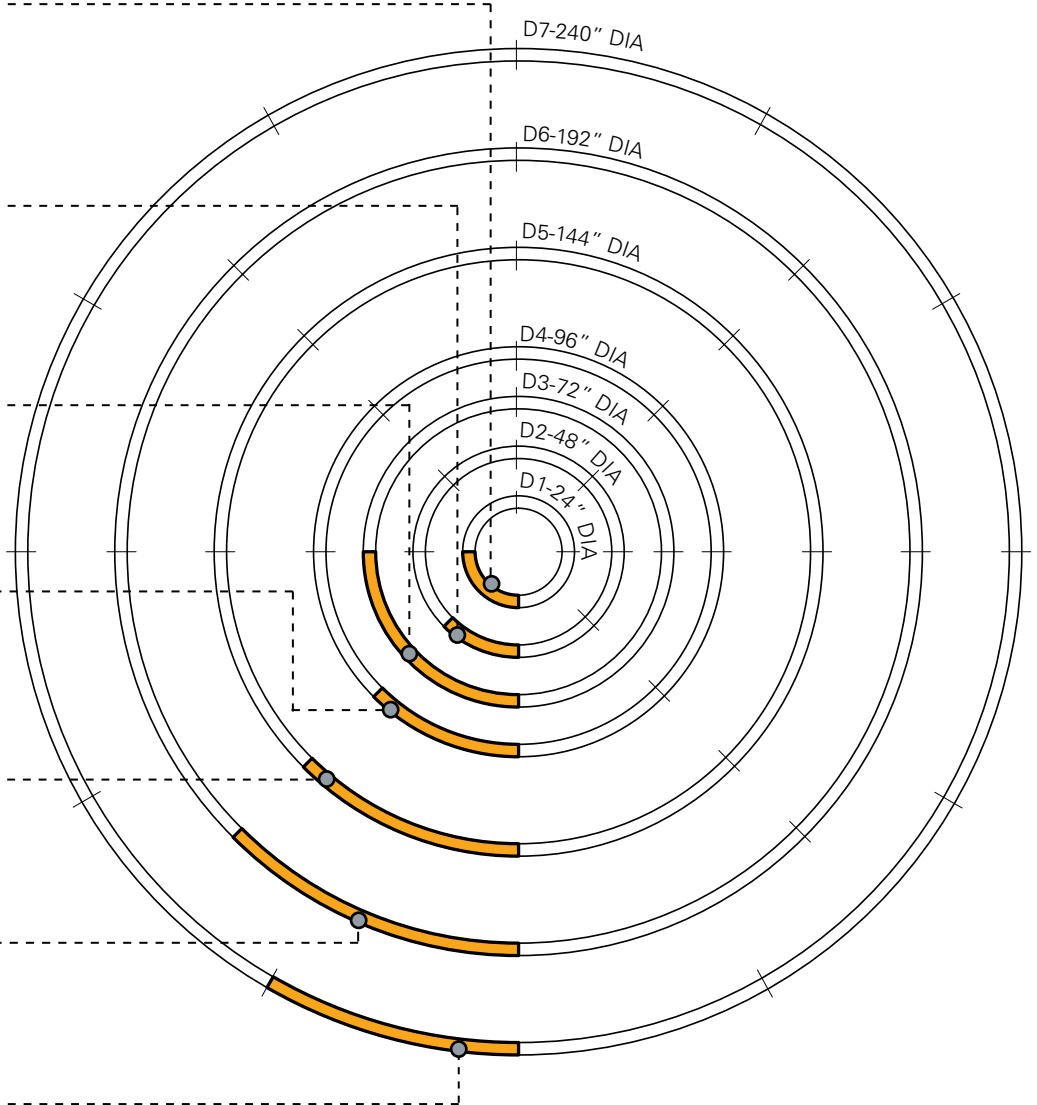
† Dimensions provided as general information. Please see shop drawings for specific rough-in dimensions.

## PATTERN RADIUS OFFERINGS

Rectangle	Circle	Square	Misc. Shape

<p>D1A / D1B 24" DIA</p> <p>D1A-90° arc length 18.85" D1A-180° arc length 37.7"</p>
<p>D2A / D2B / D2C 48" DIA</p> <p>D2A-45° arc length 18.85" D2B-90° arc length 37.7" D2C-180° arc length 75.4"</p>
<p>D3 72" DIA</p> <p>D3-90° arc length 56.55"</p>
<p>D4A / D4B 96" DIA</p> <p>D4A-45° arc length 37.7" D4B-90° arc length 75.4"</p>
<p>D5 144" DIA</p> <p>D5-45° arc length 56.55"</p>
<p>D6 192" DIA</p> <p>D6-45° arc length 75.4"</p>
<p>D7 240" DIA</p> <p>D7-30° arc length 62.83"</p>

\*All arc lengths and diameters measure along the centerline of the fixture



\* Forum reserves the right to change this information at any time. UPDATED 12/18/2018  
† Dimensions provided as general information. Please see shop drawings for specific rough-in dimensions.

