

LED

AQUAS 22

BY FORUM
LIGHTING

The **AQUAS 22** series by FORUM is a line of extruded aluminum rectilinear LED luminaires approved for wet location, allowing for design consistency throughout wet and dry locations. The 22 is a 2" wide housing with a 2" aperture. Multiple mounting configurations are available including rigid stem, surface, and wall wall mounted.

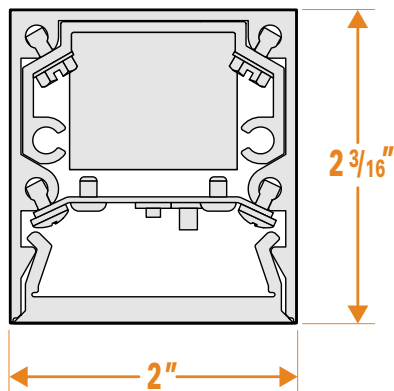
JOB: _____ TYPE: _____

LAMPING OPTIONS
AT A GLANCE:

ORDERING CODE

AQD	22	lm/ft	LED	temp	SHIELDING	MOUNTING	LENGTH	VOLTAGE	FINISH	OPTION 1	OPTION 2	OPTION 3
DISTRIBUTION	PROFILE	LAMPING										
AQD Direct	22 2" square	65 650 lm/ft 6.5 input watts/ft*	27 2700k temp 93.5% special order option	WOL White Opal Lens	H Stem Mount *	2 3 2' 3'	120V	WH White	EMLED LED battery pk	SW Separate Switch		
		95 950 lm/ft 9.5 input watts/ft*	30 3000k temp 95.2%		S Surface Mount	4 5 4' 5'	277V	SV Silver	EC Emergency Circuit	90 CRI 90 CRI		
		35 3500k temp 96.8%	40 4000k temp 100%		W Wall Mount	6 7 6' 7'	UNV Universal	BK Black	DIMMING OPTIONS			
		50 5000k temp 103%			*Spec. stem length:	8 8'		CC Custom Color				
		*assumes 4000k w/ satin lens				Spec. run length:		Provide custom color RAL#:	D10V 0-10V dimming 1% power class	DLA2 Lutron Hi-lume 1% 2-wire LED driver (120V forward phase only)		
		Lumen Multiplier = % of 4000K				Standard run length in even foot increments.			DLEH5 Lutron Hi-lume 1%-H EcoSystem LED driver with soft-On, Fade-to-Black	DLE55 Lutron 5-Series EcoSystem LED driver		
		Consult factory for limitations				Individual units cannot be joined in field to create runs.			DALI Digitally Addressable Lighting Interface	DIM Dimming		
		Custom Output (consult factory for min/max)								Please specify dimming manufacturer/model (if required)		
		lm/ft	LED	temp								

PROFILE DRAWING



SPECIFICATIONS

LISTING All fixtures bare an AFL-CIO/IBEW union label and are UL listed for surface mounting and damp location rated. For alternative environmental certifications, please consult factory.

DRIVER 120V, 277V, and Universal Voltage available standard. Five year warranty. Please consult factory for special driver requirements.

SHIELDING White opal lenses are snap in.

MOUNTING The Aquas 22 fixture can be mounted in various orientations including wall mount, stem mount, and surface mount. Please see supplemental documentation for mounting details.

HOUSING Consists of a single solid 6063-T5 extruded alloy profile built in sections up to 8 ft in length. Individual fixtures cannot be joined in field to form continuous runs. Fixtures longer than 8 ft must be ordered as continuous runs.

GEARTRAY / REFLECTOR Integrated geartray and reflector made from 18 GA cold rolled steel in a pre-paint white finish. Fully wired unit remains completely accessible from below via ballast panel.

END FITTING Applied end fitting is a standard .375" machined aluminum piece with concealed fasteners.

LED SYSTEM Forum utilizes a tunable LED system capable of supplying between 350-950 lumens per foot. To specify specific lumen output other than standard 950 or 650, drop the last digit of the per foot lumen output desired, i.e. 400lm/ft.= 40LED35

* Forum reserves the right to change this information at any time. UPDATED 03/18/20

† Dimensions provided as general information. Please see shop drawings for specific rough-in dimensions.