

LED

AQUAS 22

BY  FORUM
LIGHTINGLAMPING OPTIONS
AT A GLANCE:

The **AQUAS 22** RGBW series by FORUM is a line of extruded aluminum rectilinear LED luminaires approved for wet location, allowing for design consistency throughout wet and dry locations. The 22 is a 2" wide housing with a 2" aperture. Multiple mounting configurations are available including rigid stem, surface, and wall wall mounted.

JOB: _____ TYPE: _____

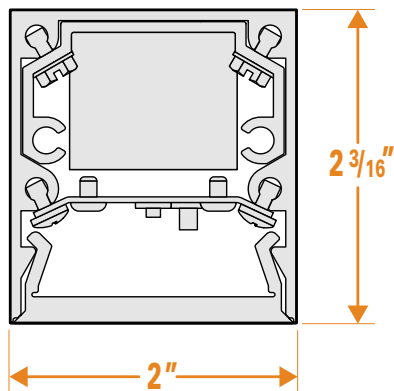
ORDERING CODE

AQD - 22 - RGBW -

temp

DISTRIBUTION	PROFILE	SHIELDING	MOUNTING	LENGTH	VOLTAGE	FINISH	OPTION 1	OPTION 2	OPTION 3
AQD - RGBW Direct	22 2" square	WOL White Opal Lens	H Stem Mount *	2 3 2' 3'	120V	WH White	F Fusing	SW Separate Switch	
			S Surface Mount	4 5 4' 5'	277V	SV Silver			
	W Wall Mount		6 7 6' 7'	UNV Universal	BK Black	EC Emergency Circuit			
	*Spec. stem length:		8 8'		CC Custom Color				
	DIMMING OPTIONS								

PROFILE DRAWING



SPECIFICATIONS

LISTING All fixtures bare an AFL-CIO/IBEW union label and are UL listed for wall mounting and wet location rated.

DRIVER Remote mounted 120V, 277V, and Universal Voltage available standard. Five year warranty. Please consult factory for special driver requirements.

SHIELDING White opal lenses are snap in.

MOUNTING The Aquas 22 fixture can be mounted in various orientations including wall mount, stem mount, and surface mount. Please see supplemental documentation for mounting details.

HOUSING Consists of a single solid 6063-T5 extruded alloy profile built in sections up to 8 ft in length. Individual fixtures cannot be joined in field to form continuous runs. Fixtures longer than 8 ft must be ordered as continuous runs.

GEARTRAY / REFLECTOR Integrated geartray and reflector made from 18 GA cold rolled steel in a pre-paint white finish. Fully wired unit remains completely accessible from below via ballast panel.

END FITTING Applied end fitting is a standard .375" machined aluminum piece with concealed fasteners.

LED SYSTEM Forum utilizes a tunable LED system capable of supplying between 350-950 lumens per foot. To specify specific lumen output other than standard 950 or 650, drop the last digit of the per foot lumen output desired, i.e. 400lm/ft. = 40LED35

* Forum reserves the right to change this information at any time. UPDATED 07/12/20

† Dimensions provided as general information. Please see shop drawings for specific rough-in dimensions.