

LED

ALUMINA22 BY FORUM LIGHTING

The **22** is a mere two inches square of aluminum extrusion which can be configured to outperform systems four times the size. The **22** is available in indirect or direct, as well as discreet bidirectional distribution. **22** can be suspended from ultra-thin aircraft cable or rigid stem, edge or bracket mounted to a vertical or horizontal surface. **22** can be configured in linear ribbons of illumination, or as varied and complex linear patterns traversing from the horizontal to vertical planes. Incorporates point source chip on board down light components, all integrated in selectable distribution performance envelopes.

LAMPING OPTIONS AT A GLANCE:

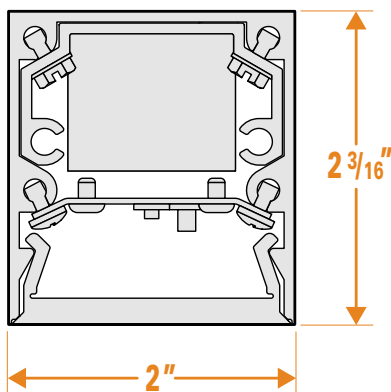


JOB: _____ TYPE: _____

ORDERING CODE

Indirect		Direct		Indirect		Direct									
- 22 -		LED		/		LED		-		X		-		-	
DISTRIBUTION	PROFILE	lm/ft	temp	lm/ft	temp	SHIELDING		MOUNTING	LENGTH	VOLTAGE	FINISH	OPTION 1	OPTION 2	OPTION 3	
SAD Direct	2 1/8" square	65 650 lm/ft 6.5 input watts/ft*	2700K temp 93.5% special order option	WOL White Opal Lens		H Stem Mount *	2 3 2' 3'	120V	WH White	EMLED LED battery pk					
				C Cable Mount *	4 5 4' 5'	277V	SV Silver	MR 37W MAX MR Module (see addendum for calculation specs)	SW Separate Switch						
SAU Indirect		95 950 lm/ft 9.5 input watts/ft*	30 3000K temp 95.2%			S Surface Mount†	6 7 6' 7'	UNV Universal	BK Black	EC Emergency Circuit					
						W Wall Mount	8 9 8' 9'	CC Custom Color	90 CRI 90 CRI	F Fusing					
		*assumes 4000k w/ satin lens		35 3500k temp 96.8%						DIMMING OPTIONS					
		Lumen Multiplier = % of 4000K		40 4000k temp 100%		*Spec. cable / stem length:		10 11 10' 11'		D10V 0-10V dimming 1% power class		DLA2 Lutron Hi-lume 1% 2-wire LED driver (120V forward phase only)			
		Consult factory for limitations		50 5000k temp 103%				12 12'		DLEH5 Lutron Hi-lume 1%-H EcoSystem LED driver with soft-On, Fade-to-Black		DLE55 Lutron 5-Series EcoSystem LED driver			
		Custom Output (consult factory for min/max)				†Available in SAD (Direct) ONLY.		Spec. run length:		DALI Digitally Addressable Lighting Interface		DIM Dimming		Please specify dimming manufacturer/model (if required)	
		lm/ft		LED temp		Standard run length in even foot increments.									
						Individual units cannot be joined in field to create runs.									

PROFILE DRAWING



SPECIFICATIONS

LISTING All fixtures bare an AFL-CIO/IBEW union label and are UL listed for surface mounting and damp location rated. For alternative environmental certifications, please consult factory.

DRIVER 120V, 277V, and Universal Voltage available standard. Five year warranty. Please consult factory for special driver requirements.

SHIELDING Satin frosted and white opal lenses are snap in. Parabolic baffles are made from high quality aluminum and come in a variety of finishes.

MOUNTING The Alumina22 fixture can be mounted in various orientations including wall mount, cable mount, stem mount, and surface mount. Please see supplemental documentation for mounting details.

HOUSING Consists of a single solid 6063-T5 extruded alloy profile. Built in individual pieces up to 12 ft in length. Individual fixtures cannot be joined in field to form continuous runs. Fixtures longer than 12 ft must be ordered as continuous runs.

GEARTRAY / REFLECTOR Integrated geartray and reflector made from 18 GA cold rolled steel in a pre-paint white finish. Fully wired unit remains completely accessible from below via ballast panel.

END FITTING Applied end fitting is a standard .375" machined aluminum piece with concealed fasteners.

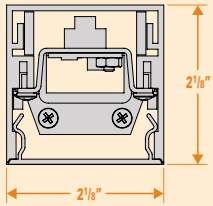
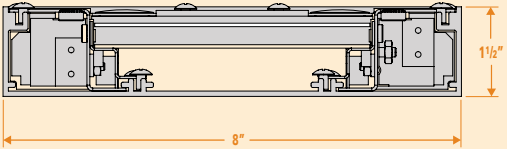
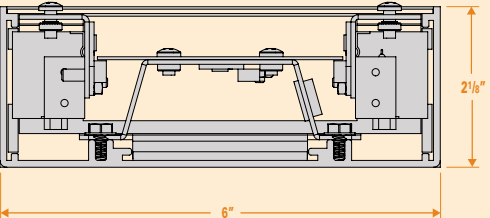
LED SYSTEM Forum utilizes a tunable LED system capable of supplying between 350-950 lumens per foot. To specify specific lumen output other than standard 950 or 650, drop the last digit of the per foot lumen output desired, i.e. 400lm/ft. = 40LED35

* Forum reserves the right to change this information at any time. UPDATED 07/28/21

† Dimensions provided as general information. Please see shop drawings for specific rough-in dimensions.

LAMPING AND DISTRIBUTION OPTIONS

SINGLE PIECE EXTRUSION

Alumina 22	Alumina158	Alumina 26
Profile Dimensions: 2w" x 2"h Options: SAD, SAU, SAUD	Profile Dimensions: 8" w x 1.5" h Options: SAD, SAU, SAUD	Profile Dimensions: 6" w x 2" h Options: SAD, SAU, SAUD
		

KEY

SAD- DIRECT

SAUD- DIRECT/INDIRECT

SAU- INDIRECT

ASY- ASYMMETRIC*

DISTRIBUTION

