



Customer Name	Date
Project Name	
Catalog Number	

CONTROLS & SENSORS

Ordering Code	Description
LLXL	Luton-Limelight wireless, external. 8-15ft AFF
LLXM	Luton-Limelight wireless, external. >15-30ft AFF
LLXH	Luton-Limelight wireless, external. >30-40ft AFF

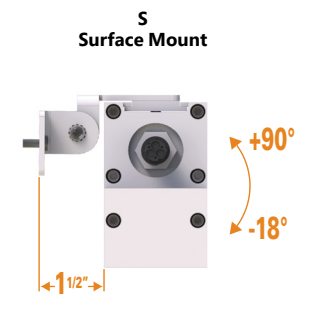
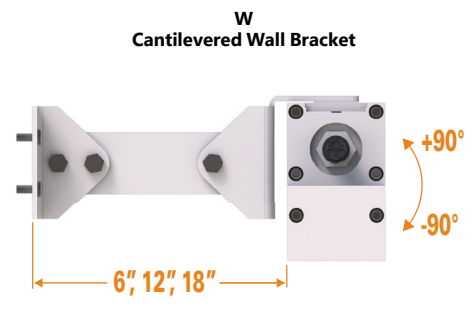
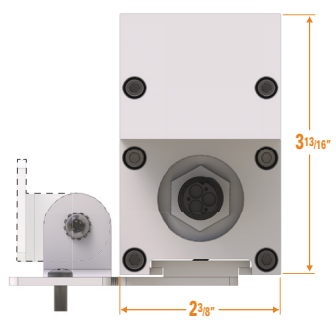
LUMEN MULTIPLICATION TABLE

Ordering Code	Description

DIMMING OPTIONS

Ordering Code	Description
D10V	0-10V Dimming, 1% power class
DLA2	Lutron Hi-lume 1% 2-1ire LED driver (120V forward phase only)
DLEH5	Lutron Hi-lume 1% H EcoSystem LED driver with soft-On, Fade-to-Black
DLE55	Lutron 5-Series EcoSystem LED driver
DALI	Digitally Addressable Lighting Interface
DIM	Custom Dimming. Please specify dimming manufacturer/model

DRAWINGS





Customer Name	Date
Project Name	
Catalog Number	

CONSTRUCTION

Housing:	Extruded aluminum, machined endcaps
Lens:	Tempered glass with optional satin frosted and Asymmetric lenses
Optical Assembly:	.040" aluminum in a pre-paint white finish
Paint:	Black, White, Silver, Custom Color
Weight:	

OPTICAL SYSTEM

Lumens:	650-1100 lm/ft
Distribution:	10, 30, 60, 90, Asymmetric, Lambertian
Efficacy:	
Wattage:	6.8 - 11.6 watts/ft
CCT:	2700k, 3000K, 3500K, 4000K, 5000K
CRI (Min):	90CRI
R9 (Min):	
Color Consistency:	
Luminance Uniformity:	

ELECTRICAL

Input Voltage:	120V, 277V, Universal Voltage
Input Frequency:	50/60Hz
Power Factor (PF):	
Total Harmonic Distortion (THD):	
Thermal Protection:	
Temperature / Humidity:	
Transient Protection:	
Electronic Vibration Testing:	

CONTROLS

Dimming:	0-10V 1% power class; Lutron Hi-lume 1% 2-wire LED driver; Lutron Hi-lume 1%-H EcoSystem LED driver with soft-On Fade-to-Black; Lutron 5-Series EcoSystem LED driver; Digitally Addressable Lighting Interface; Custom Dimming
-----------------	--

AMBIENT TEMPERATURE

Product ID	Operating Temperature
Hydro Series	

LUMEN MAINTENANCE

Projected L85 per IES TM-21 at max 35°C

50,000 HR

MOUNTING

- W - Cantilevered wall brackets
- S - Surface Mount wall brackets

RATINGS

- IP66 Wet Rated

For Product or Technical Questions:

E: INFO@FORUMLIGHTING.COM
T: +1 412 781 5970