

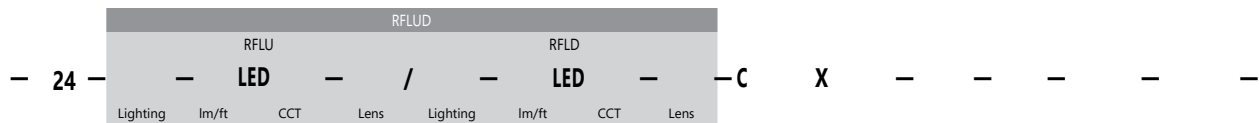


# Reflection Series

4

The Reflection series by Forum is a minimal suspended rectilinear suspended luminaire, available in pendant or continuous configurations. Reflection's adaptable design provides numerous distribution and output configurations and simplifies the specification and installation processes. Reflection is unrivaled in performance and design in its respective category.

## Ordering



DISTRIBUTION	PROFILE	LIGHTING	OUTPUT	SHIELDING	MOUNTING	LENGTH	VOLTAGE	FINISH	OPTION 1	OPTION 2	OPTION 3
<b>RFLD</b> Direct	<b>24</b> 2 1/8" height	<b>S</b> Single Row	<b>65</b> 650 lm/ft	<b>27</b> 2700k temp 93.5% Special order option	<b>SAT</b> Satin Lens	<b>C</b> Cable Mount	<b>3</b> 3'	<b>120V</b>	<b>WH</b> White	<b>EMLED</b> LED battery pk	<b>SW</b> Separate Switch
<b>RFLU</b> Indirect		<b>D</b> Dual Row*	<b>95</b> 950 lm/ft	<b>30</b> 3000k temp 95.2%	<b>WOL</b> White Opal Lens	<b>STANDARD LENGTHS</b>	<b>4</b> 4'	<b>277V</b>	<b>SV</b> Silver	<b>EC</b> Emergency Circuit	<b>F</b> Fusing
<b>RFLUD</b> Direct/Indirect		<b>A</b> Asymmetrical*			<b>18"</b> 6'	<b>UNV</b> Universal	<b>BK</b> Black		<b>DIMMING OPTIONS (CHOOSE 1)</b>		
		<b>NA</b> None	<b>110</b> 1100 lm/ft	<b>35</b> 3500k temp 96.8%	<b>CFA</b> Clear Frosted Acrylic*		<b>24"</b> 8'	<b>CC</b> Custom Color	<b>D10V</b> 0-10V dimming 1% power class	<b>DLA2</b> Lutron Hi-lume 1% 2-wire LED driver (120V forward phase only)	
		*Available in indirect ONLY	<b>170</b> 1700 lm/ft	<b>40</b> 4000k temp 100%	* Available in indirect only	<b>48"</b> 8'	<b>XX</b> Spec. run length in multiples of 3' and/or 4'		<b>DLA3</b> Lutron Hi-lume 1% 3-wire LED driver	<b>DLA5</b> Lutron Hi-lume 1% EcoSystem LED driver	
				<b>50</b> 5000k temp 103%				<b>72"</b>	<b>DLEH5</b> Lutron Hi-lume 1%-H EcoSystem LED driver with soft-On, Fade-to-Black	<b>DLE55</b> Lutron 5-Series EcoSystem LED driver	
			Custom Output (consult factory for min/max)			<b>96"</b>	* Spec. cable / stem length:	Individual units cannot be joined in field to create runs.	<b>DALI</b> Digitally Addressable Lighting Interface	<b>DIM</b> Dimming	Please specify dimming manufacturer/model (if required)
		<b>LED</b> lm/ft CCT *Special order only			<b>120"</b>	<b>CONTROLS OPTIONS (CHOOSE 1)</b>					
								<b>LVP</b> Lutron - Vive power pak	<b>C110</b> Casambi (1x 010v)r		
								<b>C210</b> Casambi (2x 010v)	<b>CRGBW</b> Casambi (RGBW)		

- 1 60 option available with 40 Fixture Length only
- 2 90 option available with 60 Fixture Length only
- 3 A2 option available with 80 Fixture Length only

- 4 10ft aircraft cables with gripples and hourglass sleeves pre-installed. Canopy kits ordered separately
- 5 G2 option available with 60 Fixture Length and 90 Lumen Output options only

- 6 10ft Power Cord included. 300V 18AWG, 5-Conductor wire
- 7 Powercord not required for G2 mounting option



Customer Name	Date
Project Name	
Catalog Number	

## CONTROLS & SENSORS

Ordering Code	Description
LVP	Lutron - Vive power pak
C110	Casambi (1x 010v)
C210	Casambi (2x 010v)
CRGBW	Casambi (RGBW)

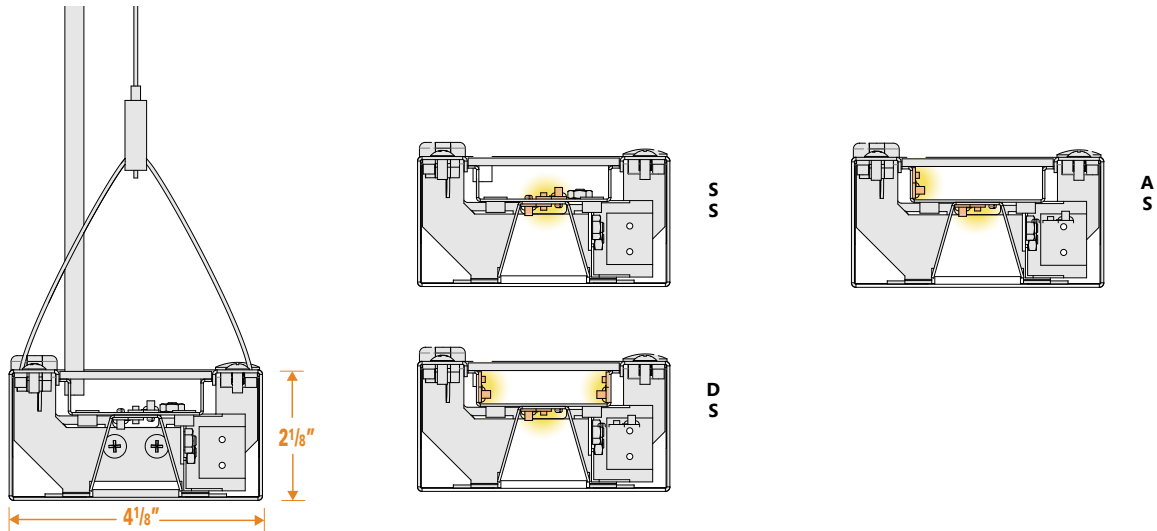
## LUMEN MULTIPLICATION TABLE

Ordering Code	Description

## DIMMING OPTIONS

Ordering Code	Description
D10V	0-10V Dimming, 1% power class
DLA2	Lutron Hi-lume 1% 2-lire LED driver (120V forward phase only)
DLA3	Lutron Hi-lume 1% H EcoSystem LED driver with soft-On, Fade-to-Black
DLA5	Lutron Hi-lume 1% EcoSystem LED driver
DLEH5	Lutron Hi-lume 1% H EcoSystem LED driver with soft-On, Fade-to-Black
DLE55	Lutron 5-Series EcoSystem LED driver
DALI	Digitally Addressable Lighting Interface
DIM	Custom Dimming. Please specify dimming manufacturer/model

## DRAWINGS





Customer Name	Date
Project Name	
Catalog Number	

## CONSTRUCTION

<b>Housing:</b>	18 gauge stell housing, machined endcaps
<b>Lens:</b>	Satin frosted, white opal, and clear frosted acrylic lenses.
<b>Optical Assembly:</b>	.040" aluminum in a pre-paint white finish. Fully wired unit remains completely accessible from below via ballast panel.
<b>Paint:</b>	Black, White, Silver, Custom Color
<b>Weight:</b>	

## OPTICAL SYSTEM

<b>Lumens:</b>	650-1700 lm/ft
<b>Distribution:</b>	Direct (RFLD), Indirect (RFLU), and Direct/Indirect (RFLUD)
<b>Efficacy:</b>	
<b>Wattage:</b>	6.5 - 9.5 watts/ft
<b>CCT:</b>	2700k, 3000K, 3500K, 4000K, 5000K
<b>CRI (Min):</b>	90CRI
<b>R9 (Min):</b>	
<b>Color Consistency:</b>	
<b>Luminance Uniformity:</b>	

## ELECTRICAL

<b>Input Voltage:</b>	120V, 277V, Universal Voltage
<b>Input Frequency:</b>	50/60Hz
<b>Power Factor (PF):</b>	
<b>Total Harmonic Distortion (THD):</b>	
<b>Thermal Protection:</b>	
<b>Temperature / Humidity:</b>	
<b>Transient Protection:</b>	
<b>Electronic Vibration Testing:</b>	

## CONTROLS

<b>Dimming:</b>	0-10V 1% power class; Lutron Hi-lume 1% 2-wire LED driver; Lutron Hi-lume 1% 3-wire LED driver; Lutron Hi-lume 1% EcoSystem LED driver; Lutron Hi-lume 1%-H EcoSystem LED driver with soft-On Fade-to-Black; Lutron 5-Series EcoSystem LED driver; Digitally Addressable Lighting Interface; Custom Dimming
-----------------	---

## AMBIENT TEMPERATURE

Product ID	Operating Temperature
LEL:	

## LUMEN MAINTENANCE

Projected L85 per IES TM-21 at max 35°C

<b>50,000 HR</b>
------------------

## MOUNTING

- C - Cable Mount
- H - Stem Mount
- W - Wall Bracket Mount
- S - Surface Mount (available in SAD only)

For Product or Technical Questions:

E: INFO@FORUMLIGHTING.COM  
T: +1 412 781 5970