

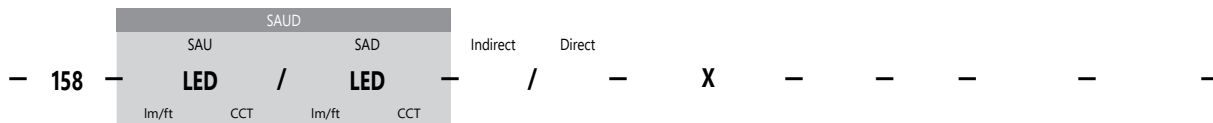


Alumina Series

158

The Alumina series by Forum is a line of extruded aluminum rectilinear luminaires. ALUMINA 158 is a 1- 1/2" x 8" housing with 2 1/8" direct & 5" indirect apertures. Multiple mounting configurations are available including various suspension types as well as wall and edge mounting.

Ordering



DISTRIBUTION	PROFILE	OUTPUT		SHIELDING	MOUNTING	LENGTH	VOLTAGE	FINISH	OPTION 1	OPTION 2	OPTION 3	
SAD Direct	158 1 1/2" width 8" height	65 650 lm/ft 6.5 input watts/ft*	27 2700k temp 93.5% Special order option	SAT Satin Lens	H Stem Mount *	2 2'	120V	WH White	F Fusing	EMLED LED battery pk	EC Emergency Circuit	
SAU Indirect		95 950 lm/ft 9.5 input watts/ft*	30 3000k temp 95.2%	WOL White Opal Lens	C Cable Mount *	3 3'		277V	SV Silver	90 CRI 90 CRI	MR 37W MAX MR Module	DL Damp Location
SAUD* Direct/Indirect		* Assumes 4000k w/ satin lens Lumen Multiplier = % of 4000K Consult factory for limitations	35 3500k temp 96.8%	CFA Clear Frosted Acrylic*	W Wall Bracket Mount	4 4'	UNV Universal		BK Black	SW Separate Switch*		
			40 4000k temp 100%	WOP White Opal over Parabolic Baffle	* Spec. cable / stem length:	5 5'		CC Custom Color Custom Color Available. Provide RAL# (required).	DIMMING OPTIONS (CHOOSE 1)			
			50 5000k temp 103%	SAP Satin Lens over Parabolic Baffle	* Available in SAU only	6 6'	Setup fees apply.		D10V 0-10V dimming 1% power class	DLA2 Lutron Hi-lume 1% 2-wire LED driver (120V forward phase only)	DLA3 Lutron Hi-lume 1% 3-wire LED driver	* individual up or downlight
			Custom Output LED			7 7'		Standard run length in even foot increments. Individual units cannot be joined in field to create runs.	DIM Dimming Please specify dimming manufacturer/model (if required)			
					8 8'	† Available in SAD (Direct) ONLY.	CONTROLS OPTIONS (CHOOSE 1)					
					9 9'			OCC Wattstopper occupancy sensor	DPS Wattstopper daylight photo sensor	LVS Lutron Vive integrated fixture sensor (occ+daylight)		
					10 10'			LVR Lutron Vive integrated fixture sensor (radio only)	ELM Enlighted micro sensor	OES Osram SensiLUM		
					11 11'			OEC Osram Encellium CLM	OED Osram CLM DEXAL	C110 Casambi (1x 010v)		
					12 12'			C210 Casambi (2x 010v)	CRGBW Casambi (RGBW)			

- 1 60 option available with 40 Fixture Length only
- 2 90 option available with 60 Fixture Length only
- 3 A2 option available with 80 Fixture Length only

- 4 10ft aircraft cables with gripples and hourglass sleeves pre-installed. Canopy kits ordered separately
- 5 G2 option available with 60 Fixture Length and 90 Lumen Output options only

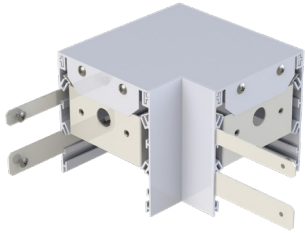
- 6 10ft Power Cord included. 300V 18AWG, 5-Conductor wire
- 7 Powercord not required for G2 mounting option



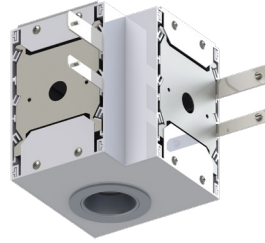
Customer Name	Date
Project Name	
Catalog Number	

Components and Assembly

CORNER OPTIONS



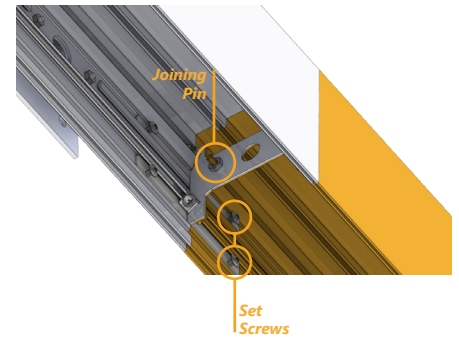
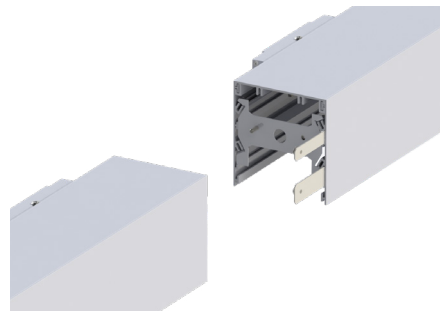
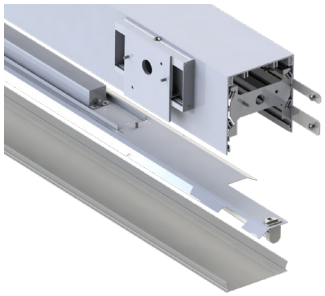
90°* CORNER



MR CORNER

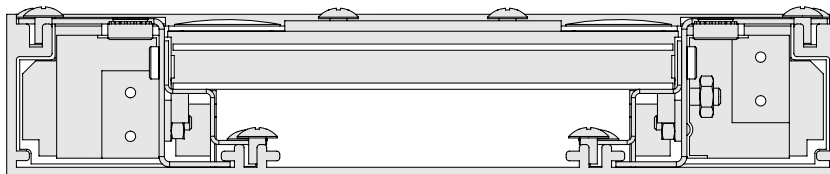
Standard illuminated corners
Custom angles available, up to 90°. Greater than 90°, consult factory.

JOINING HARDWARE



Shielding Options

LENS DETAIL



Satin frosted, white opal, and clear acrylic lenses are snap in. An open configuration without shielding is the default.

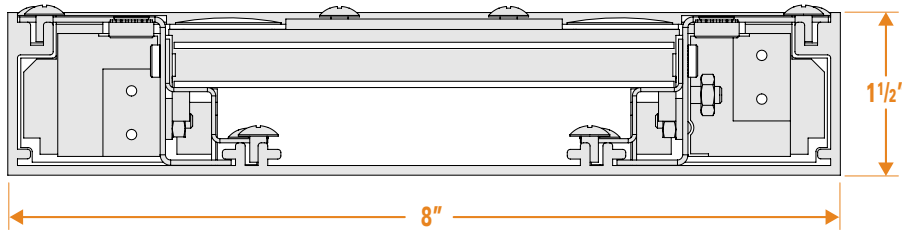


Customer Name	Date
Project Name	
Catalog Number	

Drawings

SINGLE PIECE EXTRUSION

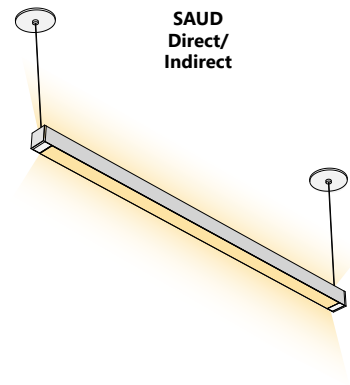
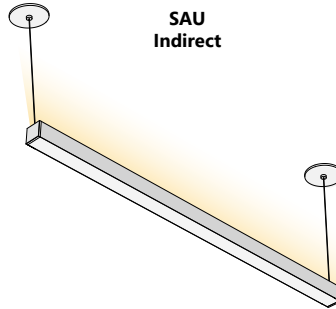
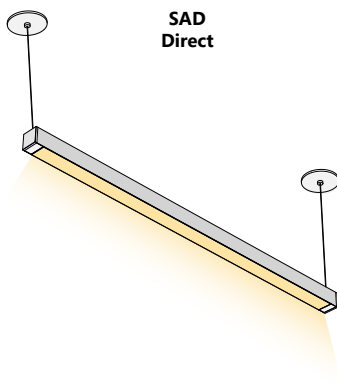
ALUMINA158
Options: SAD, SAU, SAUD



KEY	
SAD - DIRECT LIGHT	SAUD - DIRECT/INDIRECT LIGHT
SAU - INDIRECT LIGHT	

Distribution Options

DISTRIBUTION DETAIL





Customer Name	Date
Project Name	
Catalog Number	

CONSTRUCTION

Housing:	Extruded aluminum, machined endcaps
Lens:	Satin frosted, white opal, and clear acrylic lenses. Aluminum parabolic baffles in a variety of finishes.
Optical Assembly:	18 GA cold rolled steel in a pre-paint white finish. Fully wired unit remains completely accessible from below via ballast panel.
Paint:	Black, White, Silver, Custom Color
Weight:	

OPTICAL SYSTEM

Lumens:	650 - 950 lm/ft
Distribution:	Direct (SAD), Indirect (SAU), and Direct/Indirect (SAUD)
Efficacy:	
Wattage:	6.5 - 9.5 watts/ft
CCT:	2700k, 3000K, 3500K, 4000K, 5000K
CRI (Min):	90CRI
R9 (Min):	
Color Consistency:	
Luminance Uniformity:	

ELECTRICAL

Input Voltage:	120V, 277V, Universal Voltage
Input Frequency:	50/60Hz
Power Factor (PF):	
Total Harmonic Distortion (THD):	
Thermal Protection:	
Temperature / Humidity:	
Transient Protection:	
Electronic Vibration Testing:	

CONTROLS

Dimming:	0-10V 1% power class; Lutron Hi-lume 1% 2-wire LED driver; Lutron Hi-lume 1% EcoSystem LED driver with soft-On Fade-to-Black; Lutron 5-Series EcoSystem LED driver; Digitally Addressable Lighting Interface; Custom Dimming
-----------------	--

AMBIENT TEMPERATURE

Product ID	Operating Temperature
LEL:	

LUMEN MAINTENANCE

Projected L85 per IES TM-21 at max 35°C

50,000 HR

MOUNTING

- C - Cable Mount
- H - Stem Mount
- W - Wall Bracket Mount

For Product or Technical Questions:

E: INFO@FORUMLIGHTING.COM
T: +1 412 781 5970