



Customer Name	Date
Project Name	
Catalog Number	



# Aquas Series

## 22

The **Aquas 22 series by Forum** is a line of extruded aluminum rectilinear luminaires approved for wet location, allowing for design consistency throughout wet and dry locations. Aquas features standard aperture sizes of 2, 3, 4, and 6". Multiple mounting configurations are available including rigid stem, surface as well as wall mounted. Aquas is available in Black, White, Silver, and custom colors and features a premium design, fit and finish.

### Ordering

AQD — 22 — LED		Im/ft		CCT													
DISTRIBUTION	PROFILE	OUTPUT		SHIELDING	MOUNTING	LENGTH	VOLTAGE	FINISH	OPTION 1	OPTION 2	OPTION 3						
AQD Direct	22 2" square	65 650 lm/ft 6.5 input watts/ft*	27 2700k temp 93.5% Special order option	WOL White Opal Lens	H Stem Mount *	2 2'	120V	WH White	EMLED LED battery pk	SW Separate Switch							
					S Surface Mount	3 3'	277V	SV Silver	EC Emergency Circuit		90 CRI 90 CRI						
		95 950 lm/ft 9.5 input watts/ft*	30 3000k temp 95.2%		W Wall Bracket Mount	4 4'	UNV Universal	BK Black	DIMMING OPTIONS (CHOOSE 1)								
		* Assumes 4000k w/ satin lens  Lumen Multiplier = % of 4000K  Consult factory for limitations	35 3500k temp 96.8%		* Spec. stem length:	5 5'		CC Custom Color  Provide custom color RAL#:	D10V 0-10V dimming 1% power class	DLA2 Lutron Hi-lume 1% 2-wire LED driver (120V forward phase only)	DLEH5 Lutron Hi-lume 1%-H EcoSystem LED driver with soft-On, Fade-to-Black						
						6 6'			DLE55 Lutron 5-Series EcoSystem LED driver	DALI Digitally Addressable Lighting Interface	DIM Dimming  Please specify dimming manufacturer/model (if required)						
						7 7'			CONTROLS OPTIONS (CHOOSE 1)								
						8 8'			LLXL Luton-Limelight wireless, external. 8-15ft AFF	LLXM Luton-Limelight wireless, external. >15-30ft AFF	LVS Lutron Vive integrated fixture sensor (occ+daylight)						
		Custom Output			LED Im/ft CCT		Standard run length in even foot increments.  Individual units cannot be joined in field to create runs.										

- 1 60 option available with 40 Fixture Length only
- 2 90 option available with 60 Fixture Length only
- 3 A2 option available with 80 Fixture Length only
- 4 10ft aircraft cables with gripples and hourglass sleeves pre-installed. Canopy kits ordered separately
- 5 G2 option available with 60 Fixture Length and 90 Lumen Output options only
- 6 10ft Power Cord included. 300V 18AWG, 5-Conductor wire
- 7 Powercord not required for G2 mounting option



Customer Name	Date
Project Name	
Catalog Number	

## CONTROLS & SENSORS

Ordering Code	Description
LLXL	Luton-Limelight wireless, external. 8-15ft AFF
LLXM	Luton-Limelight wireless, external. >15-30ft AFF
LLXH	Luton-Limelight wireless, external. >30-40ft AFF

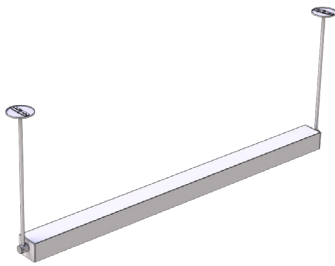
## LUMEN MULTIPLICATION TABLE

Ordering Code	Description

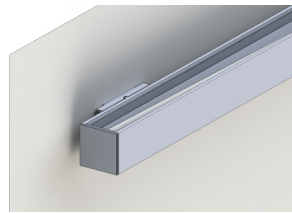
## DIMMING OPTIONS

Ordering Code	Description
D10V	0-10V Dimming, 1% power class
DLA2	Lutron Hi-lume 1% 2-lire LED driver (120V forward phase only)
DLEH5	Lutron Hi-lume 1% H EcoSystem LED driver with soft-On, Fade-to-Black
DLE55	Lutron 5-Series EcoSystem LED driver
DALI	Digitally Addressable Lighting Interface
DIM	Custom Dimming. Please specify dimming manufacturer/model

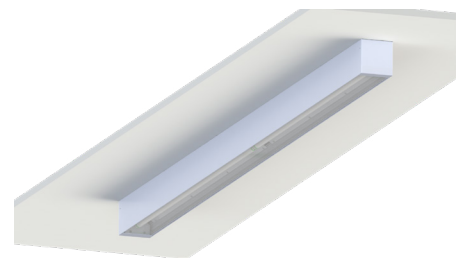
## MOUNTING



**H**  
Stem Mount



**W**  
Wall Bracket Mount



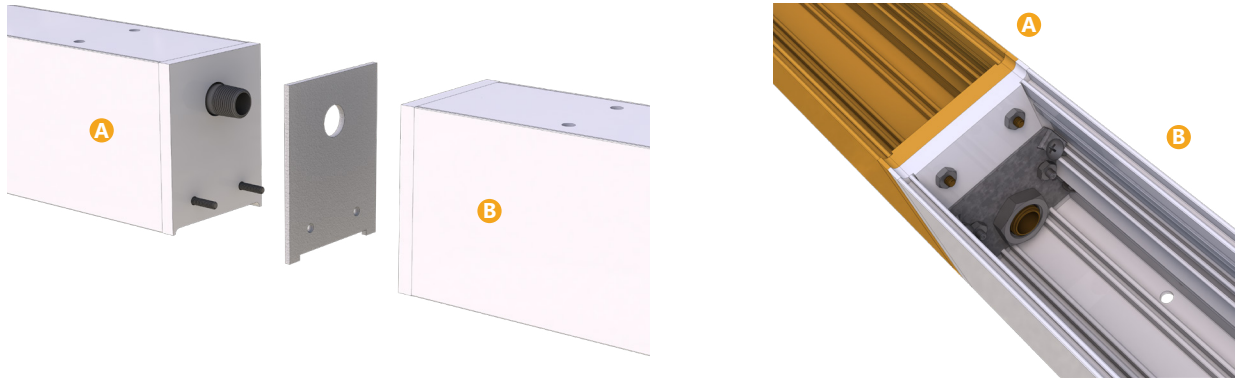
**S**  
Surface Mount  
(available in AQD only)



Customer Name	Date
Project Name	
Catalog Number	

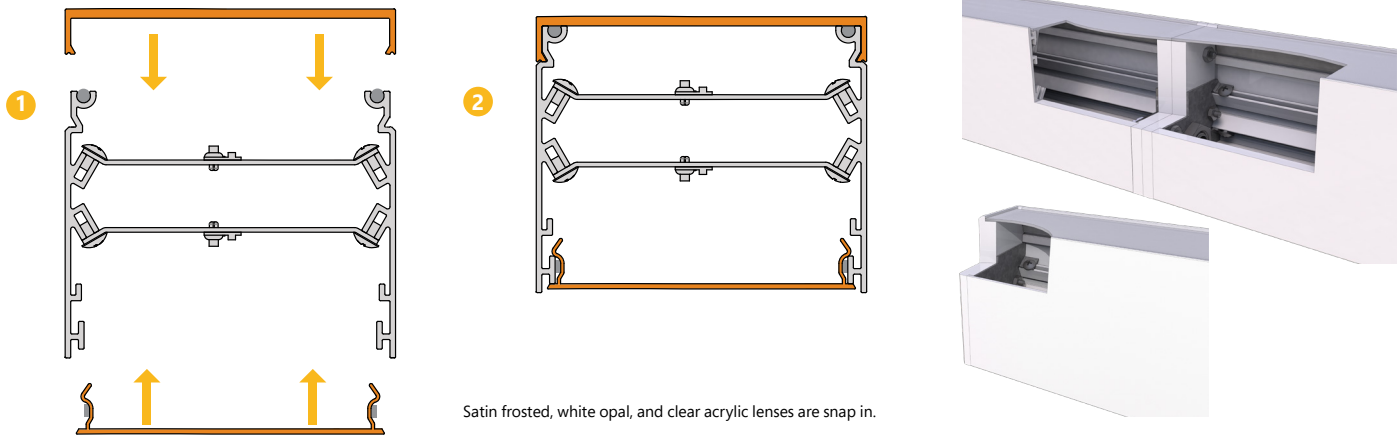
## Components and Assembly

### JOINING HARDWARE



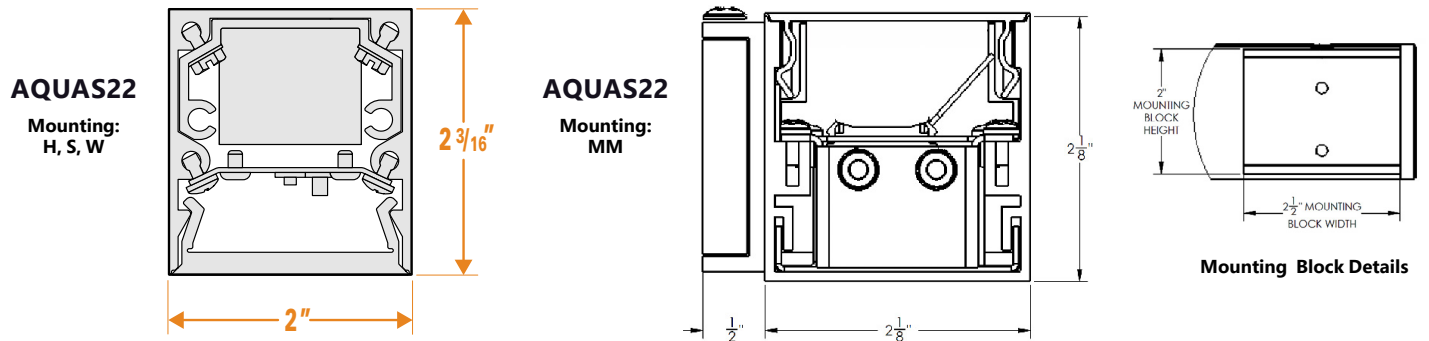
## Shielding Options

### LENS DETAIL



## Drawings

### PROFILE DRAWINGS





Customer Name	Date
Project Name	
Catalog Number	

## CONSTRUCTION

<b>Housing:</b>	Extruded aluminum, machined endcaps
<b>Lens:</b>	White opal lenses
<b>Optical Assembly:</b>	18 GA cold rolled steel in a pre-paint white finish. Fully wired unit remains completely accessible from below via ballast panel.
<b>Paint:</b>	Black, White, Silver, Custom Color
<b>Weight:</b>	

## OPTICAL SYSTEM

<b>Lumens:</b>	650-950 lm/ft
<b>Distribution:</b>	Direct (AQD)
<b>Efficacy:</b>	
<b>Wattage:</b>	6.5 - 9.5 watts/ft
<b>CCT:</b>	2700k, 3000K, 3500K, 4000K, 5000K
<b>CRI (Min):</b>	90CRI
<b>R9 (Min):</b>	
<b>Color Consistency:</b>	
<b>Luminance Uniformity:</b>	

## ELECTRICAL

<b>Input Voltage:</b>	120V, 277V, Universal Voltage
<b>Input Frequency:</b>	50/60Hz
<b>Power Factor (PF):</b>	
<b>Total Harmonic Distortion (THD):</b>	
<b>Thermal Protection:</b>	
<b>Temperature / Humidity:</b>	
<b>Transient Protection:</b>	
<b>Electronic Vibration Testing:</b>	

## CONTROLS

<b>Dimming:</b>	0-10V 1% power class; Lutron Hi-lume 1% 2-wire LED driver; Lutron Hi-lume 1%-H EcoSystem LED driver with soft-On Fade-to-Black; Lutron 5-Series EcoSystem LED driver; Digitally Addressable Lighting Interface; Custom Dimming
-----------------	--

## AMBIENT TEMPERATURE

Product ID	Operating Temperature
<b>LEL:</b>	

## LUMEN MAINTENANCE

Projected L85 per IES TM-21 at max 35°C

<b>50,000 HR</b>
------------------

## MOUNTING

- H - Stem Mount
- S - Surface Mount
- W - Wall Bracket Mount

## RATINGS

- Wet Rated

For Product or Technical Questions:

E: [INFO@FORUMLIGHTING.COM](mailto:INFO@FORUMLIGHTING.COM)  
T: +1 412 781 5970