

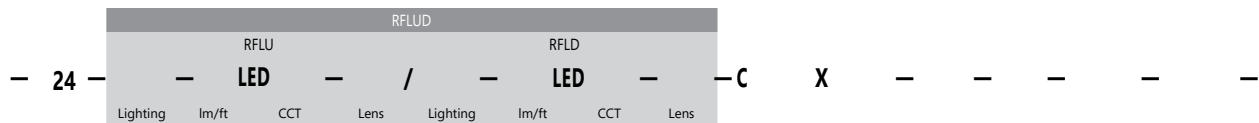


Reflection Series

4

The Reflection series by Forum is a minimal suspended rectilinear suspended luminaire, available in pendant or continuous configurations. Reflection's adaptable design provides numerous distribution and output configurations and simplifies the specification and installation processes. Reflection is unrivaled in performance and design in its respective category.

Ordering



DISTRIBUTION	PROFILE	LIGHTING	OUTPUT	SHIELDING	MOUNTING	LENGTH	VOLTAGE	FINISH	OPTION 1	OPTION 2	OPTION 3
RFLD Direct	24 2 1/8" height	S Single Row	65 650 lm/ft	27 2700k temp 93.5% Special order option	SAT Satin Lens	C Cable Mount	3 3'	120V	WH White	EMLED LED battery pk	SW Separate Switch
RFLU Indirect		D Dual Row*	95 950 lm/ft	30 3000k temp 95.2%	WOL White Opal Lens	18" 6'	6 6'	277V	SV Silver	EC Emergency Circuit	F Fusing
RFLUD Direct/Indirect		A Asymmetrical*			24" 8'	UNV Universal			BK Black	DIMMING OPTIONS (CHOOSE 1)	
		NA None	110 1100 lm/ft	35 3500k temp 96.8%	CFA Clear Frosted Acrylic*		48" XX Spec. run length in multiples of 3' and/or 4';	8 8'	CC Custom Color	D10V 0-10V dimming 1% power class	DLA2 Lutron Hi-Lume 1% 2-wire LED driver (120V forward phase only)
		*Available in indirect ONLY	170 1700 lm/ft	40 4000k temp 100%		72"	DLA3 Lutron Hi-Lume 1% 3-wire LED driver			DLA5 Lutron Hi-Lume 1% EcoSystem LED driver	
				50 5000k temp 103%		96"	DLEH5 Lutron Hi-Lume 1%-H EcoSystem LED driver with soft-On, Fade-to-Black			DLE55 Lutron 5-Series EcoSystem LED driver	
			Custom Output (consult factory for min/max)			120"	DALI Digitally Addressable Lighting Interface			DIM Dimming	
		LED Im/ft CCT *Special order only			* Spec. cable / stem length: Individual units cannot be joined in field to create runs.			CONTROLS OPTIONS (CHOOSE 1)			
							LVP Lutron - Vive power pak	C110 Casambi (1x 010v)r			
							C210 Casambi (2x 010v)	CRGBW Casambi (RGBW)			

- 1 60 option available with 40 Fixture Length only
- 2 90 option available with 60 Fixture Length only
- 3 A2 option available with 80 Fixture Length only

- 4 10ft aircraft cables with gripples and hourglass sleeves pre-installed. Canopy kits ordered separately
- 5 G2 option available with 60 Fixture Length and 90 Lumen Output options only

- 6 10ft Power Cord included. 300V 18AWG, 5-Conductor wire
- 7 Powercord not required for G2 mounting option



Customer Name	Date
Project Name	
Catalog Number	

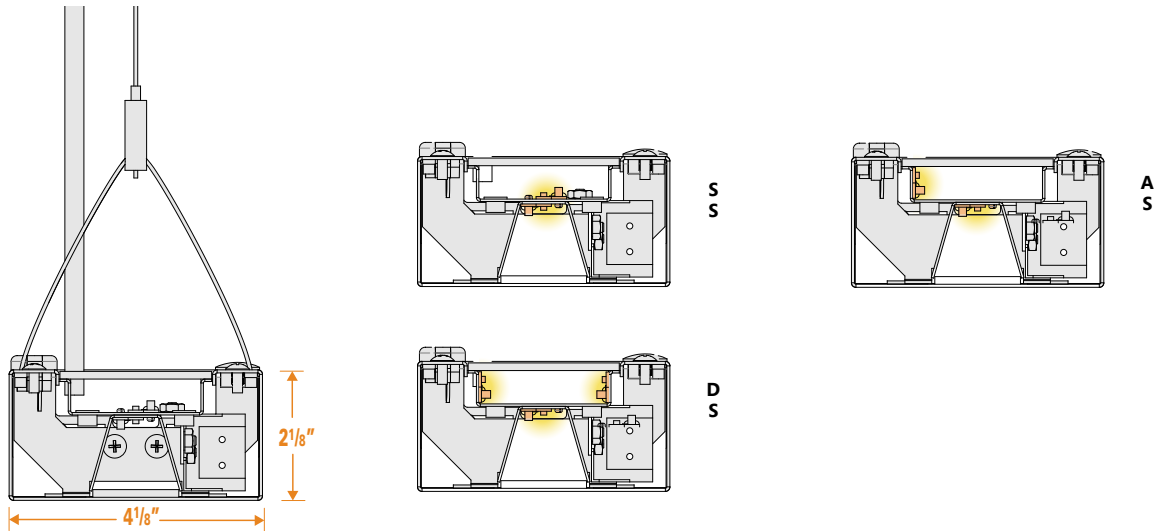
CONTROLS & SENSORS

Ordering Code	Description
LVP	Lutron - Vive power pak
C110	Casambi (1x 010v)
C210	Casambi (2x 010v)
CRGBW	Casambi (RGBW)

DIMMING OPTIONS

Ordering Code	Description
D10V	0-10V Dimming, 1% power class
DLA2	Lutron Hi-lume 1% 2-lire LED driver (120V forward phase only)
DLA3	Lutron Hi-lume 1% H EcoSystem LED driver with soft-On, Fade-to-Black
DLA5	Lutron Hi-lume 1% EcoSystem LED driver
DLEH5	Lutron Hi-lume 1% H EcoSystem LED driver with soft-On, Fade-to-Black
DLE55	Lutron 5-Series EcoSystem LED driver
DALI	Digitally Addressable Lighting Interface
DIM	Custom Dimming. Please specify dimming manufacturer/model

DRAWINGS



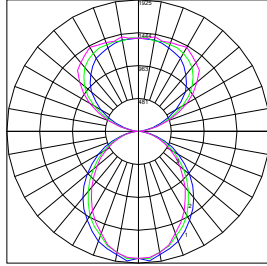


Customer Name	Date
Project Name	
Catalog Number	

Photometrics

Logic/Config 4' REFLECTION

8906 Lumens
RFLUD-24-D-110LED40-CFA+S-
110LED40-SAT-CXX X 4-UNV



Maximum Candela = 1925.4 Located At Horizontal Angle = 22.5, Vertical Angle = 5
 # 1 - Vertical Plane Through Horizontal Angles (0 - 180)
 # 2 - Vertical Plane Through Horizontal Angles (45 - 225)
 # 3 - Vertical Plane Through Horizontal Angles (90 - 270)

ZONE	LUMENS	% OF FIXTURE
0-20	665.16	7.50
0-30	1372.18	15.40
0-40	2175.57	24.40
0-60	3614.12	40.60
0-80	4352.22	48.90
0-90	4428.71	49.70

ZONE	LUMENS	% OF FIXTURE
10-90	4251.66	47.70
20-40	1510.42	17.00
20-50	2290.65	25.70
40-70	1914.74	21.50
60-80	738.10	8.30
70-80	261.91	2.90
80-90	76.49	0.90
90-110	330.98	3.70
90-120	897.51	10.10
90-130	1686.17	18.90
90-150	3346.64	37.60
90-180	4476.8	50.30
110-180	4145.82	46.60
0-180	8905.51	100.00



Customer Name	Date
Project Name	
Catalog Number	

CONSTRUCTION

Housing:	18 gauge stell housing, machined endcaps
Lens:	Satin frosted, white opal, and clear frosted acrylic lenses.
Optical Assembly:	.040" aluminum in a pre-paint white finish. Fully wired unit remains completely accessible from below via ballast panel.
Paint:	Black, White, Silver, Custom Color

OPTICAL SYSTEM

Lumens:	650-1700 lm/ft
Distribution:	Direct (RFLD), Indirect (RFLU), and Direct/Indirect (RFLUD)
Efficacy:	U-A: 114-118 LPW UD-D: 101-105 LPW UD-S: 100-110 LPW (80CRI/40K)
Wattage:	6.5 - 9.5 watts/ft
CCT:	2700k, 3000K, 3500K, 4000K, 5000K
CRI (Min):	90CRI
R9 (Min):	65
Color Consistency:	2SDCM

ELECTRICAL

Input Voltage:	120V, 277V, Universal Voltage
Input Frequency:	50/60Hz
Power Factor (PF):	>0.9
Total Harmonic Distortion (THD):	<16% - 120V <20% - 277V
Temperature / Humidity:	Suitable for Damp Locations
Transient Protection:	All Non-Lutron = 2.5KV Lutron = 4KV

CONTROLS

Dimming:	0-10V 1% power class; Lutron Hi-lume 1% 2-wire LED driver; Lutron Hi-lume 1% 3-wire LED driver; Lutron Hi-lume 1% EcoSystem LED driver; Lutron Hi-lume 1%-H EcoSystem LED driver with soft-On Fade-to-Black; Lutron 5-Series EcoSystem LED driver; Digitally Addressable Lighting Interface; Custom Dimming
-----------------	---

LUMEN MAINTENANCE

- L70>50K Hours

MOUNTING

- C - Cable Mount
- H - Stem Mount
- W - Wall Bracket Mount
- S - Surface Mount (available in SAD only)

DESIGN LIFE & WARRANTY

- Warranty:**
- LED boards - 5 years
 - LED drivers (standard) - 5 years
 - LED drivers (Lutron) - 3 years



For Product or Technical Questions:

E: INFO@FORUMLIGHTING.COM
T: +1 412 781 5970