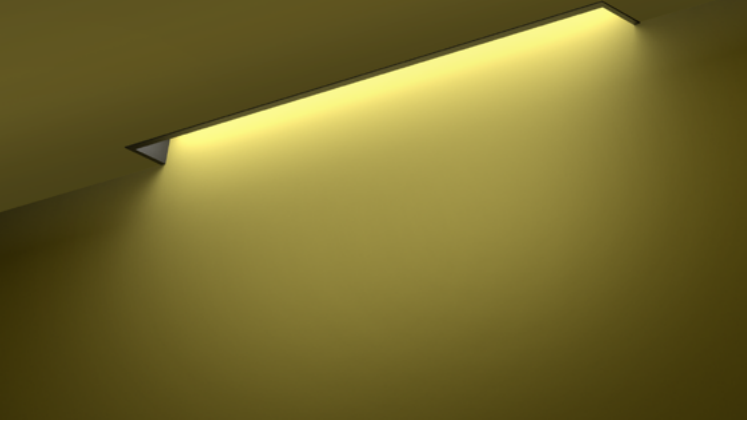


Customer Name	Date
Project Name	
Catalog Number	



# Forecast Series

## 3, 4, 6 Perimeter

The Forecast series by Forum is a line of recessed luminaires designed to accent perimeters and vertical surfaces. Forecast's unique hybrid construction features a sheet metal housing with aluminum trim, reducing fixture weight and cost without sacrificing premium fit and finish. Forecast Perimeter is available in 1 1/2", 4" and 6" apertures with a 3" regressed lens depth. Available in various grid and hard ceiling configurations. Current's patented TriGain® phosphor delivers 90 CRI color quality at 80 CRI efficacy.

### Ordering

		LED									
		lm/ft	CCT								
DISTRIBUTION	PROFILE	OUTPUT		SHIELDING	LENGTH	VOLTAGE	FINISH	OPTION 1	OPTION 2	OPTION 3	OPTION 4
<b>SRT-43PER</b> 2 1/2" width	<b>FG</b> 9/16" grid	<b>65</b> 650 lm/ft	<b>27</b> 2700k temp 93.5%	<b>SAT</b> Satin Lens	<b>2</b> 2'	<b>120V</b>	<b>WH</b> White	<b>MR</b> 37W MAX MR Module	<b>EMLED</b> LED battery pk	<b>EC</b> Emergency Circuit	
	<b>SRT-44PER</b> 4" width	<b>TG</b> 15/16" grid	6.5 input watts/ft*	<b>WOL</b> White Opal Lens	<b>3</b> 3'	<b>277V</b>	<b>SV</b> Silver	<b>CP</b> Chicago Plenum	<b>SW</b> Separate Switch	<b>F</b> Fusing	
<b>SRT-46PER</b> 6" width	<b>BG</b> slot grid	<b>95</b> 950 lm/ft	<b>30</b> 3000k temp 95.2%		<b>4</b> 4'	<b>UNV</b> Universal	<b>BK</b> Black	<b>90 CRI</b> 90 CRI	<b>ADJ</b> Adjustable	<b>DL</b> Damp Location	
	<b>F</b> 1/2" flange	9.5 input watts/ft*			<b>5</b> 5'		<b>CC</b> Custom Color Provide custom color RAL#:	<b>DIMMING OPTIONS (CHOOSE 1)</b>			
<b>FF</b> flange-free sheetrock	* Assumes 4000k w/ satin lens  Lumen Multiplier = % of 4000K  Consult factory for limitations	<b>35</b> 3500k temp 96.8%	<b>DLA2</b> Lutron Hi-lume 1% 2-wire LED driver (120V forward phase only)		<b>DLA3</b> Lutron Hi-lume 1% 3-wire LED driver						
		<b>40</b> 4000k temp 100%	<b>DALI</b> Digitally Addressable Lighting Interface		<b>DIM</b> Dimming: Please specify dimming manufacturer/ model (if required)						
		<b>50</b> 5000k temp 103%	<b>CONTROLS OPTIONS (CHOOSE 1)</b>								
Custom Output		<b>LED</b> lm/ft CCT	<b>OCC</b> Wattstopper occupancy sensor		<b>DPS</b> Wattstopper daylight photo sensor			<b>LVS</b> Lutron Vive integrated fixture sensor (occ+daylight)			
		<b>SRT-43PER</b> : 430-980 lm/ft <b>SRT-44PER</b> : 460-1610 lm/ft <b>SRT-46PER</b> : 490-1710 lm/ft	<b>LVR</b> Lutron Vive integrated fixture sensor (radio only)		<b>ELM</b> Enlighted micro sensor		<b>OES</b> Osram SensiLUM				
			<b>OEC</b> Osram Excelium CLM		<b>OED</b> Osram CLM DEXAL		<b>C110</b> Casambi (1x 010v)				
			<b>C210</b> Casambi (2x 010v)	<b>CRGBW</b> Casambi (RGBW)							

- |  |   |   |
|--|---|---|
| <b>1</b> 60 option available with 40 Fixture Length only | <b>4</b> 10ft aircraft cables with grippers and hourglass sleeves pre-installed. Canopy kits ordered separately | <b>6</b> 10ft Power cord included. 300V 18AWG, 5-Conductor wire |
| <b>2</b> 90 option available with 60 Fixture Length only | <b>5</b> G2 option available with 60 Fixture Length and 90 Lumen Output options only                            | <b>7</b> Power cord not required for G2 mounting option         |
| <b>3</b> A2 option available with 80 Fixture Length only |   |   |



# Forecast Series

3, 4, 6 Perimeter

Customer Name	Date
Project Name	
Catalog Number	

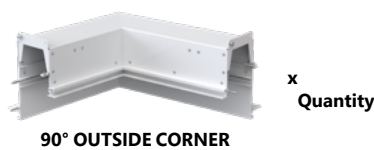
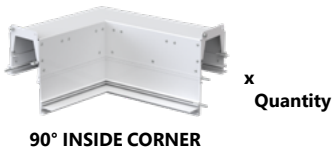
## CONTROLS & SENSORS

Ordering Code	Description
OCC	Wattstopper occupancy sensor
DPS	Wattstopper daylight photo sensor
LVS	Lutron Vive integrated fixture sensor (occ+daylight)
LVR	Lutron Vive integrated fixture sensor (radio only)
ELM	Enlighted micro sensor
OES	Osram SensiLUM
OEC	Osram Encelium CLM
OED	Osram CLM DEXAL
C110	Casambi (1x 010v)
C210	Casambi (2x 010v)
CRGBW	Casambi (RGBW)

## DIMMING OPTIONS

Ordering Code	Description
D10V	0-10V Dimming, 1% power class
DLA2	Lutron Hi-lume 1% 2-1ire LED driver (120V forward phase only)
DLA3	Lutron Hi-lume 1% H EcoSystem LED driver with soft-On, Fade-to-Black
DLA5	Lutron Hi-lume 1% EcoSystem LED driver
DLEH5	Lutron Hi-lume 1% H EcoSystem LED driver with soft-On, Fade-to-Black
DALI	Digitally Addressable Lighting Interface
DIM	Custom Dimming. Please specify dimming manufacturer/model

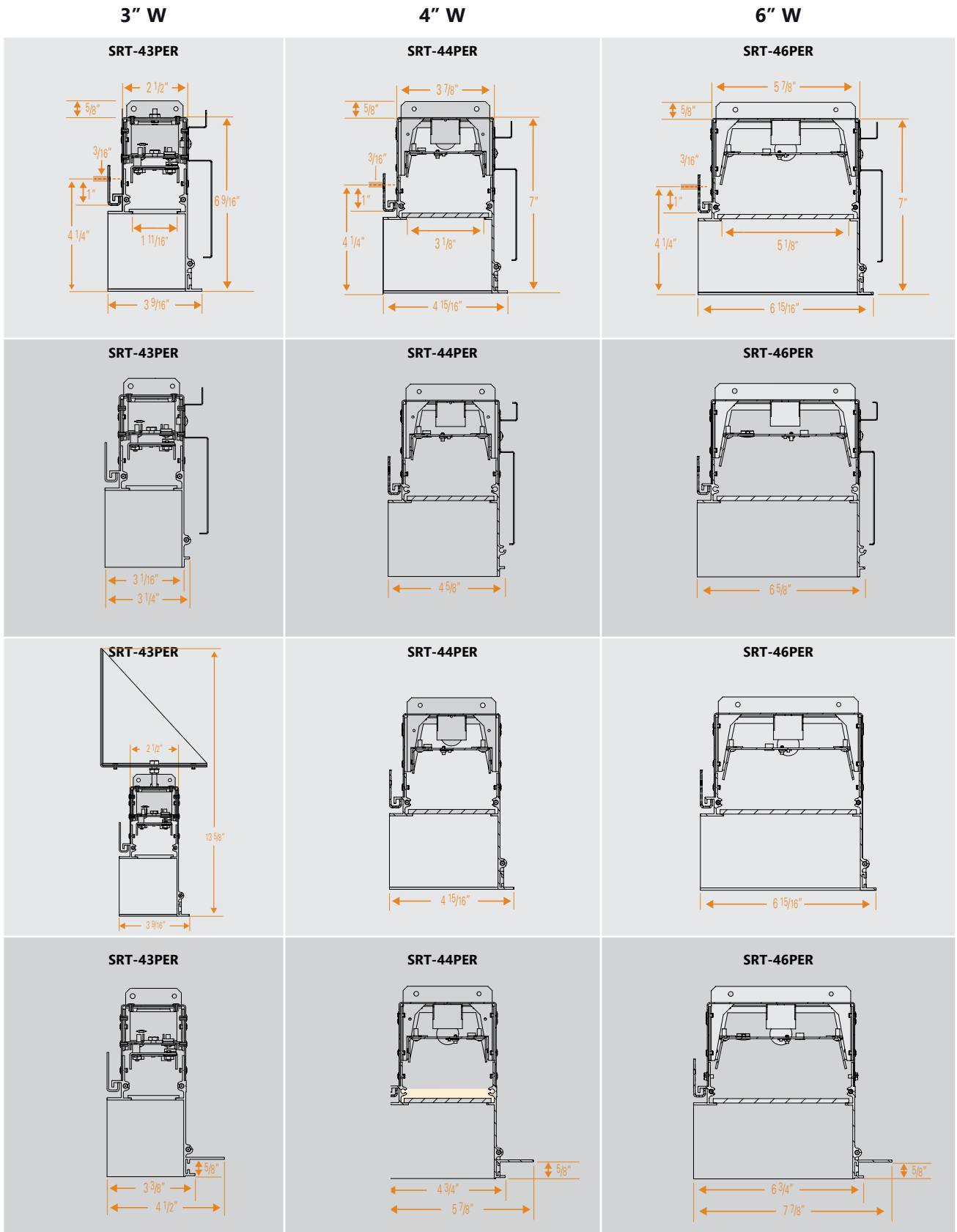
## 2. OPTIONAL ACCESSORIES





Customer Name	Date
Project Name	
Catalog Number	

## Drawings



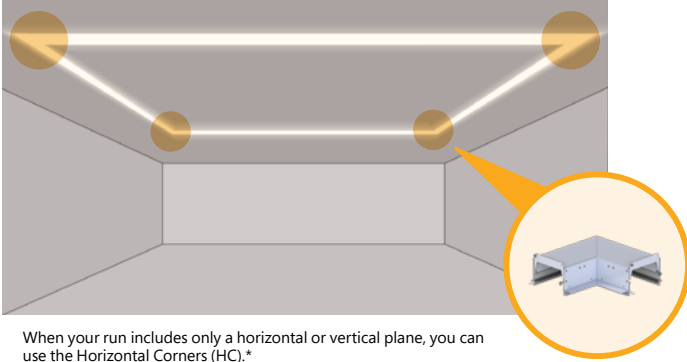


Customer Name	Date
Project Name	
Catalog Number	

## PATTERN WORKSHEET

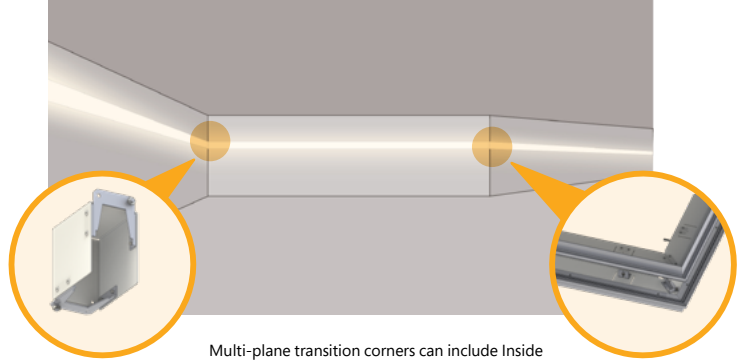
Please use this worksheet to specify your continuous run SRT or SRZ patterns. Please use the next page for all PER patterns.

### Horizontal Corners



When your run includes only a horizontal or vertical plane, you can use the Horizontal Corners (HC).\*

### Multi-plane Transition Corners

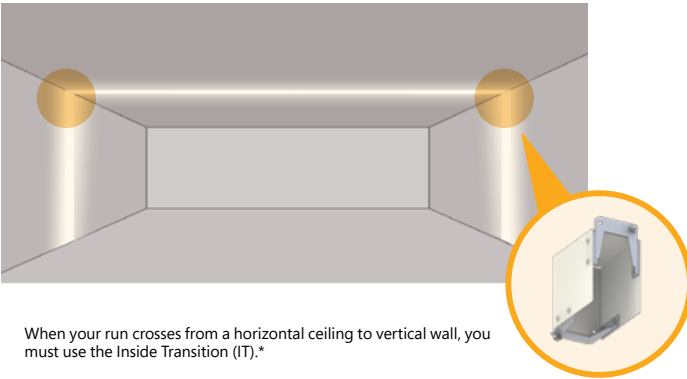


Inside

Multi-plane transition corners can include Inside and Outside Transitions (IT, OT).\*

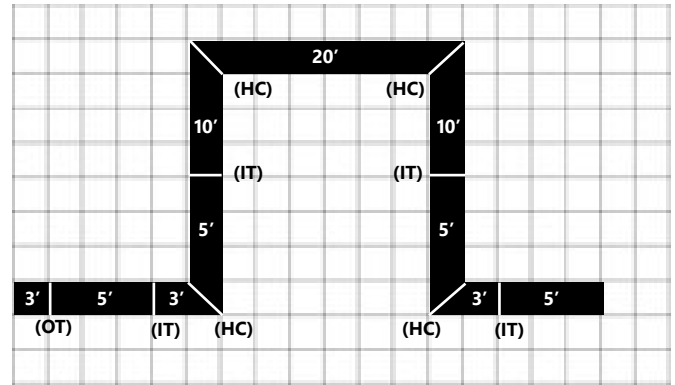
Outside

### Wall-to-Ceiling Transitions Corners



When your run crosses from a horizontal ceiling to vertical wall, you must use the Inside Transition (IT).\*

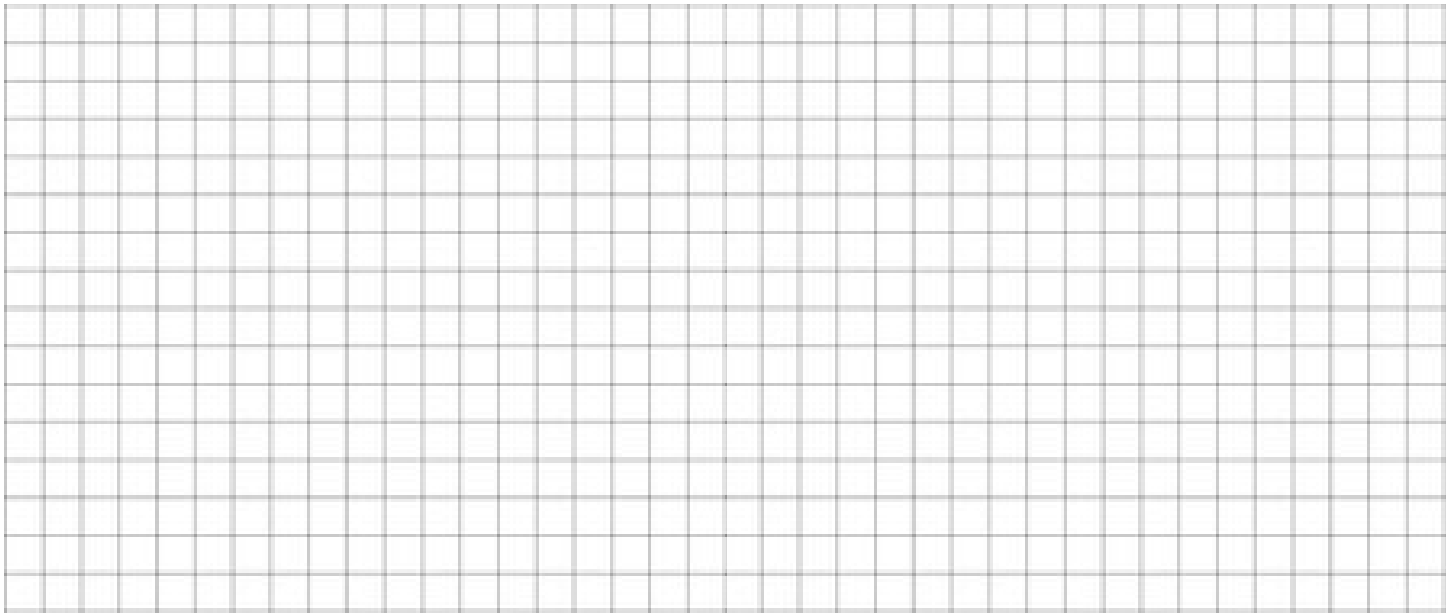
### Example Pattern



OT = 1 HC = 4 IT = 4 Linear Run = 69'

\* Please provide drawings, architectural drawings, or renderings of your pattern/room as well.

Please use the grid below to plan out your linear footage and number of needed corners:



OT =      HC =      IT =      Linear Run =

\* 90 degree standard

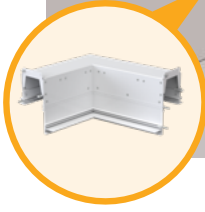
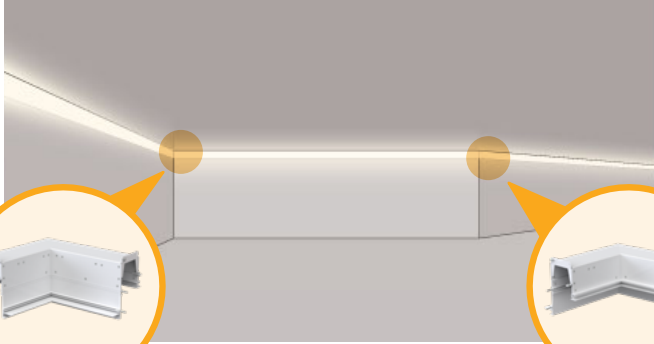


Customer Name	Date
Project Name	
Catalog Number	

## PATTERN WORKSHEET

Please use this worksheet to specify all PER patterns. Please use the previous page for your continuous run SRT or SRZ patterns.

### Perimeter Corners



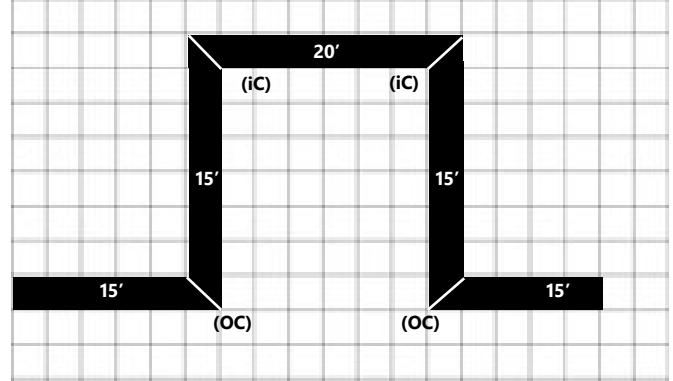
**Inside**



**Outside**

Perimeter corners can include Inside and Outside (IC, OC).\*

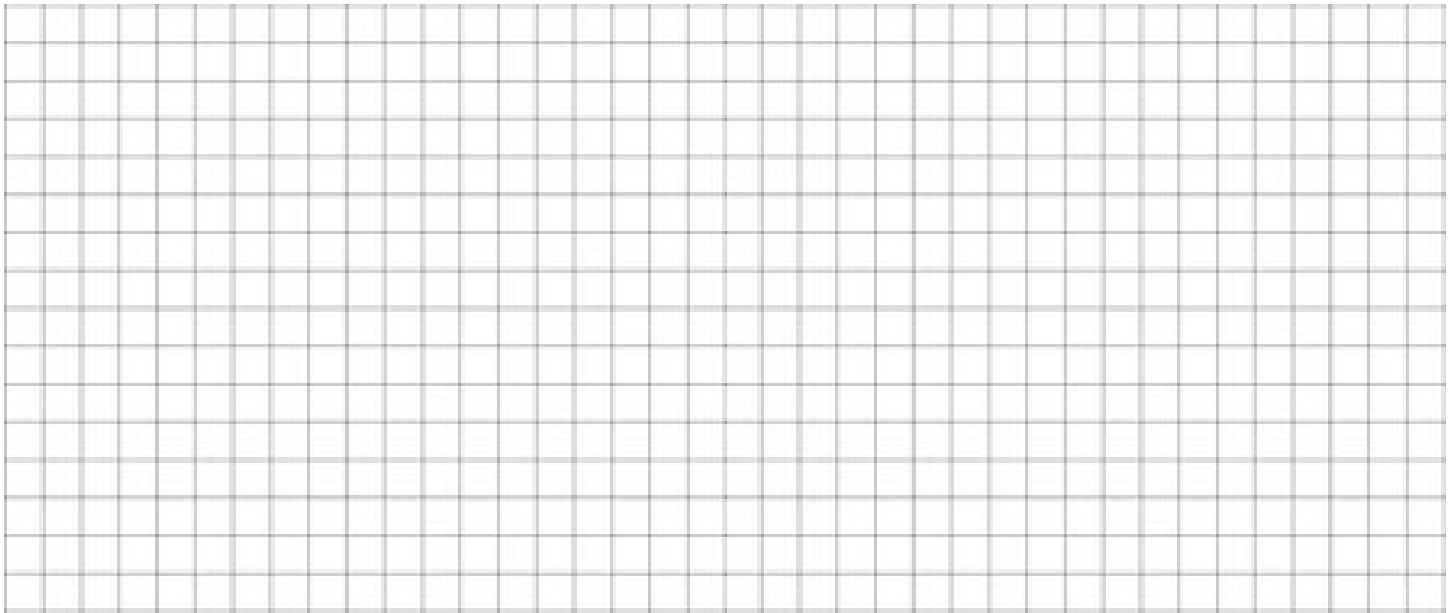
### Example Pattern



OC = 2 IC = 2 Linear Run = 80'

\* Please provide drawings, architectural drawings, or renderings of your pattern/room as well.

Please use the grid below to plan out your linear footage and number of needed corners:



OT = HC = IT = Linear Run =

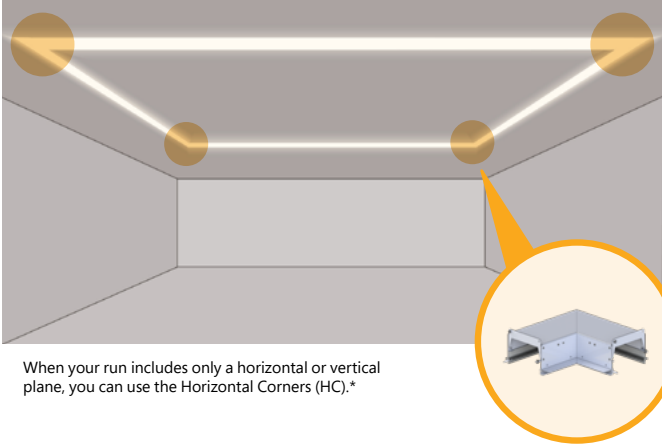
\* 90 degree standard



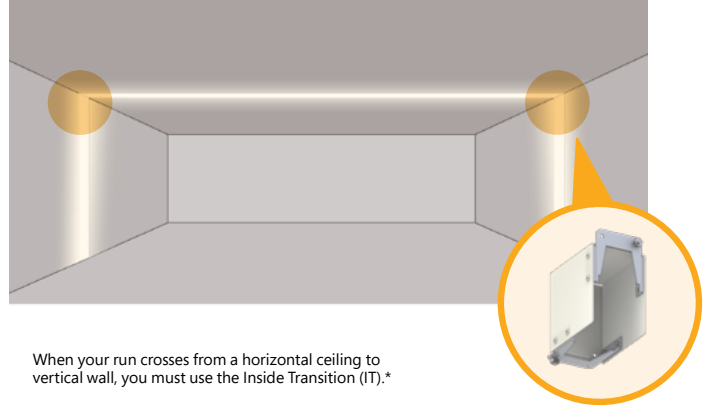
Customer Name	Date
Project Name	
Catalog Number	

## CORNER OPTIONS

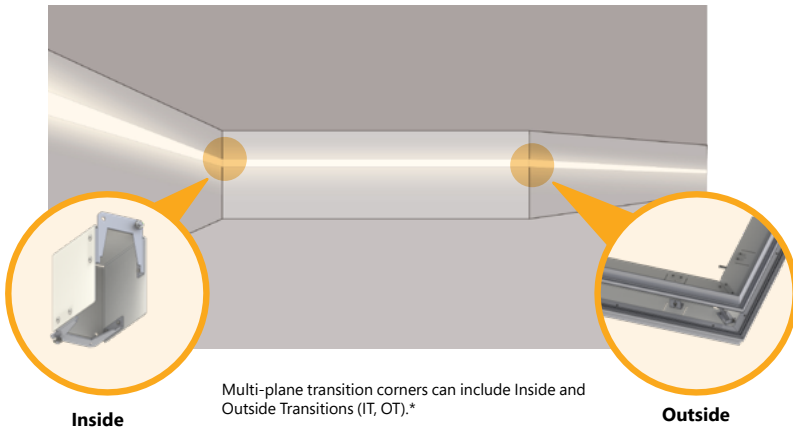
### Horizontal Corners



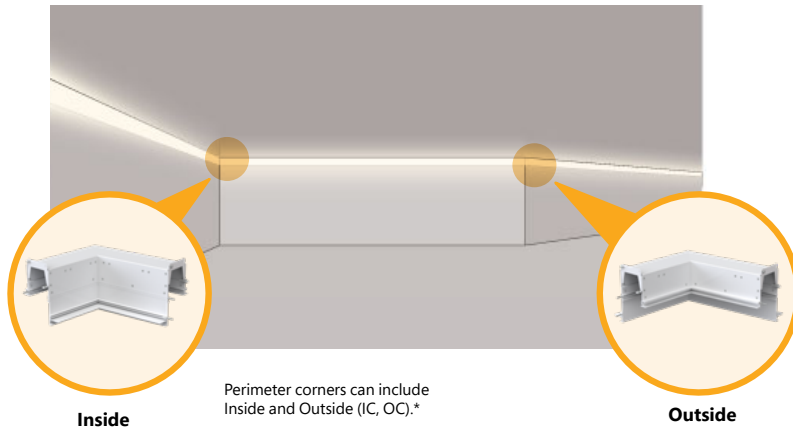
### Wall-to-Ceiling Transitions Corners



### Multi-plane Transition Corners



### Perimeter Corners



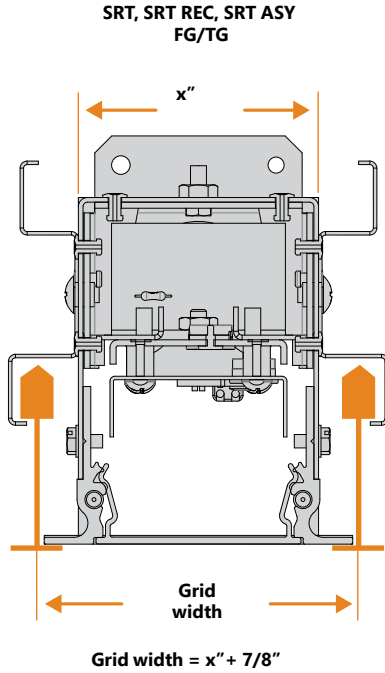
\* 90 degree standard



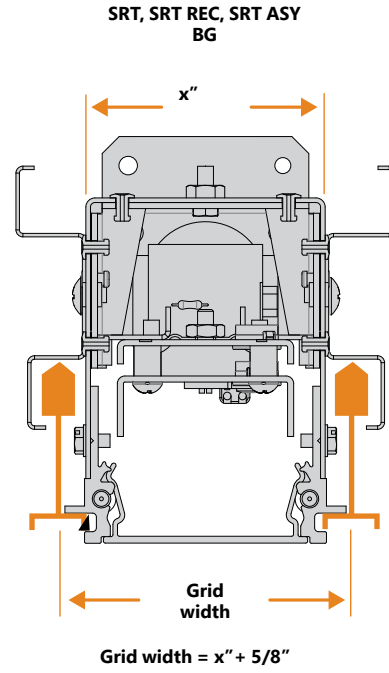
Customer Name	Date
Project Name	
Catalog Number	

## CEILING GRID

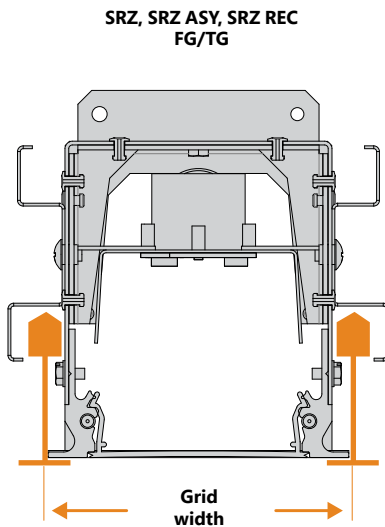
Use the guide below to determine the proper ceiling grid placement for installation of the FG/TG and BG profiles.



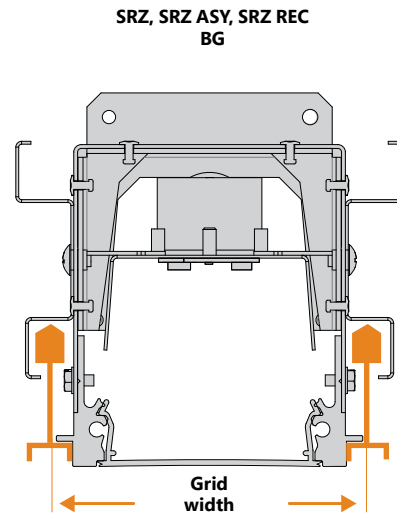
Use the width (x) provided in the charts on pages 5–7 of this document, and add 7/8".



Use the width (x) provided in the charts on pages 5–7 of this document, and add 5/8".



For the SRZ profiles, the ceiling grid width is the next highest whole number in relation to x:  
 SRZ-44 ceiling grid width: = 4"  
 SRZ-46 ceiling grid width: = 6"



For the SRZ profiles, the ceiling grid width is the next highest whole number in relation to x:  
 SRZ-44 ceiling grid width: = 4"  
 SRZ-46 ceiling grid width: = 6"

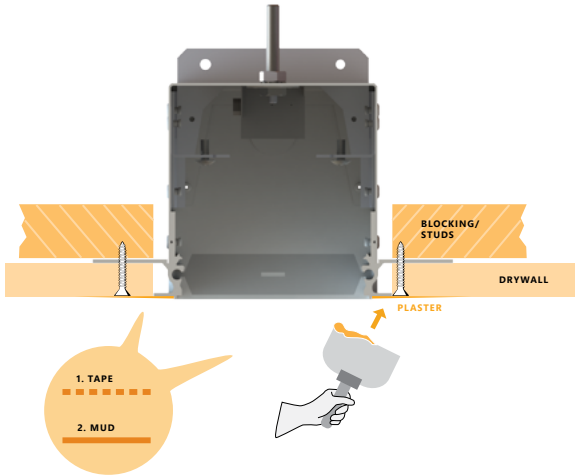


Customer Name	Date
Project Name	
Catalog Number	

## ENVIRONMENT INTERFACE SPECS

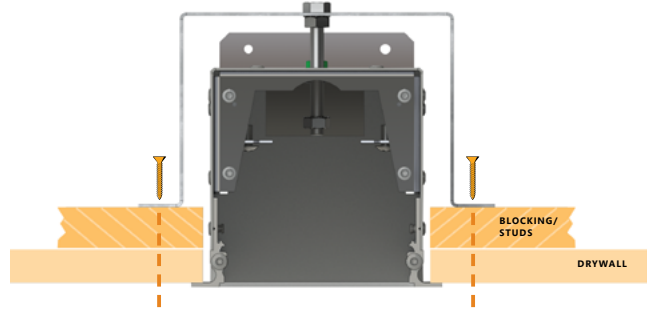
Each Forecast (SRT) series fixture is designed for a specific mounting application. Lamping, wiring, and continuous run assembly is universal across the family of fixture profiles. For more information, please consult complete Installation Instructions, available online.

### FF (Flange-free) installation



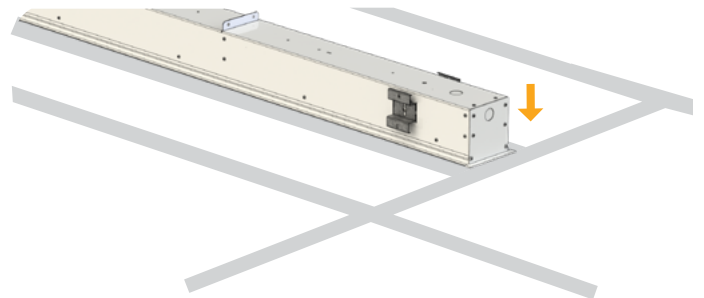
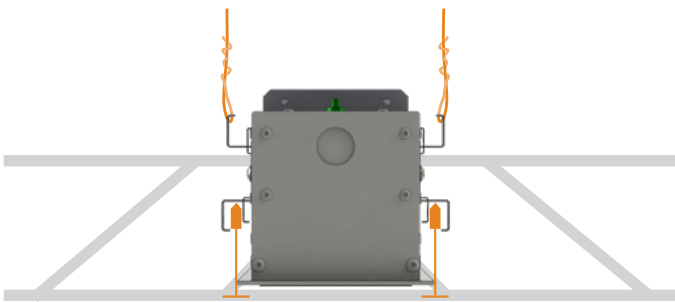
The FF (Flange-Free) fixture is installed prior to drywall installation.

### F (1/2" Overlap) installation



The F (1/2" Overlap) fixture is installed after drywall installation.

### Fg/BG/TG Grid installation



The FG/TG/BG fixture is installed within a ceiling grid system.

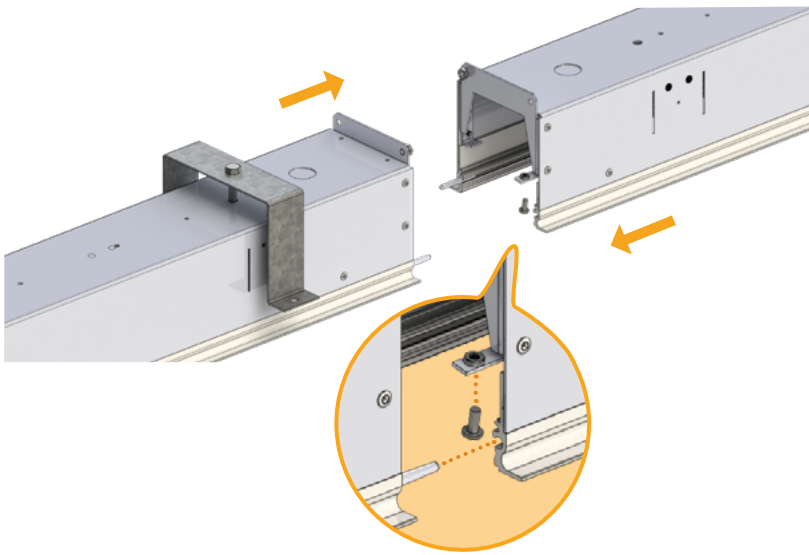




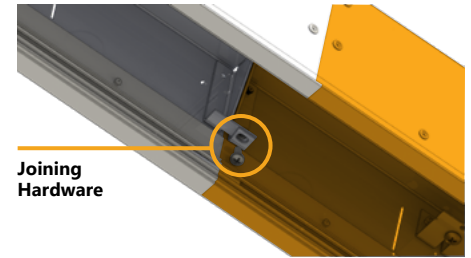
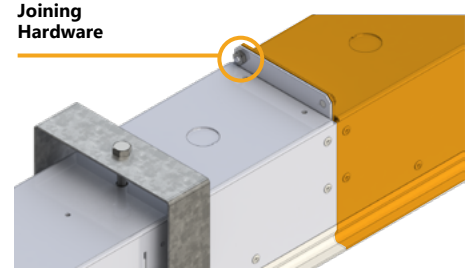
Customer Name	Date
Project Name	
Catalog Number	

## Components and Assembly

### JOINING HARDWARE



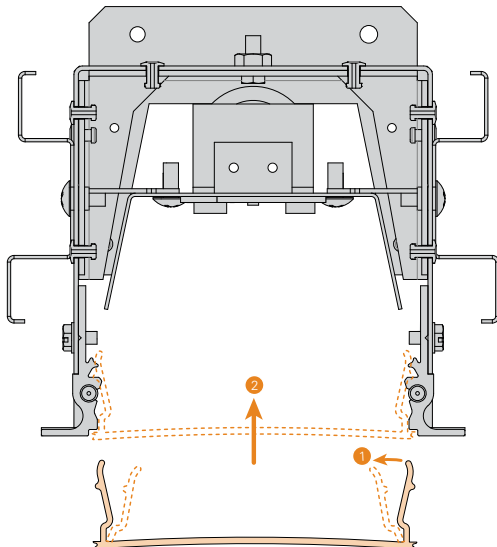
Alignment pins engage the housing profile of the adjoining units. Gasket strips along the exposed faces ensure a true fit and prevent light leak.



Supplied hardware draws the pieces together tightly.

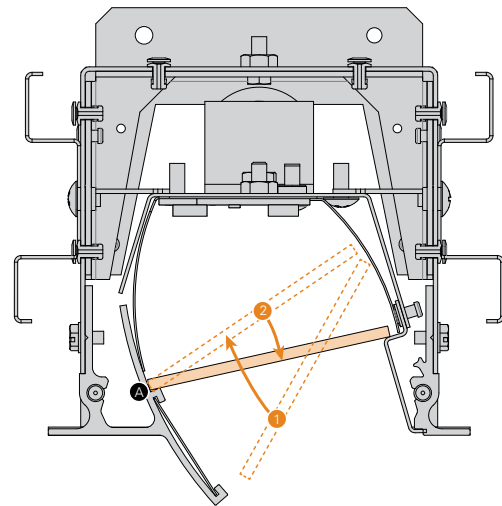
### LENS DETAIL

#### Snap-in Method



For Snap-in Lenses, gently squeeze the sides (1) while lifting into place (2). Lens will snap into position.

#### Lift-and-Shift Method



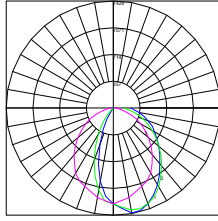
For Lift-and-Shift Lenses (used on Regressed, Perimeter, and Asymmetrical fixtures), lift lens into housing (1), rest on point A, then lower into place (2).



## Photometrics

### Logic/Config Forecast 3 Perimeter

2652 Lumens  
SRT-43PER-TG-65LED40-SAT X 4'-WH



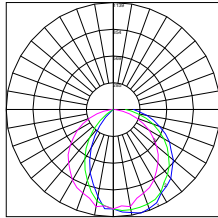
Maximum Candela = 946.13 Located At Horizontal Angle = 45, Vertical Angle = 5  
# 1 - Vertical Plane Through Horizontal Angles (0 - 180)  
# 2 - Vertical Plane Through Horizontal Angles (45 - 225)  
# 3 - Vertical Plane Through Horizontal Angles (90 - 270)

ZONE	LUMENS	% OF FIXTURE
0-20	440.72	16.60
0-30	870.77	32.80
0-40	1318.13	49.70
0-60	2083.37	78.60
0-80	2545.69	96.00
0-90	2651.58	100.00

ZONE	LUMENS	% OF FIXTURE
10-90	2532.24	95.50
20-40	877.41	33.10
20-50	1290.01	48.70
40-70	1040.66	39.20
60-80	462.31	17.40
70-80	186.90	7.00
80-90	105.89	4.00
90-110	0.00	0.00
90-120	0.00	0.00
90-130	0.00	0.00
90-150	0.00	0.00
90-180	0.00	0.00
110-180	0.00	0.00
0-180	2651.58	100.00

### Logic/Config Forecast 4 Perimeter

2676 Lumens  
SRT-44-TG-95LED40-WOL X 4'-WH



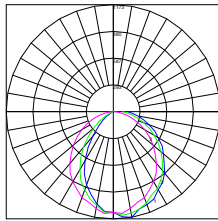
Maximum Candela = 1353.04 Located At Horizontal Angle = 0, Vertical Angle = 0  
# 1 - Vertical Plane Through Horizontal Angles (0 - 180)  
# 2 - Vertical Plane Through Horizontal Angles (45 - 225)  
# 3 - Vertical Plane Through Horizontal Angles (90 - 270)

ZONE	LUMENS	% OF FIXTURE
0-20	377.72	14.10
0-30	782.78	29.30
0-40	1242.78	46.40
0-60	2071.00	77.40
0-80	2569.18	96.00
0-90	2675.94	100.00

ZONE	LUMENS	% OF FIXTURE
10-90	2576.37	96.30
20-40	865.06	32.30
20-50	1312.14	49.00
40-70	1125.99	42.10
60-80	498.18	18.60
70-80	200.40	7.50
80-90	106.77	4.00
90-110	0.00	0.00
90-120	0.00	0.00
90-130	0.00	0.00
90-150	0.00	0.00
90-180	0.00	0.00
110-180	0.00	0.00
0-180	2675.94	100.00

### Logic/Config Forecast 6 Perimeter

2636 Lumens  
SRT-46PER-TG-65LED40-SAT X 4'-WH



Maximum Candela = 1041.21 Located At Horizontal Angle = 0, Vertical Angle = 5  
# 1 - Vertical Plane Through Horizontal Angles (0 - 180)  
# 2 - Vertical Plane Through Horizontal Angles (45 - 225)  
# 3 - Vertical Plane Through Horizontal Angles (90 - 270)

ZONE	LUMENS	% OF FIXTURE
0-20	398.06	15.10
0-30	823.33	31.20
0-40	1301.08	49.40
0-60	2121.9	80.50
0-80	2552.48	96.80
0-90	2635.72	100.00

ZONE	LUMENS	% OF FIXTURE
10-90	2530.54	96.00
20-40	903.02	34.30
20-50	1353.03	51.30
40-70	1086.3	41.20
60-80	430.58	16.30
70-80	165.10	6.30
80-90	83.24	3.20
90-110	0.00	0.00
90-120	0.00	0.00
90-130	0.00	0.00
90-150	0.00	0.00
90-180	0.00	0.00
110-180	0.00	0.00
0-180	2635.72	100.00



# Forecast Series

3, 4, 6 Perimeter

Customer Name	Date
Project Name	
Catalog Number	

## CONSTRUCTION

<b>Housing:</b>	Extruded aluminum, machined endcaps
<b>Lens:</b>	Satin frosted, and white opal lenses.
<b>Optical Assembly:</b>	.040" aluminum in a pre-paint white finish. Fully wired unit remains completely accessible from below via ballast panel.
<b>Paint:</b>	Black, White, Silver, Custom Color

## OPTICAL SYSTEM

<b>Lumens:</b>	430-1710 lm/ft
<b>Distribution:</b>	Direct
<b>Efficacy:</b>	Up to 109 LPW
<b>Wattage:</b>	6.5 - 9.5 watts/ft
<b>CCT:</b>	2700k, 3000K, 3500K, 4000K, 5000K
<b>CRI (Min):</b>	TriGain® 90CRI
<b>R9 (Min):</b>	65
<b>Color Consistency:</b>	2SDCM

## ELECTRICAL

<b>Input Voltage:</b>	120V, 277V, Universal Voltage
<b>Input Frequency:</b>	50/60Hz
<b>Power Factor (PF):</b>	>0.9
<b>Total Harmonic Distortion (THD):</b>	<16% - 120V <20% - 277V
<b>Thermal Protection:</b>	Type IC Inherently Protected
<b>Temperature / Humidity:</b>	Suitable for Damp Locations
<b>Transient Protection:</b>	All Non-Lutron = 2.5KV Lutron = 4KV

## CONTROLS

<b>Dimming:</b>	0-10V 1% power class; Lutron Hi-lume 1% 2-wire LED driver; Lutron Hi-lume 1% 3-wire LED driver; Lutron Hi-lume 1% EcoSystem LED driver; Lutron Hi-lume 1%-H EcoSystem LED driver with soft-On Fade-to-Black; Lutron 5-Series EcoSystem LED driver; Digitally Addressable Lighting Interface; Custom Dimming
-----------------	---

## OPERATING TEMPERATURE

Product	Operating Temperature
<b>STD (Non-EM) Options</b>	-30-25°C (-22-77°F)
<b>3/4/6in w/Battery</b>	0-25°C (32-77°F)

## LUMEN MAINTENANCE

- L70>50K Hours

## MOUNTING

- Recessed
- Hard Ceiling
- Flange-free Sheetrock
- Multiple Tegular Grid Ceiling Options (see pg 7)

## DESIGN LIFE & WARRANTY

- Warranty:**
- LED boards - 5 years
  - LED drivers (standard) - 5 years
  - LED drivers (Lutron) - 3 years



For Product or Technical Questions:

E: INFO@FORUMLIGHTING.COM  
T: +1 412 781 5970