



# Forecast Series

3, 4, 6

The Forecast series by Forum is a line of continuously illuminated recessed luminaires. Forecast's unique hybrid construction features a sheet metal housing with aluminum trim, reducing fixture weight and cost without sacrificing premium fit and finish. Available in 2", 4" and 5 1/2" apertures with various grid and hard ceiling configurations. Current's patented TriGain® phosphor delivers 90 CRI color quality at 80 CRI efficacy.

## Ordering

		LED											
		lm/ft	CCT										
DISTRIBUTION	PROFILE	OUTPUT		SHIELDING	LENGTH	VOLTAGE	FINISH	OPTION 1	OPTION 2	OPTION 3	OPTION 4		
SRT-43 2 1/2" width	FG 9/16" grid	65 650 lm/ft 6.5 input watts/ft*	27 2700k temp 93.5% Special order option	SAT Satin Lens	2 2'	120V	WH White	MR 37W MAX MR Module	EMLED LED battery pk	EC Emergency Circuit			
				WOL White Opal Lens	3 3'						277V	SV Silver	CP Chicago Plenum
SRT-44 4" width	TG 15/16" grid	95 950 lm/ft 9.5 input watts/ft*	30 3000k temp 95.2%	WOP White Opal over Parabolic Baffle	4 4'	UNV Universal	BK Black	90 CRI 90 CRI	ADJ Adjustable	DL Damp Location			
				SAP Satin Lens over Parabolic Baffle	5 5'						CC Custom Color  Provide custom color RAL#:	DIMMING OPTIONS (CHOOSE 1)	
SRT-46 6" width	F 1/2" flange	* Assumes 4000k w/ satin lens  Lumen Multiplier = % of 4000K  Consult factory for limitations	35 3500k temp 96.8%	40 4000k temp 100%	6 6'	7 7'	8 8'	D10V 0-10V dimming 1% power class	DLA2 Lutron Hi-lume 1% 2-wire LED driver (120V forward phase only)	DLA3 Lutron Hi-lume 1% 3-wire LED driver			
												FF flange-free sheetrock	50 5000k temp 103%
Custom Output  LED lm/ft CCT SRT-43 : 430-980 lm/ft SRT-44 : 460-1610 lm/ft SRT-46 : 490-1710 lm/ft		OCC Wattstopper occupancy sensor	DPS Wattstopper daylight photo sensor	LVS Lutron Vive integrated fixture sensor (occ+daylight)									
					LVR Lutron Vive integrated fixture sensor (radio only)	ELM Enlighted micro sensor	OES Osram SensiLUM						
		OEC Osram Encellium CLM	OED Osram CLM DEXAL	C110 Casambi (1x 010v)									
					C210 Casambi (2x 010v)	CRGBW Casambi (RGBW)							

- 1 60 option available with 40 Fixture Length only
- 2 90 option available with 60 Fixture Length only
- 3 A2 option available with 80 Fixture Length only
- 4 10ft aircraft cables with grippers and hourglass sleeves pre-installed. Canopy kits ordered separately
- 5 G2 option available with 60 Fixture Length and 90 Lumen Output options only
- 6 10ft Power cord included. 300V 18AWG, 5-Conductor wire
- 7 Power cord not required for G2 mounting option



# Forecast Series

3, 4, 6

Customer Name	Date
Project Name	
Catalog Number	

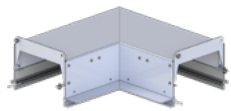
## CONTROLS & SENSORS

Ordering Code	Description
OCC	Wattstopper occupancy sensor
DPS	Wattstopper daylight photo sensor
LVS	Lutron Vive integrated fixture sensor (occ+daylight)
LVR	Lutron Vive integrated fixture sensor (radio only)
ELM	Enlighted micro sensor
OES	Osram SensiLUM
OEC	Osram Encelium CLM
OED	Osram CLM DEXAL
C110	Casambi (1x 010v)
C210	Casambi (2x 010v)
CRGBW	Casambi (RGBW)

## DIMMING OPTIONS

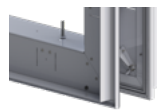
Ordering Code	Description
D10V	0-10V Dimming, 1% power class
DLA2	Lutron Hi-lume 1% 2-1ire LED driver (120V forward phase only)
DLA3	Lutron Hi-lume 1% H EcoSystem LED driver with soft-On, Fade-to-Black
DLA5	Lutron Hi-lume 1% EcoSystem LED driver
DLEH5	Lutron Hi-lume 1% H EcoSystem LED driver with soft-On, Fade-to-Black
DALI	Digitally Addressable Lighting Interface
DIM	Custom Dimming. Please specify dimming manufacturer/model

## 2. OPTIONAL ACCESSORIES



x  
Quantity

90° HORIZONTAL CORNER



x  
Quantity

90° OUTSIDE TRANSITION  
wall to ceiling or multiple planes



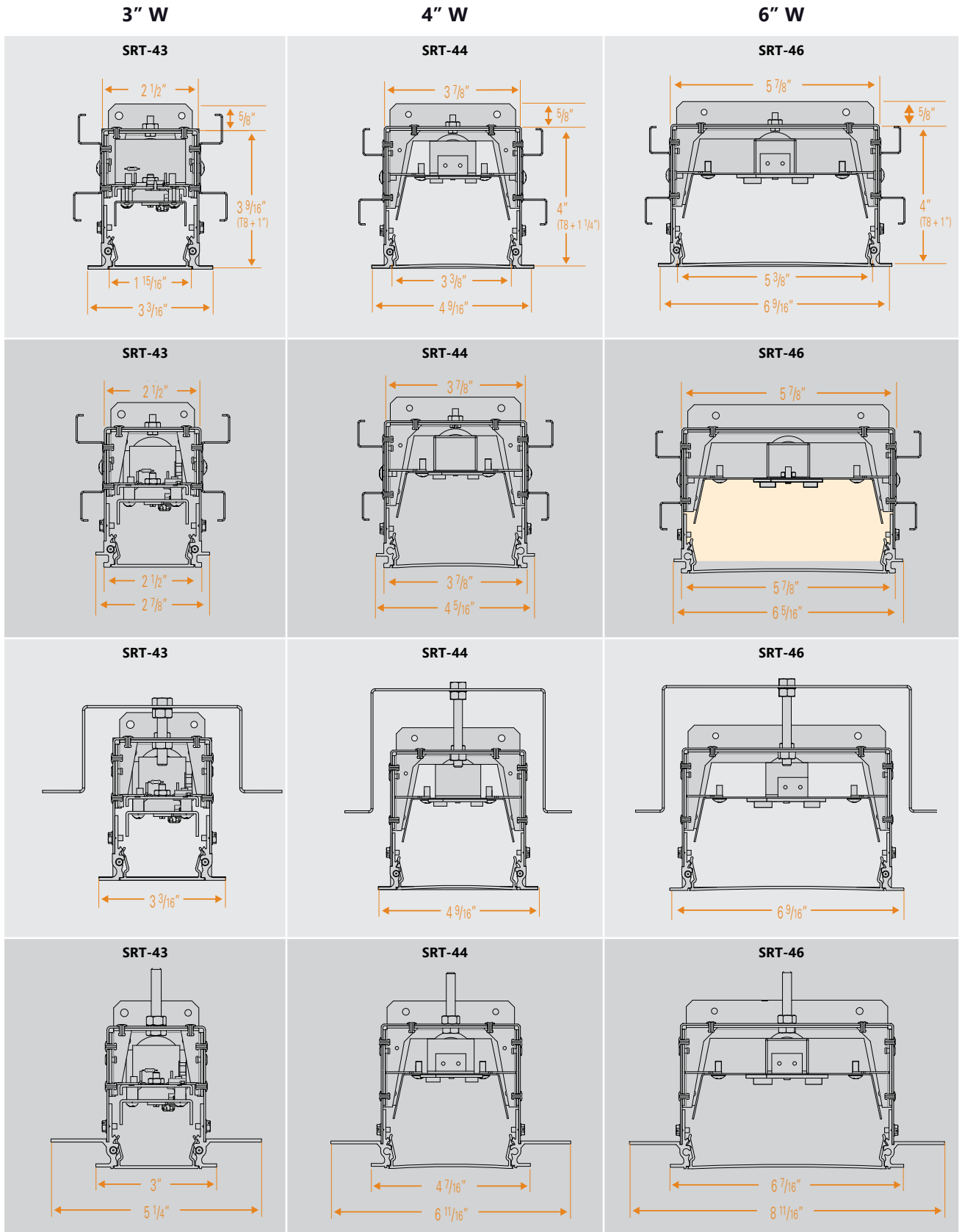
x  
Quantity

90° INSIDE TRANSITION  
wall to ceiling or multiple planes



Customer Name	Date
Project Name	
Catalog Number	

## Drawings



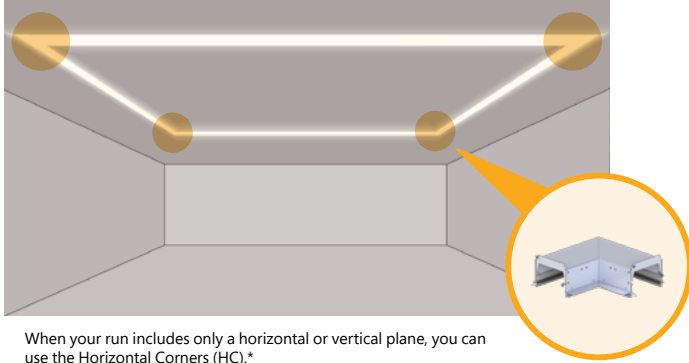


Customer Name	Date
Project Name	
Catalog Number	

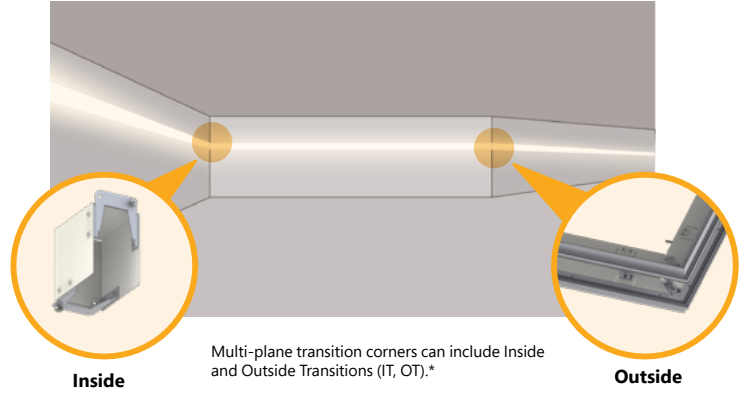
## PATTERN WORKSHEET

Please use this worksheet to specify your continuous run SRT or SRZ patterns. Please use the next page for all PER patterns.

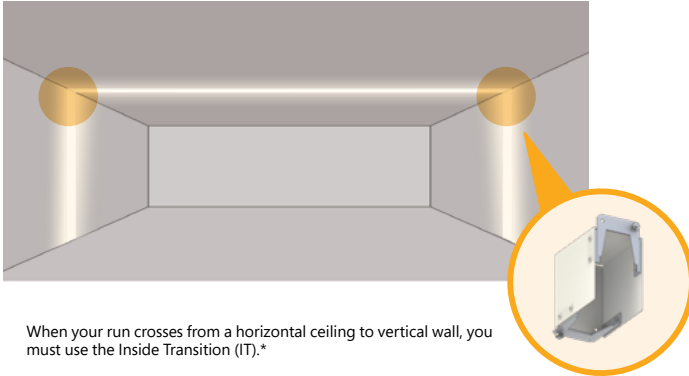
### Horizontal Corners



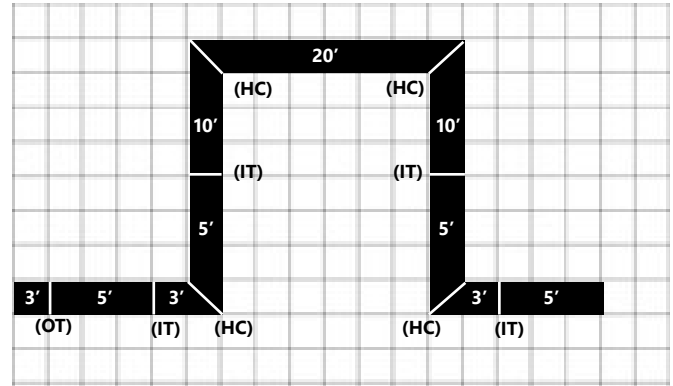
### Multi-plane Transition Corners



### Wall-to-Ceiling Transitions Corners



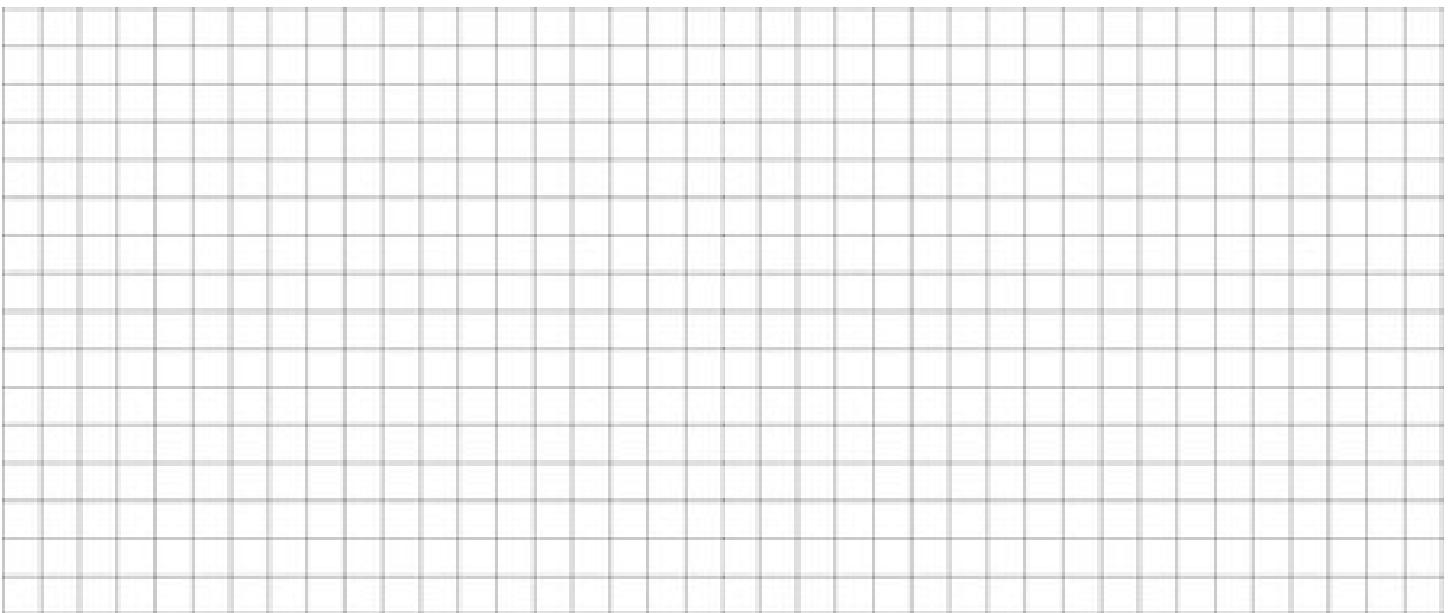
### Example Pattern



OT = 1 HC = 4 IT = 4 Linear Run = 69'

\* Please provide drawings, architectural drawings, or renderings of your pattern/room as well.

Please use the grid below to plan out your linear footage and number of needed corners:



OT =      HC =      IT =      Linear Run =

\* 90 degree standard

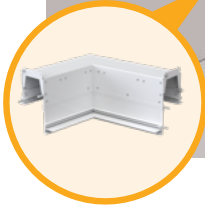
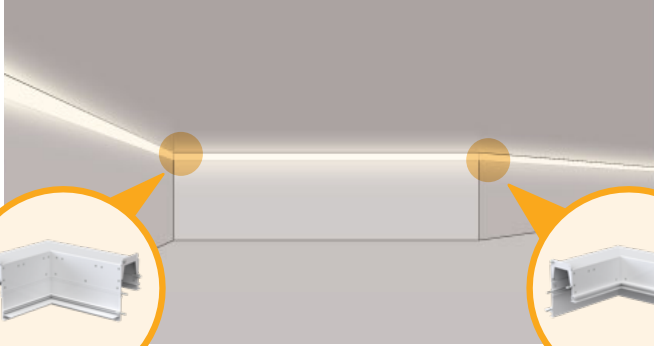


Customer Name	Date
Project Name	
Catalog Number	

## PATTERN WORKSHEET

Please use this worksheet to specify all PER patterns. Please use the previous page for your continuous run SRT or SRZ patterns.

### Perimeter Corners



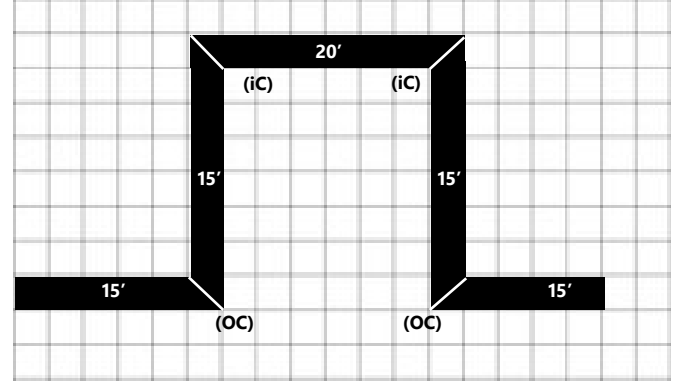
Inside



Outside

Perimeter corners can include Inside and Outside (IC, OC).\*

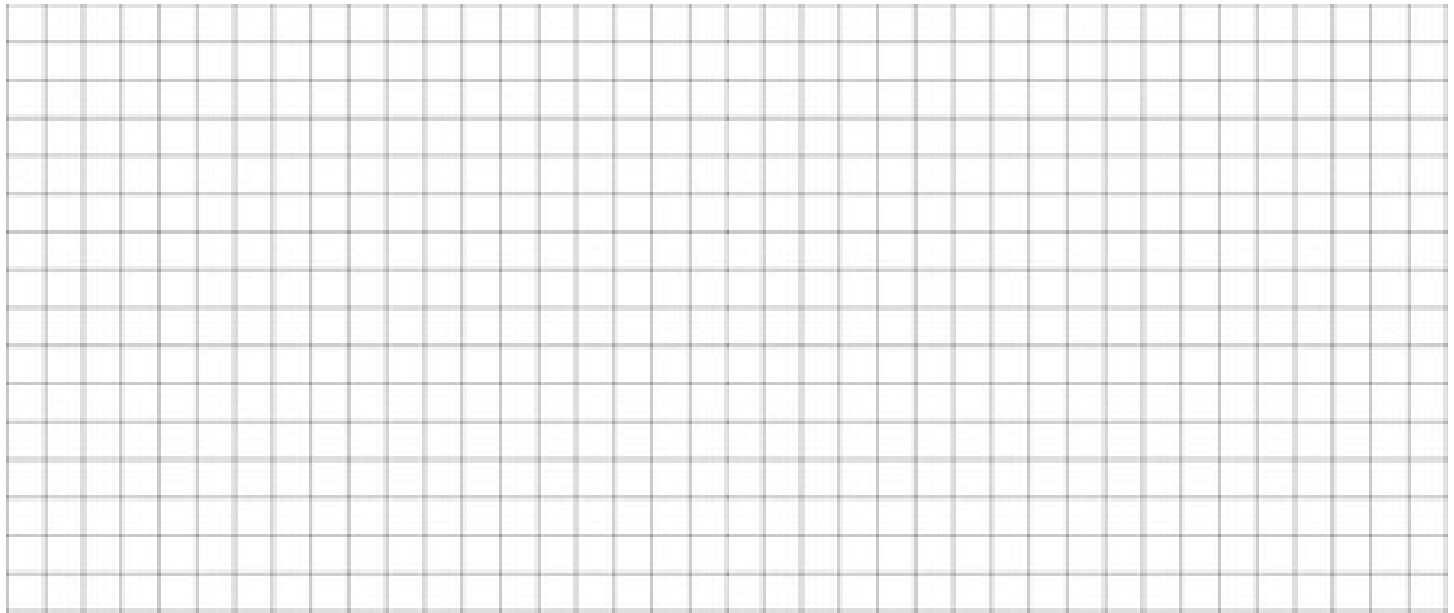
### Example Pattern



OC = 2 IC = 2 Linear Run = 80'

\* Please provide drawings, architectural drawings, or renderings of your pattern/room as well.

Please use the grid below to plan out your linear footage and number of needed corners:



OT =    HC =    IT =    Linear Run =

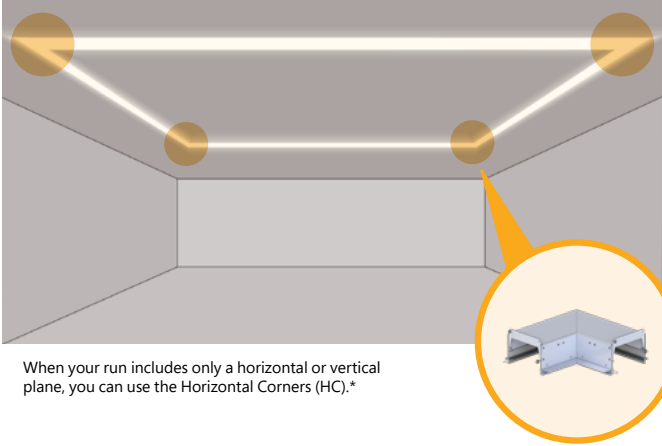
\* 90 degree standard



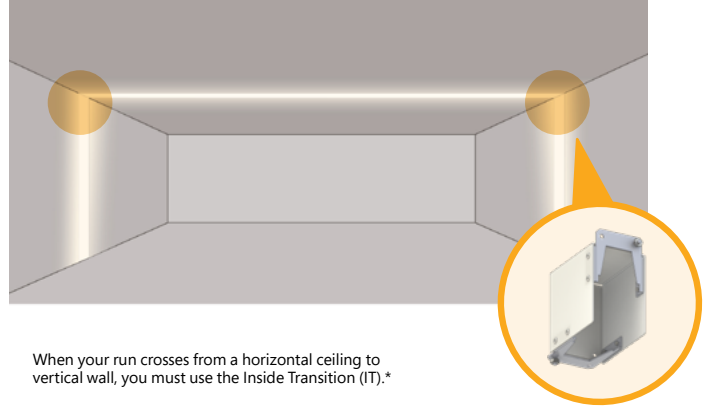
Customer Name	Date
Project Name	
Catalog Number	

## CORNER OPTIONS

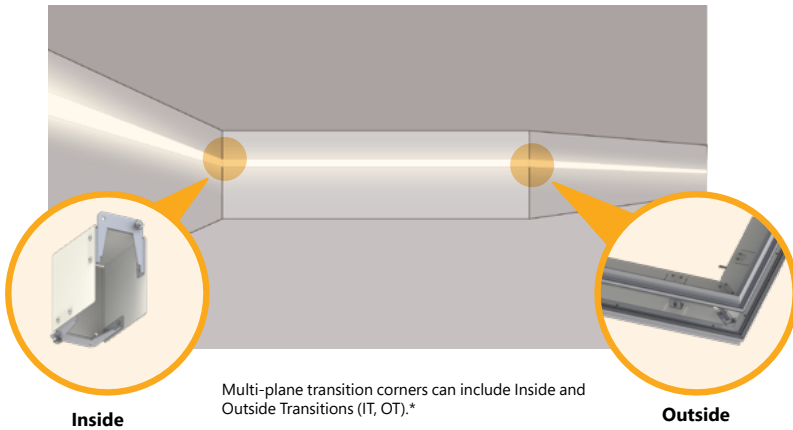
### Horizontal Corners



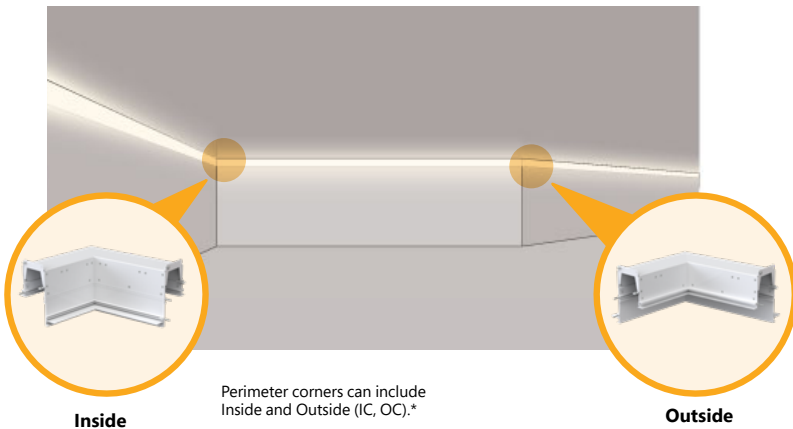
### Wall-to-Ceiling Transitions Corners



### Multi-plane Transition Corners



### Perimeter Corners



\* 90 degree standard

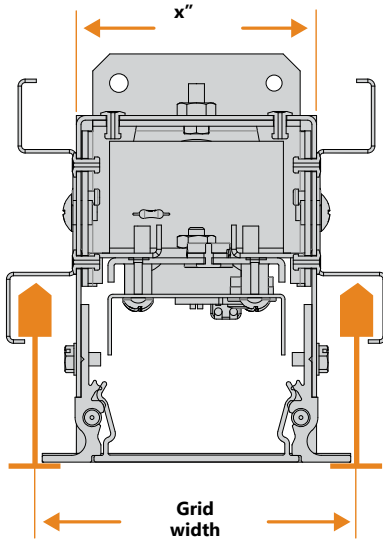


Customer Name	Date
Project Name	
Catalog Number	

## CEILING GRID

Use the guide below to determine the proper ceiling grid placement for installation of the FG/TG and BG profiles.

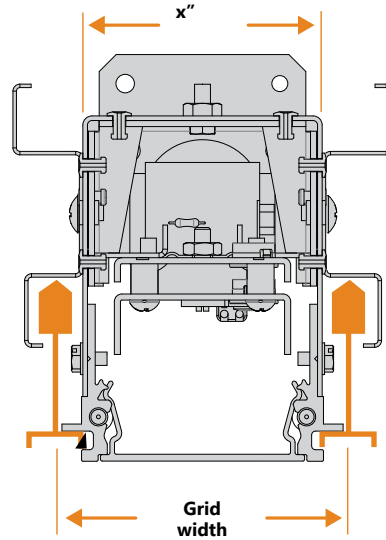
**SRT, SRT REC, SRT ASY  
FG/TG**



**Grid width =  $x'' + 7/8''$**

Use the width (x) provided in the charts on pages 5–7 of this document, and add 7/8".

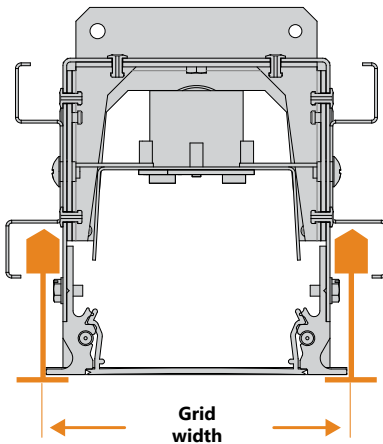
**SRT, SRT REC, SRT ASY  
BG**



**Grid width =  $x'' + 5/8''$**

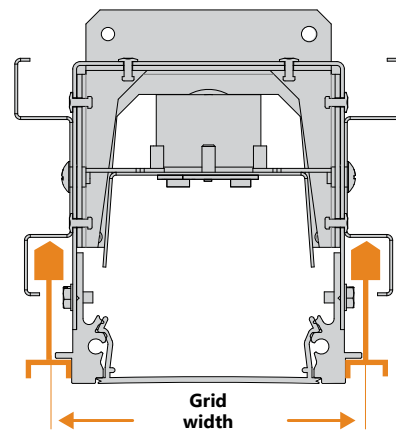
Use the width (x) provided in the charts on pages 5–7 of this document, and add 5/8".

**SRZ, SRZ ASY, SRZ REC  
FG/TG**



For the SRZ profiles, the ceiling grid width is the next highest whole number in relation to x:  
SRZ-44 ceiling grid width: = 4"  
SRZ-46 ceiling grid width: = 6"

**SRZ, SRZ ASY, SRZ REC  
BG**



For the SRZ profiles, the ceiling grid width is the next highest whole number in relation to x:  
SRZ-44 ceiling grid width: = 4"  
SRZ-46 ceiling grid width: = 6"

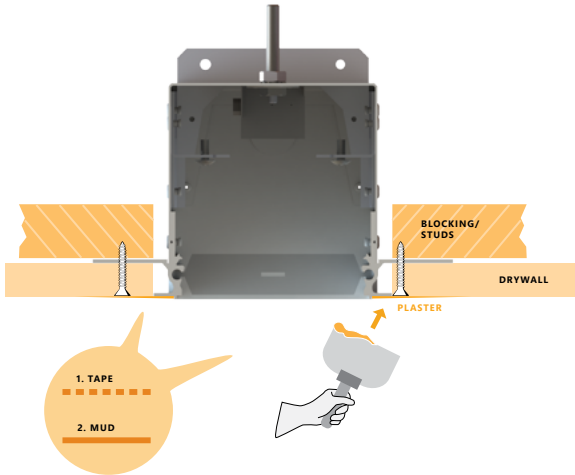


Customer Name	Date
Project Name	
Catalog Number	

## ENVIRONMENT INTERFACE SPECS

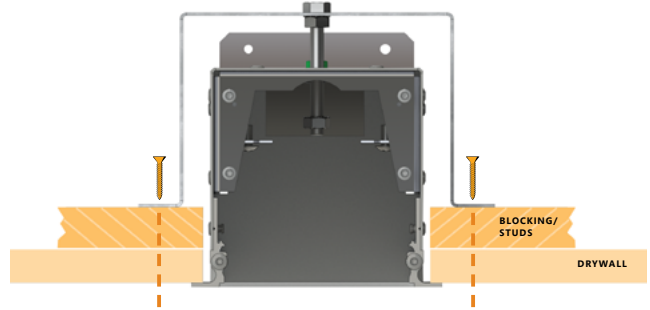
Each Forecast (SRT) series fixture is designed for a specific mounting application. Optical assembly, wiring, and continuous run assembly is universal across the family of fixture profiles. For more information, please consult complete Installation Instructions, available online.

### FF (Flange-free) installation



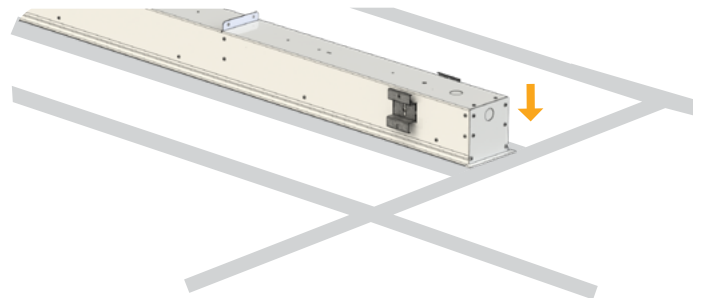
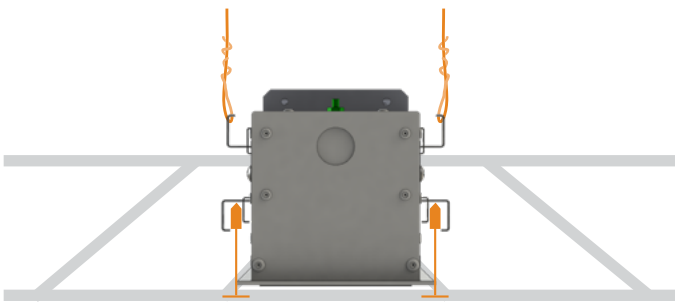
The FF (Flange-Free) fixture is installed prior to drywall installation.

### F (1/2" Overlap) installation



The F (1/2" Overlap) fixture is installed after drywall installation.

### Fg/BG/TG Grid installation



The FG/TG/BG fixture is installed within a ceiling grid system.

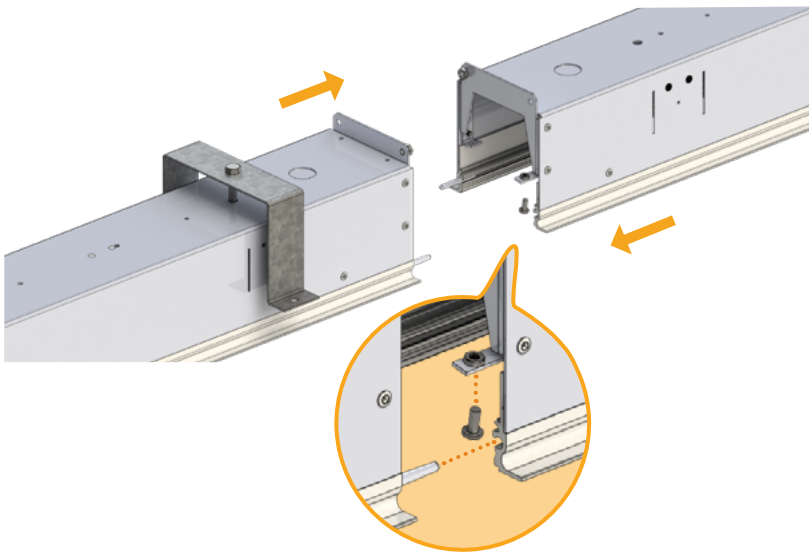




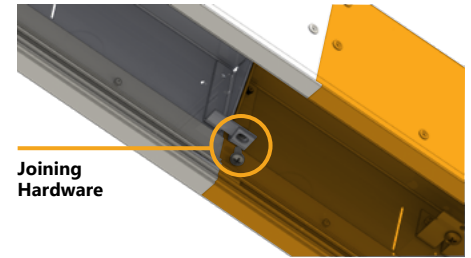
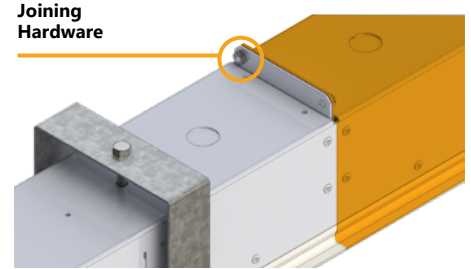
Customer Name	Date
Project Name	
Catalog Number	

## Components and Assembly

### JOINING HARDWARE



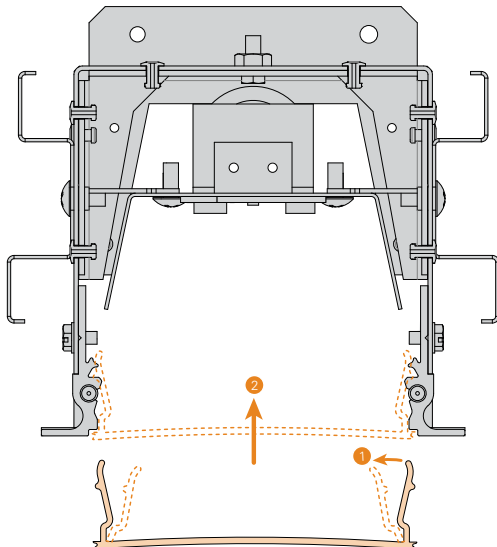
Alignment pins engage the housing profile of the adjoining units. Gasket strips along the exposed faces ensure a true fit and prevent light leak.



Supplied hardware draws the pieces together tightly.

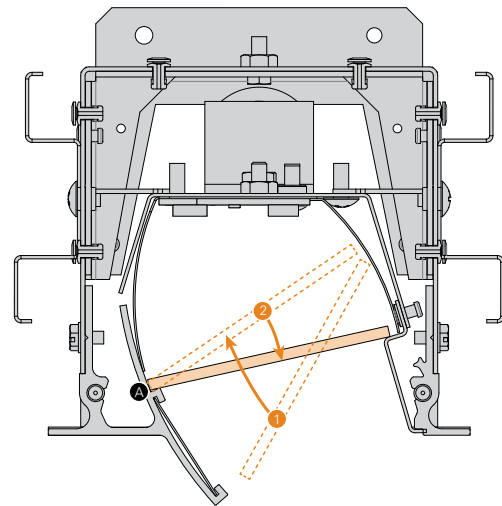
### LENS DETAIL

#### Snap-in Method



For Snap-in Lenses, gently squeeze the sides (1) while lifting into place (2). Lens will snap into position.

#### Lift-and-Shift Method



For Lift-and-Shift Lenses (used on Regressed, Perimeter, and Asymmetrical fixtures), lift lens into housing (1), rest on point A, then lower into place (2).

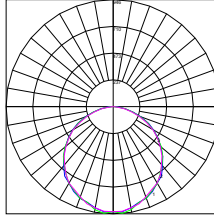


Customer Name	Date
Project Name	
Catalog Number	

### Photometrics

#### Logic/Config Forecast 3

2652 Lumens  
SRT-43PER-TG-65LED40-SAT X 4'-WH



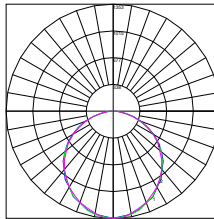
Maximum Candela = 946.13 Located At Horizontal Angle = 45, Vertical Angle = 5  
# 1 - Vertical Plane Through Horizontal Angles (0 - 180)  
# 2 - Vertical Plane Through Horizontal Angles (45 - 225)  
# 3 - Vertical Plane Through Horizontal Angles (90 - 270)

ZONE	LUMENS	% OF FIXTURE
0-20	440.72	16.60
0-30	870.77	32.80
0-40	1318.13	49.70
0-60	2083.37	78.60
0-80	2545.69	96.00
0-90	2651.58	100.00

ZONE	LUMENS	% OF FIXTURE
10-90	2532.24	95.50
20-40	877.41	33.10
20-50	1290.01	48.70
40-70	1040.66	39.20
60-80	462.31	17.40
70-80	186.90	7.00
80-90	105.89	4.00
90-110	0.00	0.00
90-120	0.00	0.00
90-130	0.00	0.00
90-150	0.00	0.00
90-180	0.00	0.00
110-180	0.00	0.00
0-180	2651.58	100.00

#### Logic/Config Forecast 4

3817 Lumens  
SRT-44-TG-95LED40-WOL X 4'-WH



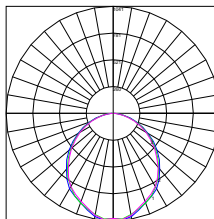
Maximum Candela = 1353.04 Located At Horizontal Angle = 0, Vertical Angle = 0  
# 1 - Vertical Plane Through Horizontal Angles (0 - 180)  
# 2 - Vertical Plane Through Horizontal Angles (45 - 225)  
# 3 - Vertical Plane Through Horizontal Angles (90 - 270)

ZONE	LUMENS	% OF FIXTURE
0-20	487.35	12.80
0-30	1030.62	27.00
0-40	1682.22	44.10
0-60	2978.84	78.00
0-80	3731.73	97.80
0-90	3816.93	100.00

ZONE	LUMENS	% OF FIXTURE
10-90	3689.8	96.70
20-40	1194.87	31.30
20-50	1873.1	49.10
40-70	1773.03	46.50
60-80	752.88	19.70
70-80	276.48	7.20
80-90	85.20	2.20
90-110	0.00	0.00
90-120	0.00	0.00
90-130	0.00	0.00
90-150	0.00	0.00
90-180	0.00	0.00
110-180	0.00	0.00
0-180	3816.93	100.00

#### Logic/Config Forecast 6

2670 Lumens  
SRT-46-TG-65LED40-SAT X 4'-WH



Maximum Candela = 1041.21 Located At Horizontal Angle = 0, Vertical Angle = 5  
# 1 - Vertical Plane Through Horizontal Angles (0 - 180)  
# 2 - Vertical Plane Through Horizontal Angles (45 - 225)  
# 3 - Vertical Plane Through Horizontal Angles (90 - 270)

ZONE	LUMENS	% OF FIXTURE
0-20	370.13	13.90
0-30	776.58	29.10
0-40	1253.7	46.90
0-60	2142.65	80.20
0-80	2617.27	98.00
0-90	2670.35	100.00

ZONE	LUMENS	% OF FIXTURE
10-90	2573.00	96.40
20-40	883.58	33.10
20-50	1360.02	50.90
40-70	1192.51	44.70
60-80	474.62	17.80
70-80	171.06	6.40
80-90	53.07	2.00
90-110	0.00	0.00
90-120	0.00	0.00
90-130	0.00	0.00
90-150	0.00	0.00
90-180	0.00	0.00
110-180	0.00	0.00
0-180	2670.35	100.00



# Forecast Series

3, 4, 6

Customer Name	Date
Project Name	
Catalog Number	

## CONSTRUCTION

<b>Housing:</b>	Extruded aluminum, machined endcaps
<b>Lens:</b>	Satin frosted, and white opal lenses. Aluminum parabolic baffles in a variety of finishes.
<b>Optical Assembly:</b>	.040" aluminum in a pre-paint white finish. Fully wired unit remains completely accessible from below via ballast panel.
<b>Paint:</b>	Black, White, Silver, Custom Color

## OPTICAL SYSTEM

<b>Lumens:</b>	430-1710 lm/ft
<b>Distribution:</b>	Direct
<b>Efficacy:</b>	Up to 117 LPW
<b>Wattage:</b>	6.5 - 9.5 watts/ft
<b>CCT:</b>	2700k, 3000K, 3500K, 4000K, 5000K
<b>CRI (Min):</b>	TriGain® 90CRI
<b>R9 (Min):</b>	65
<b>Color Consistency:</b>	2SDCM

## ELECTRICAL

<b>Input Voltage:</b>	120V, 277V, Universal Voltage
<b>Input Frequency:</b>	50/60Hz
<b>Power Factor (PF):</b>	>0.9
<b>Total Harmonic Distortion (THD):</b>	<16% - 120V <20% - 277V
<b>Thermal Protection:</b>	Type IC Inherently Protected
<b>Temperature / Humidity:</b>	Suitable for Damp Locations
<b>Transient Protection:</b>	All Non-Lutron = 2.5KV Lutron = 4KV

## CONTROLS

<b>Dimming:</b>	0-10V 1% power class; Lutron Hi-lume 1% 2-wire LED driver; Lutron Hi-lume 1% 3-wire LED driver; Lutron Hi-lume 1% EcoSystem LED driver; Lutron Hi-lume 1%-H EcoSystem LED driver with soft-On Fade-to-Black; Lutron 5-Series EcoSystem LED driver; Digitally Addressable Lighting Interface; Custom Dimming
-----------------	---

## OPERATING TEMPERATURE

Product	Operating Temperature
<b>STD (Non-EM) Options</b>	-30-25°C (-22-77°F)
<b>3/4/6in w/Battery</b>	0-25°C (32-77°F)

## LUMEN MAINTENANCE

- L70>50K Hours

## MOUNTING

- Recessed
- Hard Ceiling
- Flange-free Sheetrock
- Multiple Tegular Grid Ceiling Options (see pg 7)

## DESIGN LIFE & WARRANTY

- Warranty:**
- LED boards - 5 years
  - LED drivers (standard) - 5 years
  - LED drivers (Lutron) - 3 years



For Product or Technical Questions:

E: INFO@FORUMLIGHTING.COM  
T: +1 412 781 5970