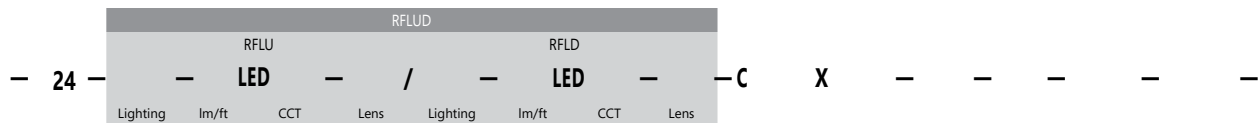


# Reflection Series

4

The Reflection series by Forum is a minimal suspended rectilinear suspended luminaire, available in pendant or continuous configurations. Reflection's adaptable design provides numerous distribution and output configurations and simplifies the specification and installation processes. Reflection is unrivaled in performance and design in its respective category. Current's patented TriGain® phosphor delivers 90 CRI color quality at 80 CRI efficacy.

## Ordering



DISTRIBUTION	PROFILE	LIGHTING	OUTPUT	SHIELDING	MOUNTING	LENGTH	VOLTAGE	FINISH	OPTION 1	OPTION 2	OPTION 3
<b>RFLD</b> Direct	<b>24</b> 2 1/8" height	<b>S</b> Single Row	<b>65</b> 650 lm/ft	<b>27</b> 2700k temp 93.5% Special order option	<b>SAT</b> Satin Lens	<b>C</b> Cable Mount	<b>3</b> 3'	<b>120V</b>	<b>WH</b> White	<b>EMLED</b> LED battery pk	<b>SW</b> Separate Switch
<b>RFLU</b> Indirect		<b>D</b> Dual Row*	<b>95</b> 950 lm/ft	<b>30</b> 3000k temp 95.2%	<b>WOL</b> White Opal Lens	<b>STANDARD LENGTHS</b>	<b>4</b> 4'	<b>277V</b>	<b>SV</b> Silver	<b>EC</b> Emergency Circuit	<b>F</b> Fusing
<b>RFLUD</b> Direct/Indirect		<b>A</b> Asymmetrical*			<b>18"</b> 6'	<b>UNV</b> Universal	<b>BK</b> Black		<b>DIMMING OPTIONS (CHOOSE 1)</b>		
		<b>NA</b> None	<b>110</b> 1100 lm/ft	<b>35</b> 3500k temp 96.8%	<b>CFA</b> Clear Frosted Acrylic*		<b>24"</b> 8'	<b>CC</b> Custom Color	<b>D10V</b> 0-10V dimming 1% power class	<b>DLA2</b> Lutron Hi-lume 1% 2-wire LED driver (120V forward phase only)	
		*Available in indirect ONLY	<b>170</b> 1700 lm/ft	<b>40</b> 4000k temp 100%	* Available in indirect only	<b>48"</b> <b>XX</b> XX Spec. run length in multiples of 3' and/or 4':	Custom Color Available. Provide RAL# (required).		<b>DLA3</b> Lutron Hi-lume 1% 3-wire LED driver	<b>DLA5</b> Lutron Hi-lume 1% EcoSystem LED driver	
				<b>50</b> 5000k temp 103%		<b>72"</b>		Setup fees apply.	<b>DLEH5</b> Lutron Hi-lume 1%-H EcoSystem LED driver with soft-On, Fade-to-Black	<b>DALI</b> Digitally Addressable Lighting Interface	
				Custom Output (consult factory for min/max)		<b>96"</b>	<b>DIM</b> Dimming: Please specify dimming manufacturer/model (if required)				
			<b>LED</b> lm/ft CCT *Special order only		<b>120"</b>	<b>CONTROLS OPTIONS (CHOOSE 1)</b>					
					* Spec. cable / stem length:	Individual units cannot be joined in field to create runs.	<b>LVP</b> Lutron - Vive power pak	<b>C110</b> Casambi (1x 010v)r			
							<b>C210</b> Casambi (2x 010v)	<b>CRGBW</b> Casambi (RGBW)			

- 1 60 option available with 40 Fixture Length only
- 2 90 option available with 60 Fixture Length only
- 3 A2 option available with 80 Fixture Length only

- 4 10ft aircraft cables with grippers and hourglass sleeves pre-installed. Canopy kits ordered separately
- 5 G2 option available with 60 Fixture Length and 90 Lumen Output options only

- 6 10ft Power cord included. 300V 18AWG, 5-Conductor wire
- 7 Power cord not required for G2 mounting option



Customer Name	Date
Project Name	
Catalog Number	

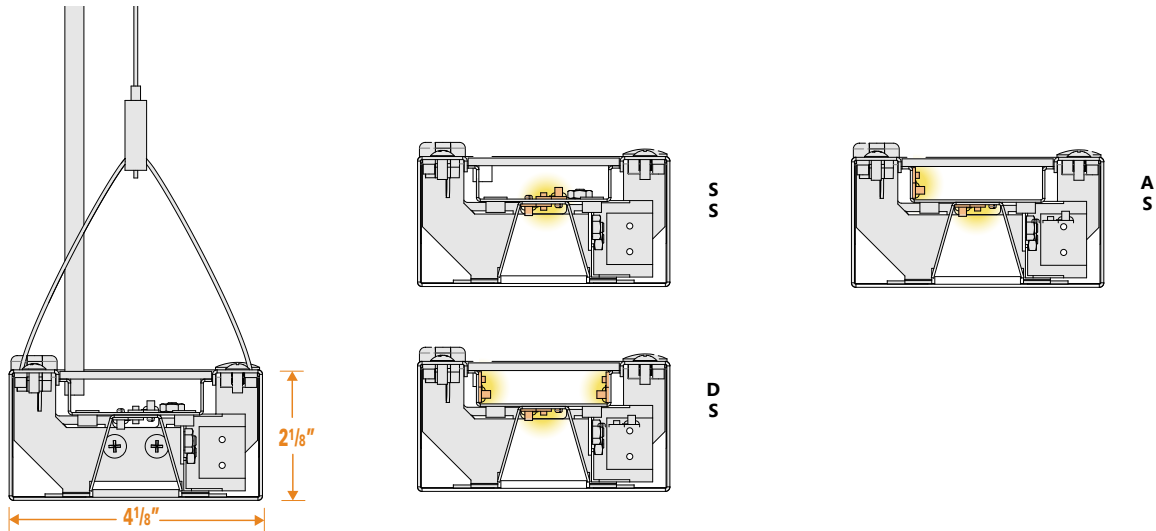
## CONTROLS & SENSORS

Ordering Code	Description
LVP	Lutron - Vive power pak
C110	Casambi (1x 010v)
C210	Casambi (2x 010v)
CRGBW	Casambi (RGBW)

## DIMMING OPTIONS

Ordering Code	Description
D10V	0-10V Dimming, 1% power class
DLA2	Lutron Hi-lume 1% 2-tire LED driver (120V forward phase only)
DLA3	Lutron Hi-lume 1% H EcoSystem LED driver with soft-On, Fade-to-Black
DLA5	Lutron Hi-lume 1% EcoSystem LED driver
DLEH5	Lutron Hi-lume 1% H EcoSystem LED driver with soft-On, Fade-to-Black
DALI	Digitally Addressable Lighting Interface
DIM	Custom Dimming. Please specify dimming manufacturer/model

## DRAWINGS



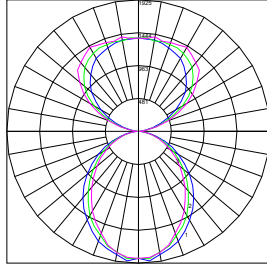


Customer Name	Date
Project Name	
Catalog Number	

## Photometrics

### Logic/Config 4' REFLECTION

8906 Lumens  
RFLUD-24-D-110LED40-CFA+S-  
110LED40-SAT-CXX X 4-UNV



Maximum Candela = 1925.4 Located At Horizontal Angle = 22.5, Vertical Angle = 5  
 # 1 - Vertical Plane Through Horizontal Angles (0 - 180)  
 # 2 - Vertical Plane Through Horizontal Angles (45 - 225)  
 # 3 - Vertical Plane Through Horizontal Angles (90 - 270)

ZONE	LUMENS	% OF FIXTURE
0-20	665.16	7.50
0-30	1372.18	15.40
0-40	2175.57	24.40
0-60	3614.12	40.60
0-80	4352.22	48.90
0-90	4428.71	49.70

ZONE	LUMENS	% OF FIXTURE
10-90	4251.66	47.70
20-40	1510.42	17.00
20-50	2290.65	25.70
40-70	1914.74	21.50
60-80	738.10	8.30
70-80	261.91	2.90
80-90	76.49	0.90
90-110	330.98	3.70
90-120	897.51	10.10
90-130	1686.17	18.90
90-150	3346.64	37.60
90-180	4476.8	50.30
110-180	4145.82	46.60
0-180	8905.51	100.00



# Reflection Series

4

Customer Name	Date
Project Name	
Catalog Number	

## CONSTRUCTION

<b>Housing:</b>	18 gauge steel housing, machined endcaps
<b>Lens:</b>	Satin frosted, white opal, and clear frosted acrylic lenses.
<b>Optical Assembly:</b>	.040" aluminum in a pre-paint white finish. Fully wired unit remains completely accessible from below via ballast panel.
<b>Paint:</b>	Black, White, Silver, Custom Color

## OPTICAL SYSTEM

<b>Lumens:</b>	650-1700 lm/ft
<b>Distribution:</b>	Direct (RFLD), Indirect (RFLU), and Direct/Indirect (RFLUD)
<b>Efficacy:</b>	U-A: 114-118 LPW UD-D: 101-105 LPW UD-S: 100-110 LPW (80CRI/40K)
<b>Wattage:</b>	6.5 - 9.5 watts/ft
<b>CCT:</b>	2700k, 3000K, 3500K, 4000K, 5000K
<b>CRI (Min):</b>	TriGain® 90CRI
<b>R9 (Min):</b>	65
<b>Color Consistency:</b>	2SDCM

## ELECTRICAL

<b>Input Voltage:</b>	120V, 277V, Universal Voltage
<b>Input Frequency:</b>	50/60Hz
<b>Power Factor (PF):</b>	>0.9
<b>Total Harmonic Distortion (THD):</b>	<16% - 120V <20% - 277V
<b>Temperature / Humidity:</b>	Suitable for Damp Locations
<b>Transient Protection:</b>	All Non-Lutron = 2.5KV Lutron = 4KV

## CONTROLS

<b>Dimming:</b>	0-10V 1% power class; Lutron Hi-lume 1% 2-wire LED driver; Lutron Hi-lume 1% 3-wire LED driver; Lutron Hi-lume 1% EcoSystem LED driver; Lutron Hi-lume 1%-H EcoSystem LED driver with soft-On Fade-to-Black; Lutron 5-Series EcoSystem LED driver; Digitally Addressable Lighting Interface; Custom Dimming
-----------------	---

## LUMEN MAINTENANCE

- L70>50K Hours

## MOUNTING

- C - Cable Mount
- H - Stem Mount
- W - Wall Bracket Mount
- S - Surface Mount (available in SAD only)

## DESIGN LIFE & WARRANTY

- Warranty:**
- LED boards - 5 years
  - LED drivers (standard) - 5 years
  - LED drivers (Lutron) - 3 years



For Product or Technical Questions:

E: INFO@FORUMLIGHTING.COM  
T: +1 412 781 5970